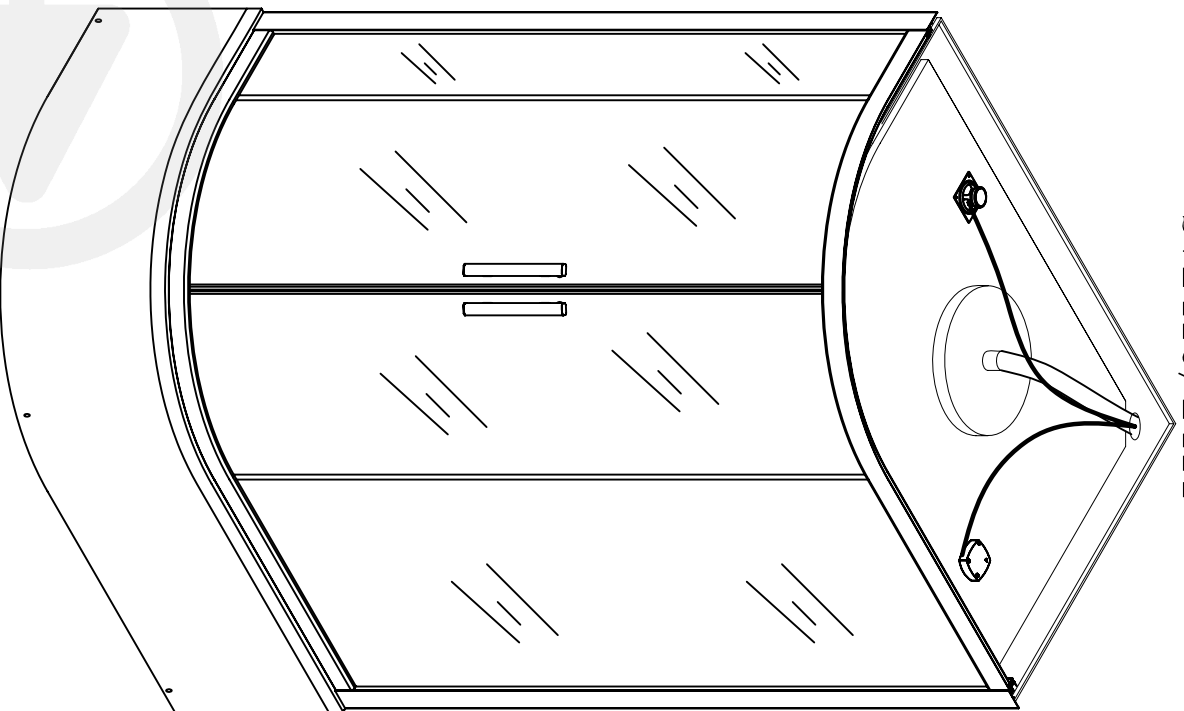
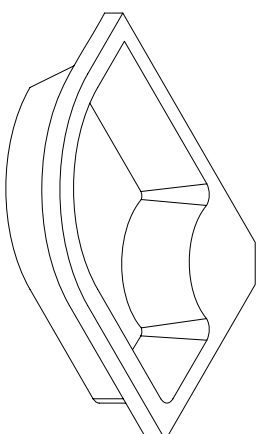


SV1410/1411 SV2410/2411



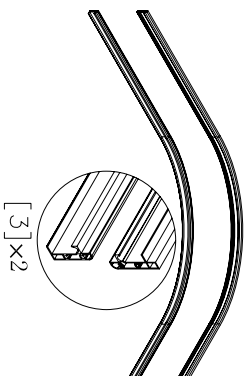
- (A)
- (B)
- (C)
- (D)
- (E)
- (F)
- (G)



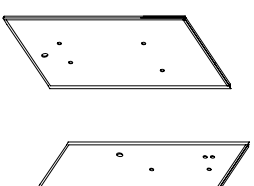
[1]x1



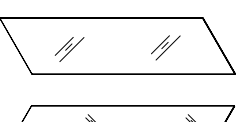
[2]x1



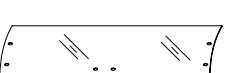
[3]x2



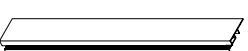
[5]x2



[6]x2



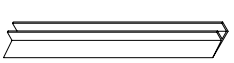
[7]x2



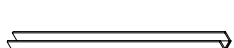
[8]x2



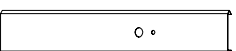
[9]x1



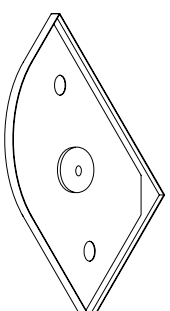
[10]x4



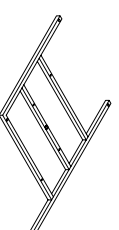
[11]x2



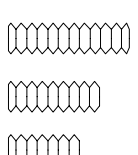
[12]x1



[13]x1



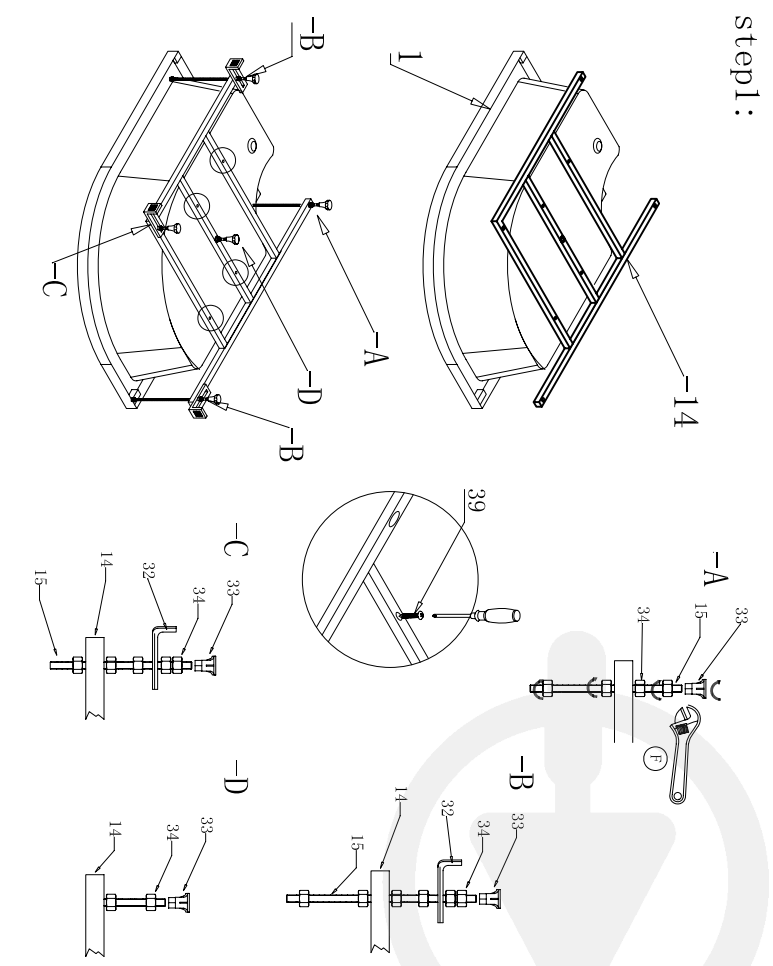
[14]x1



[15]x5

1

step1:



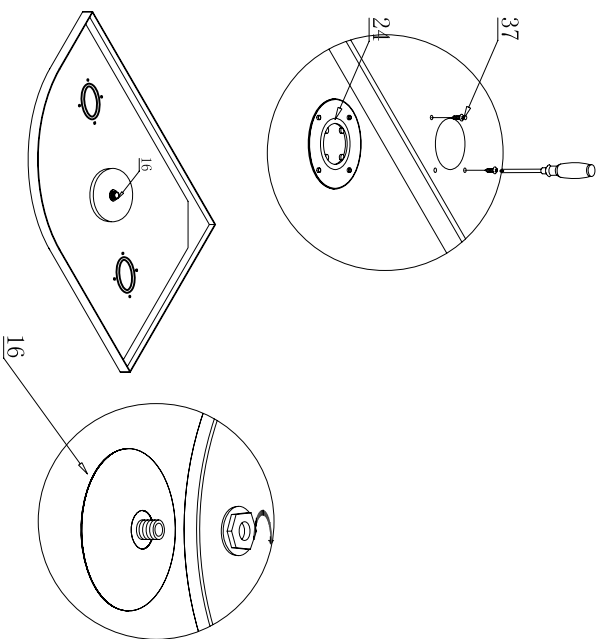
step2:



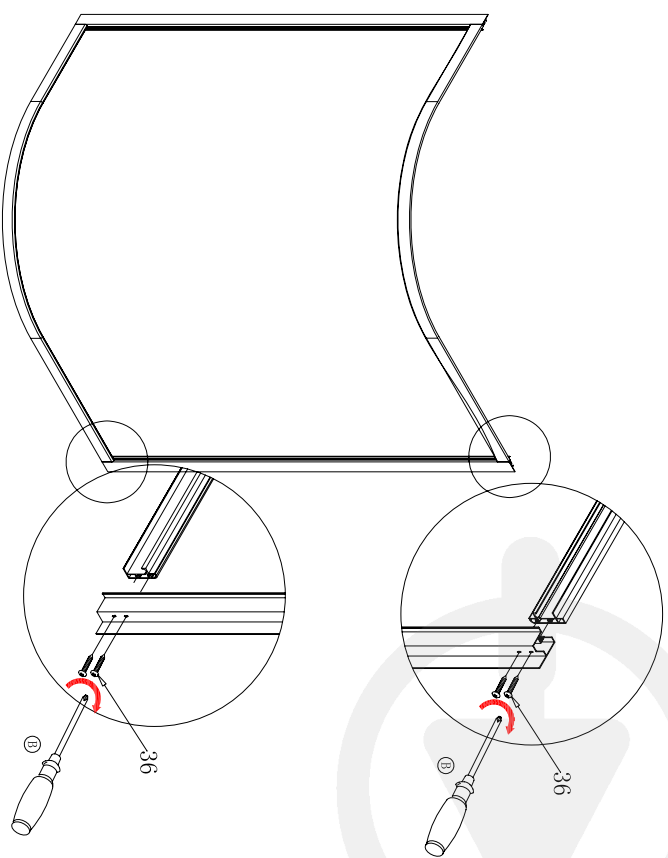
2

3

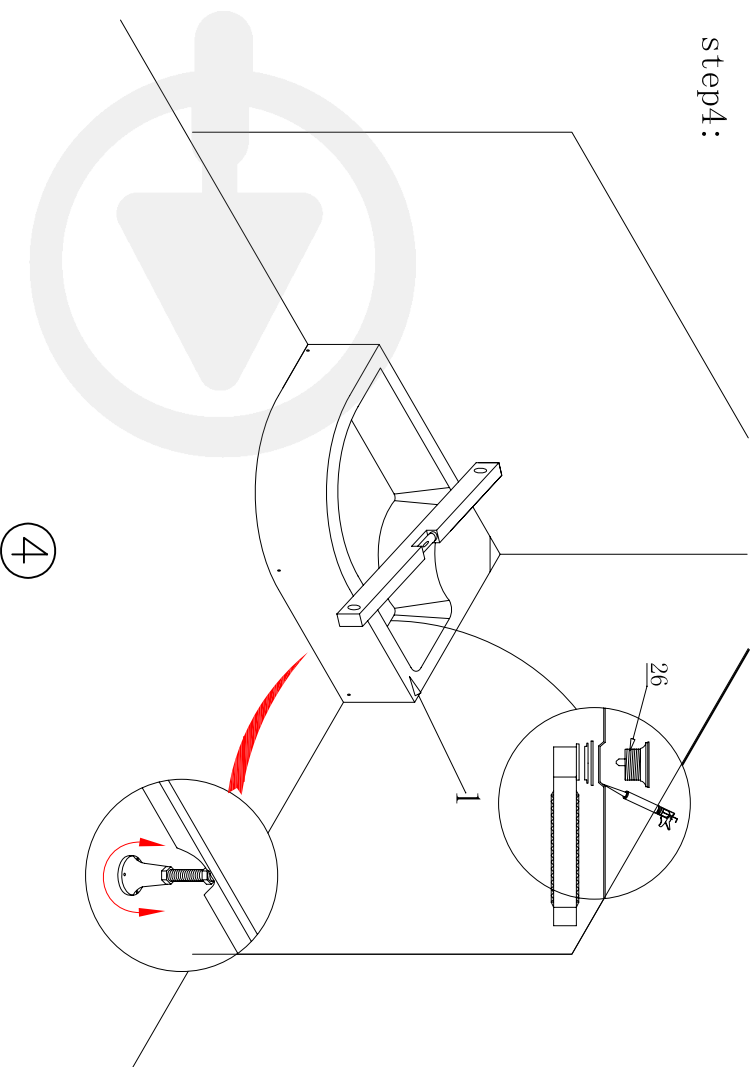
step3:



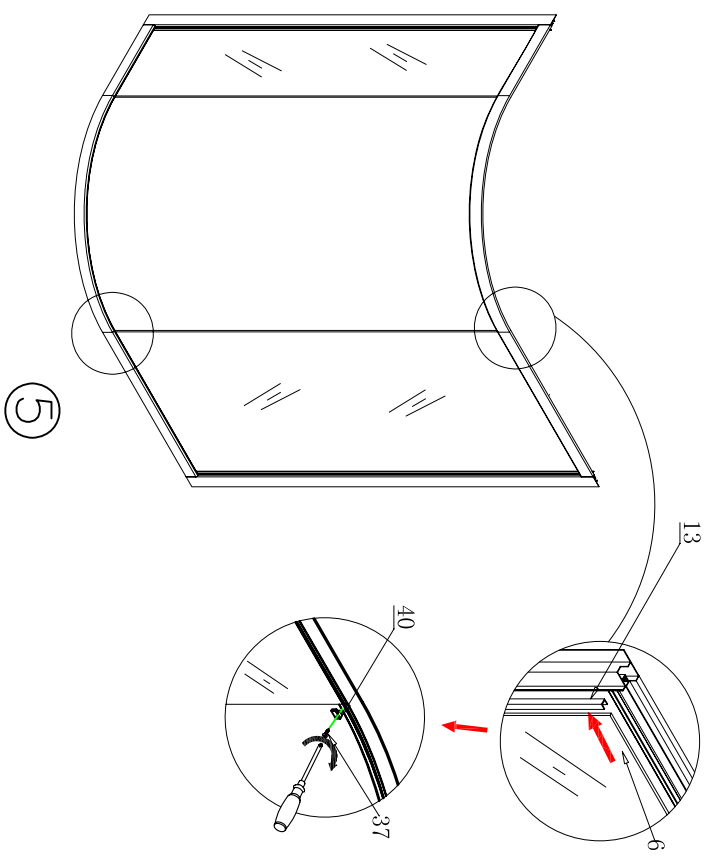
step5:



step4:



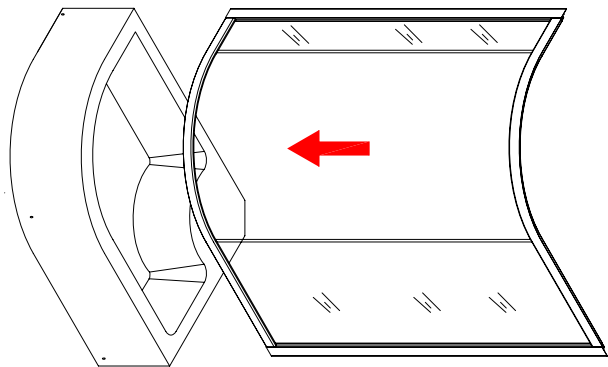
step6:



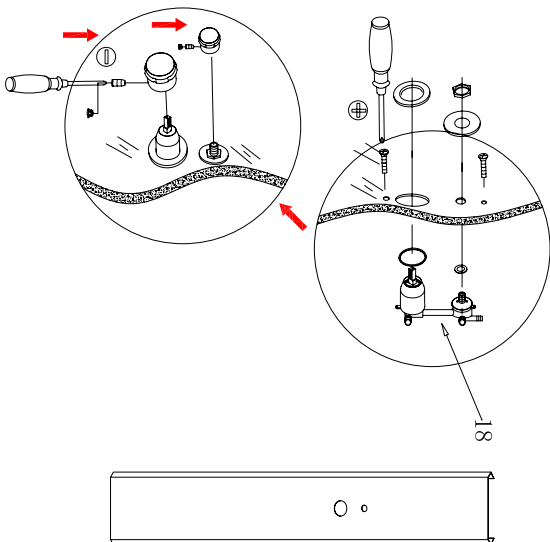
4

5

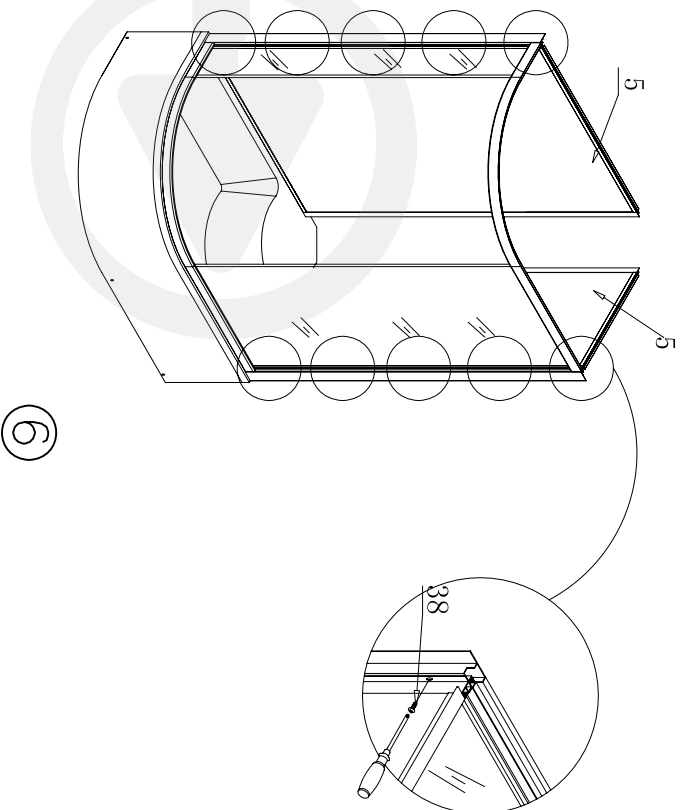
step7:



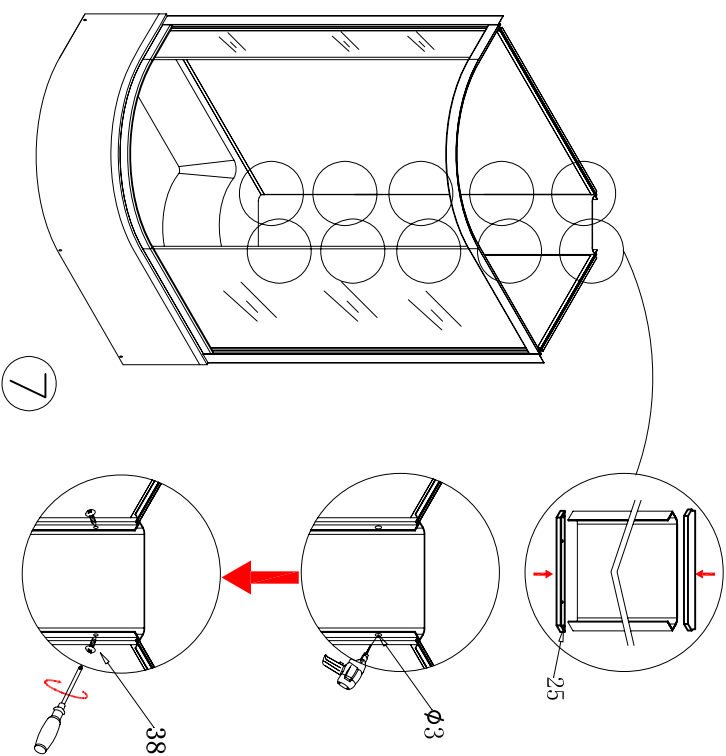
step9:



step8:



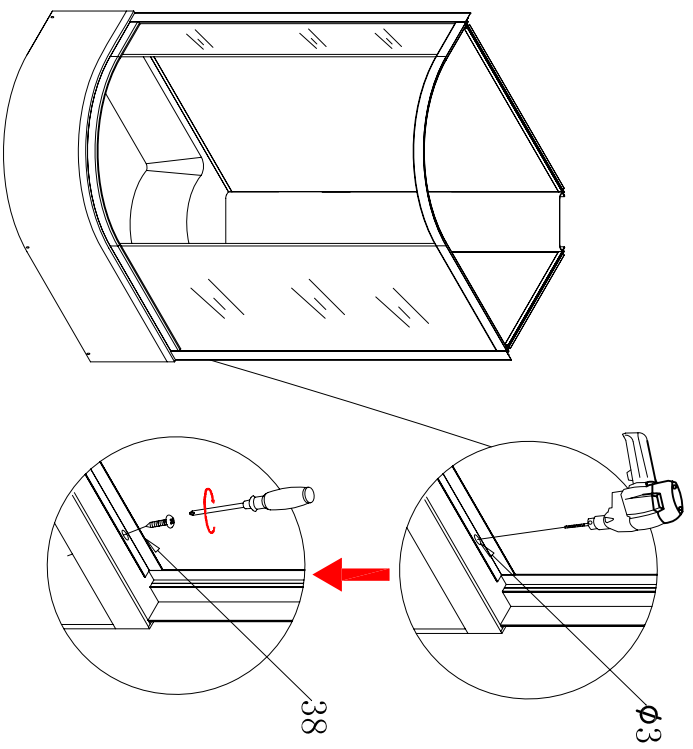
step10:



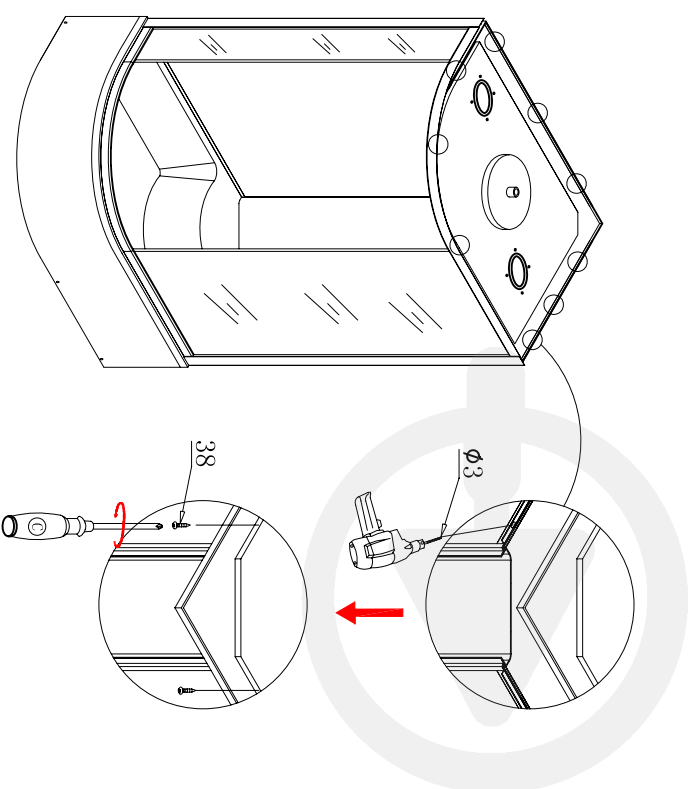
6

7

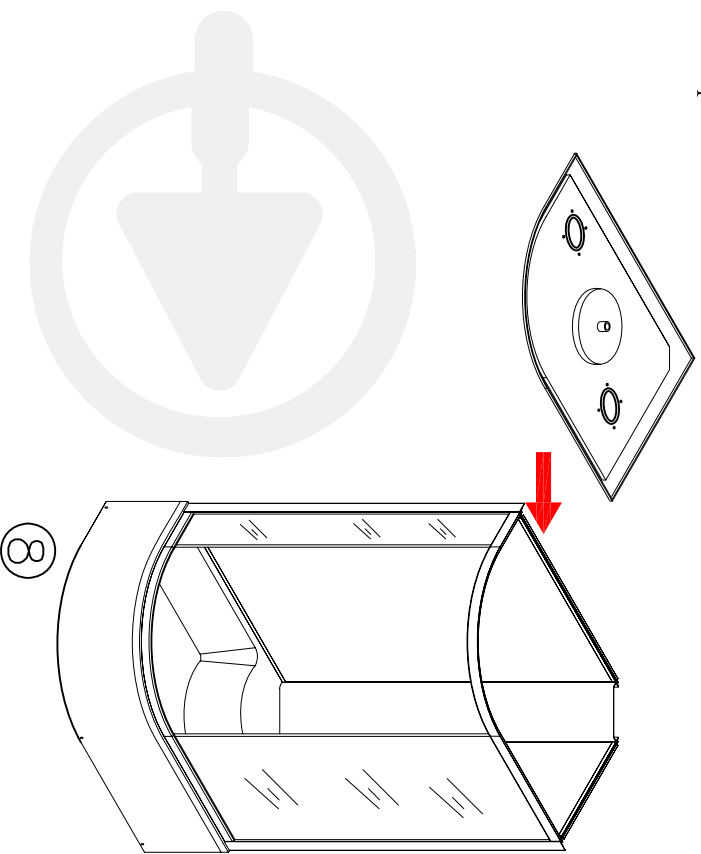
step11:



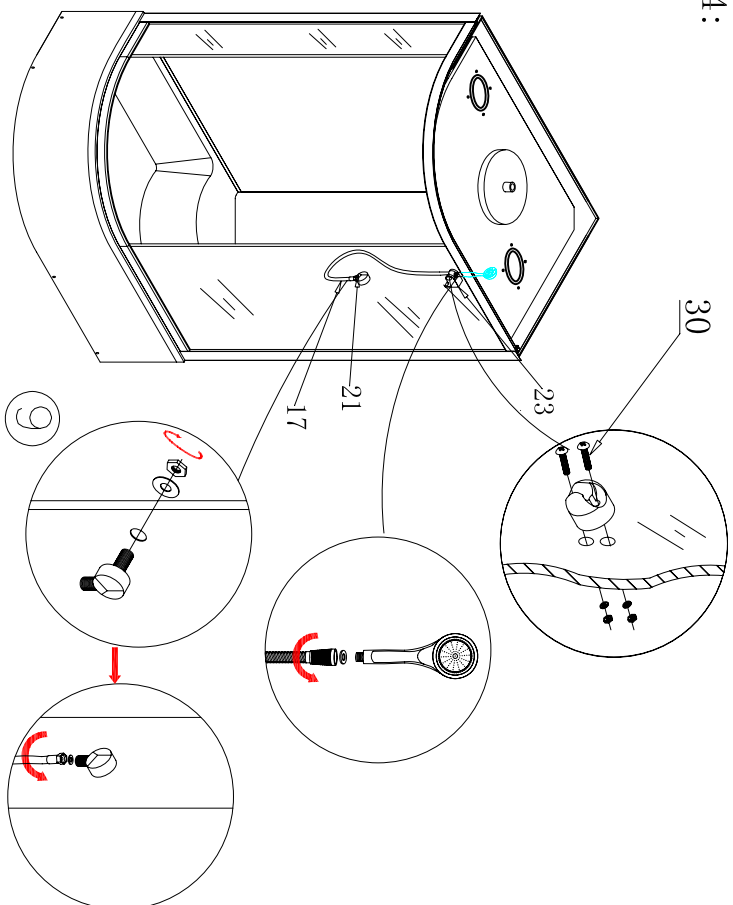
step13:



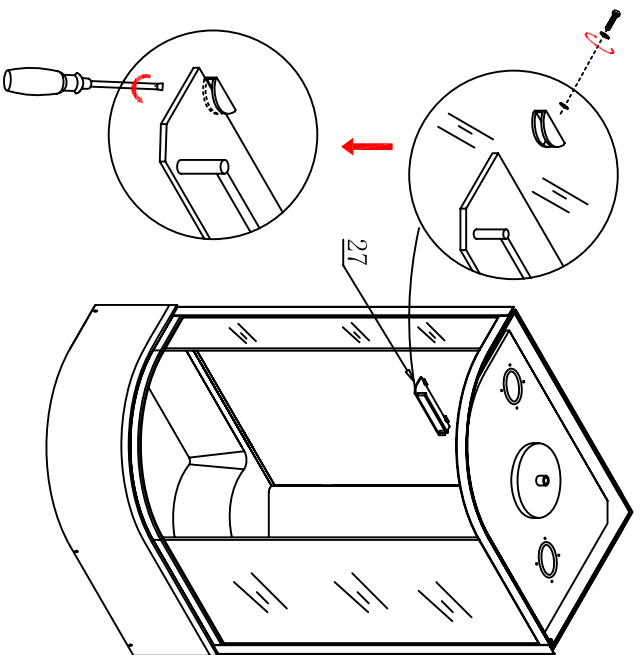
step12:



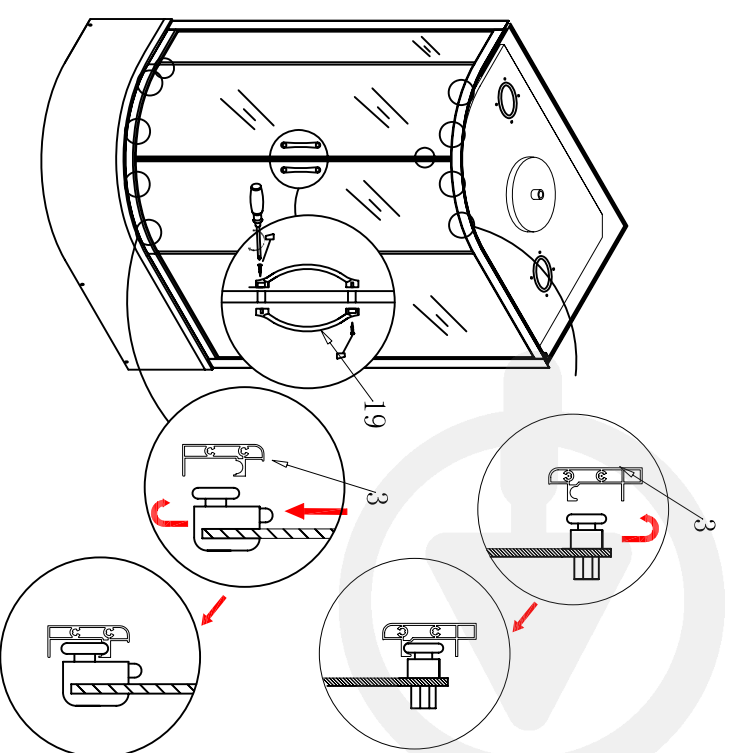
step14:



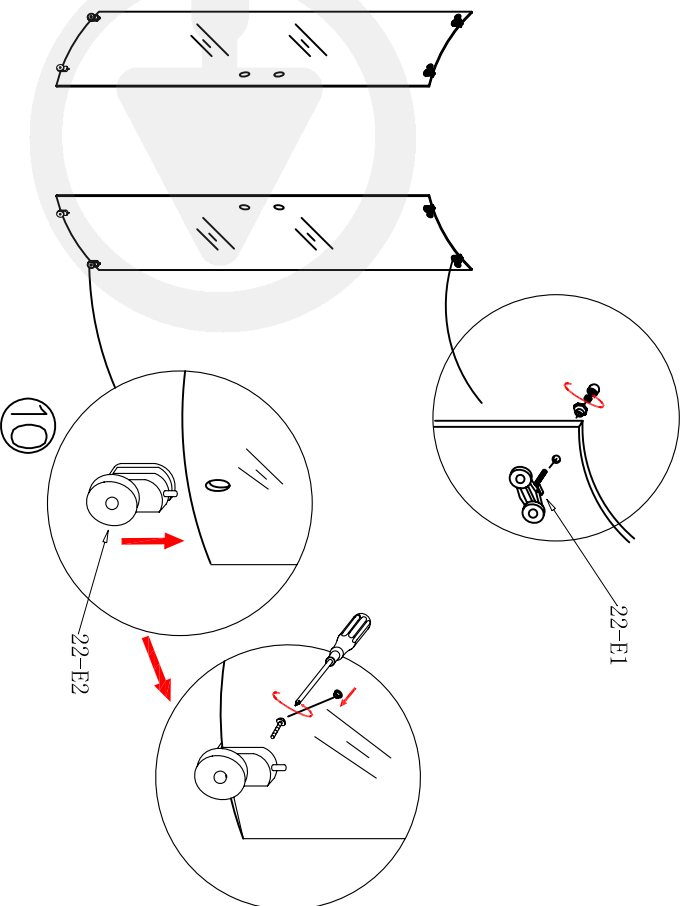
step15:



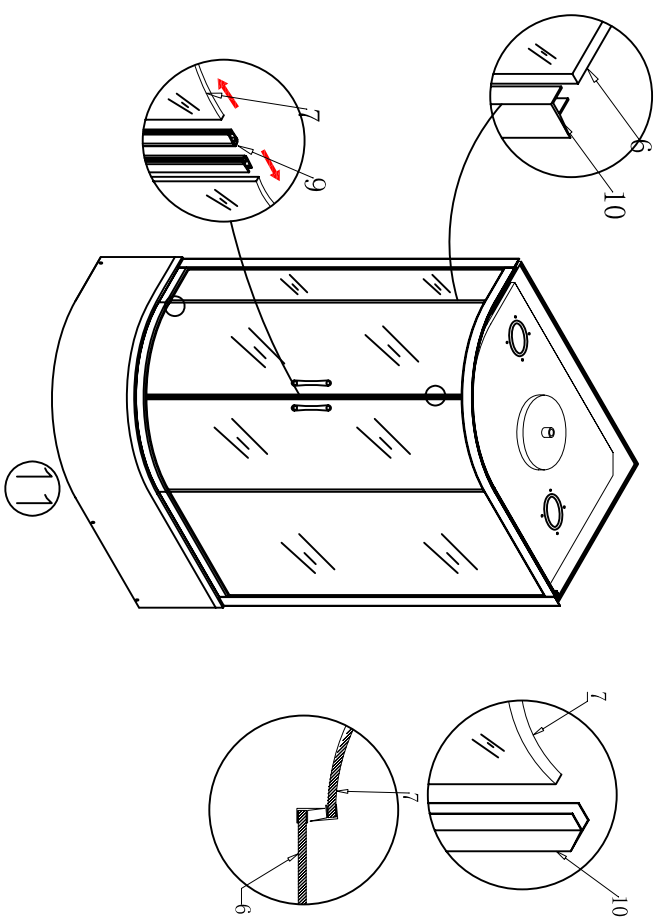
step17:



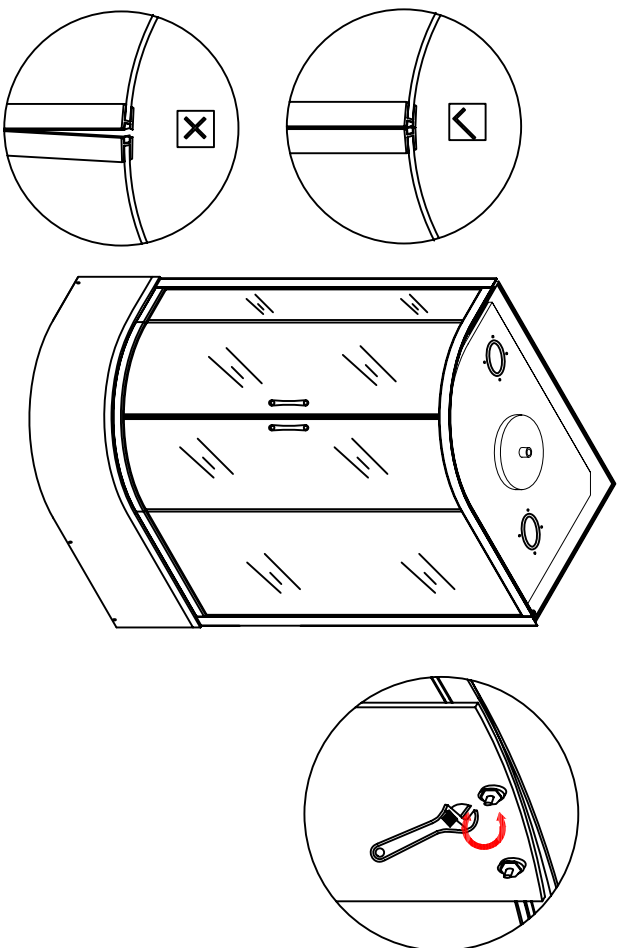
step16:



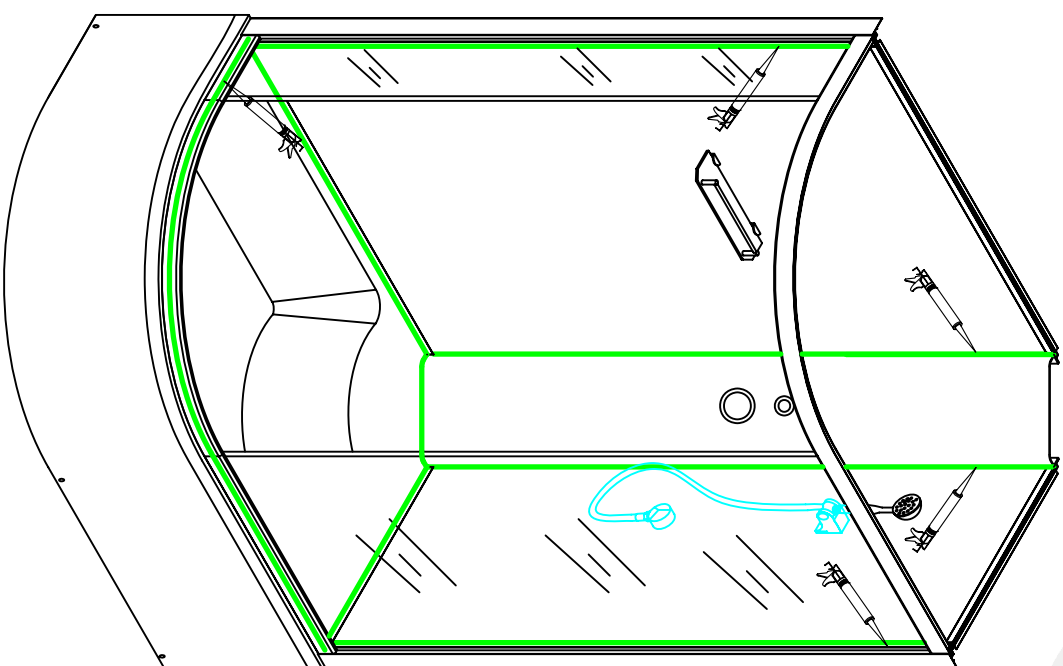
step18:



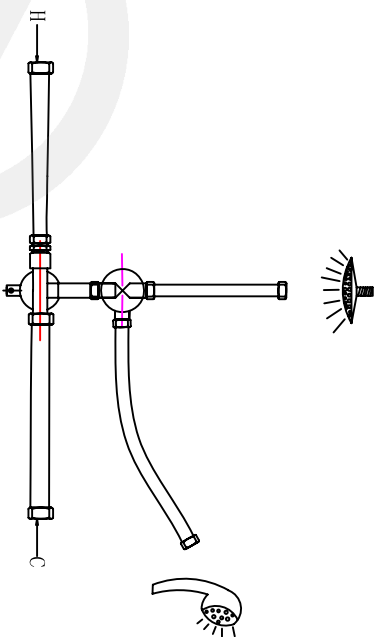
step19:



step21:



step20:



12

