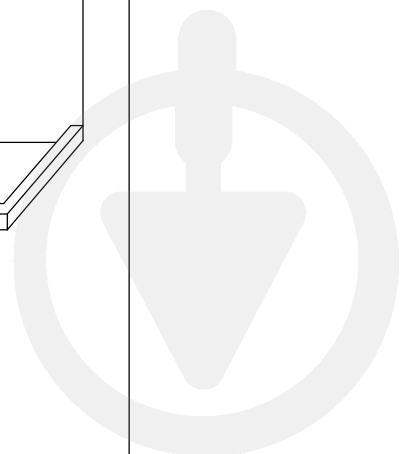
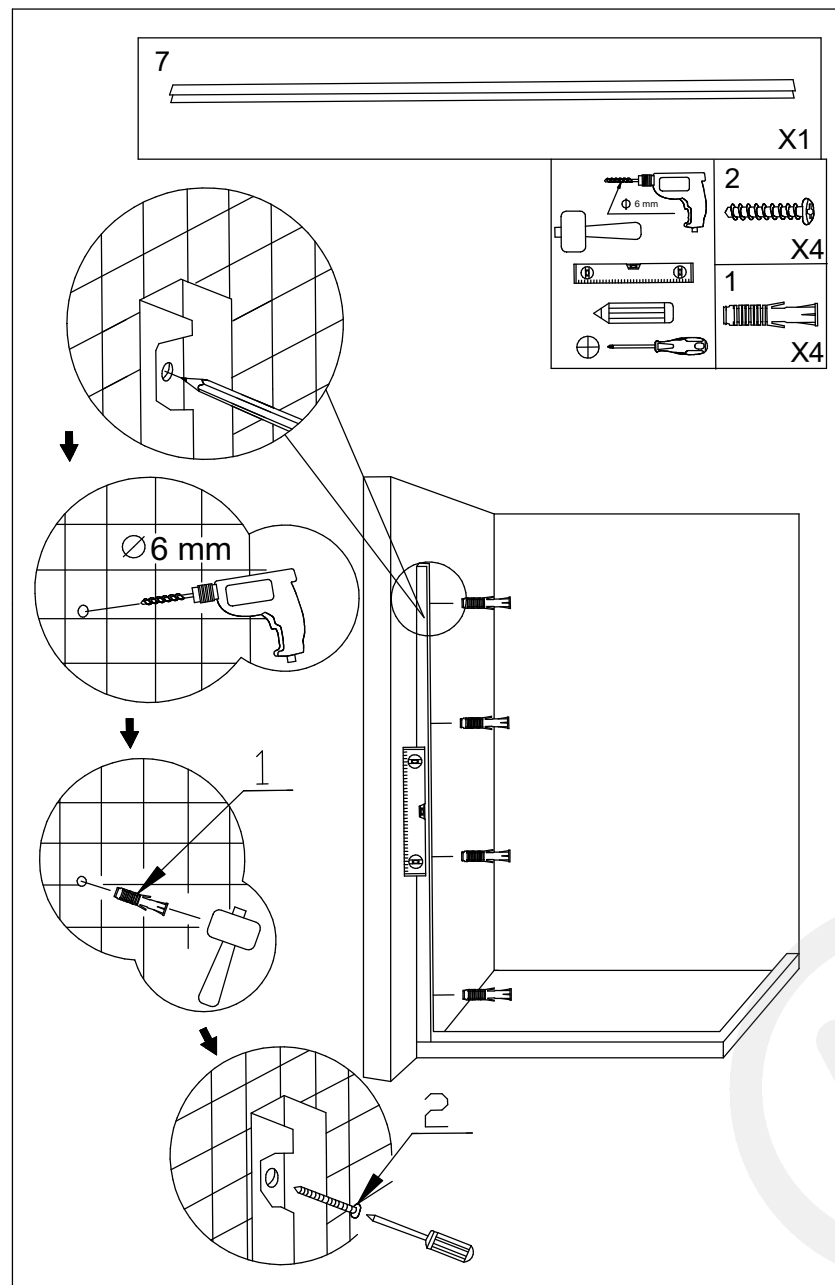
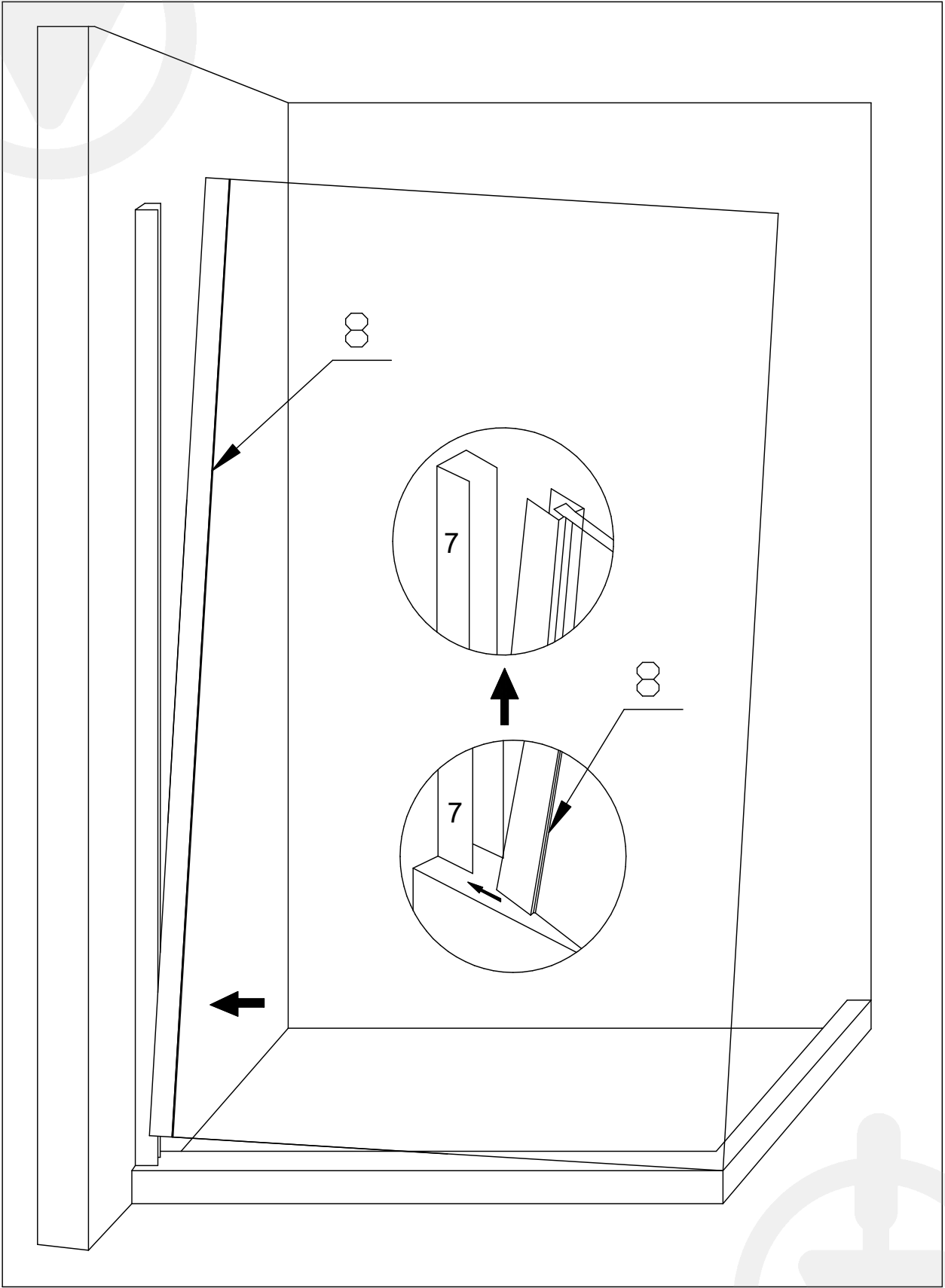


1		Φ6X30	X5
2		ST4X30	X5
3		ST4X 12	X3
4			X3
5			X3
6			X1
7			X1
8			X1

1



2



3

