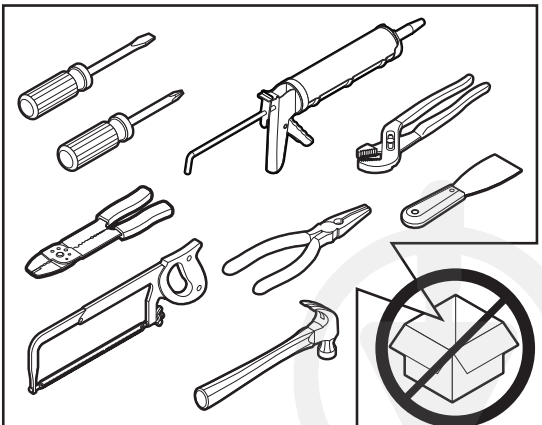
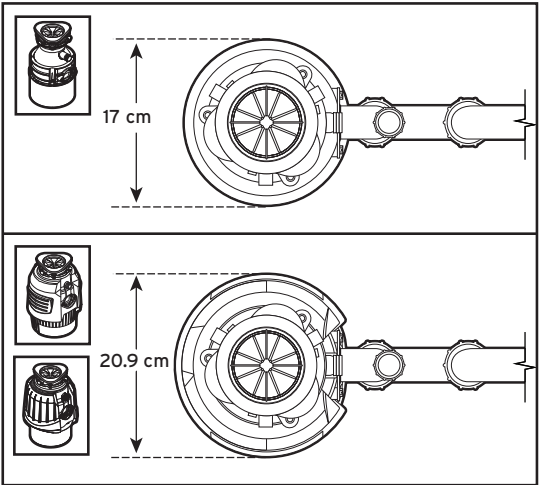
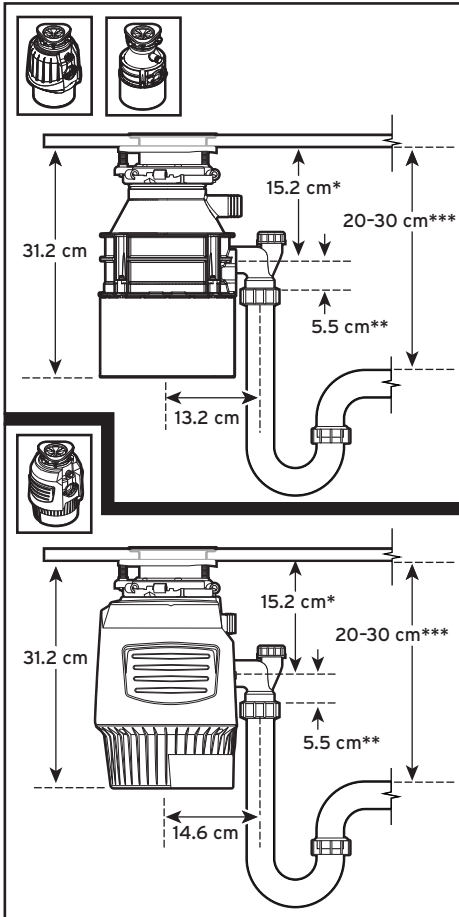
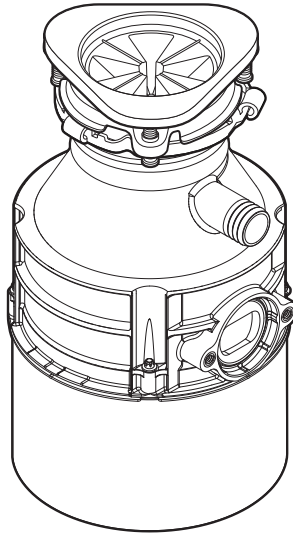
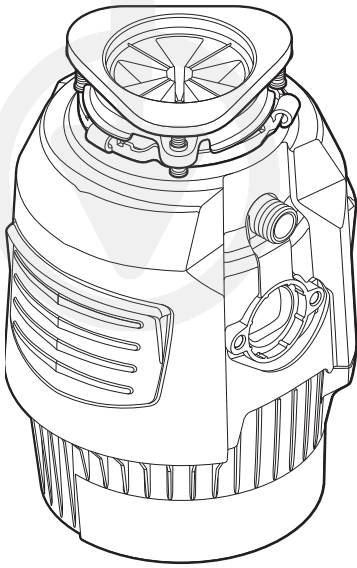
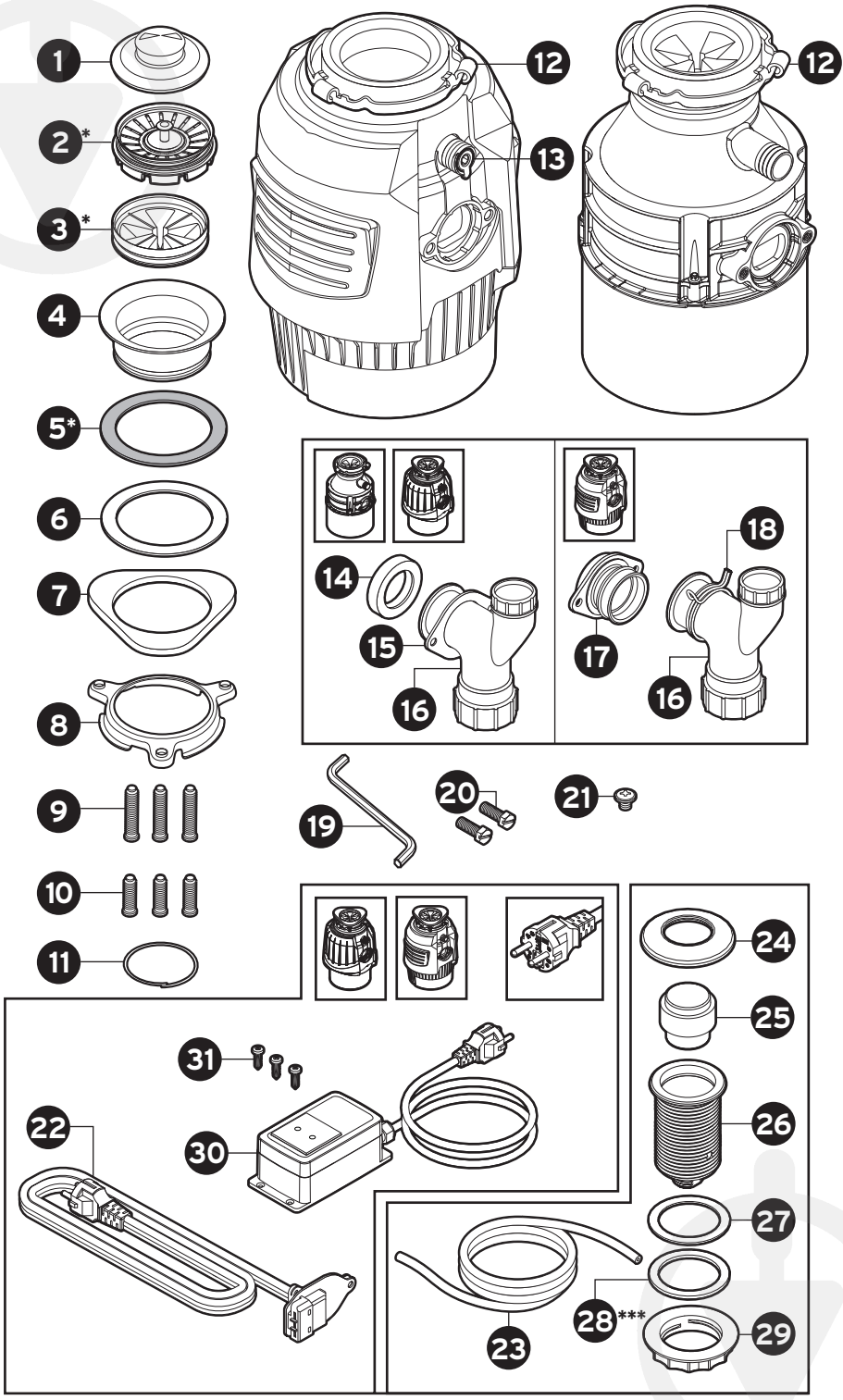
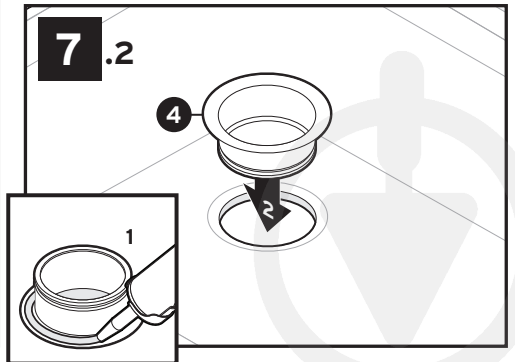
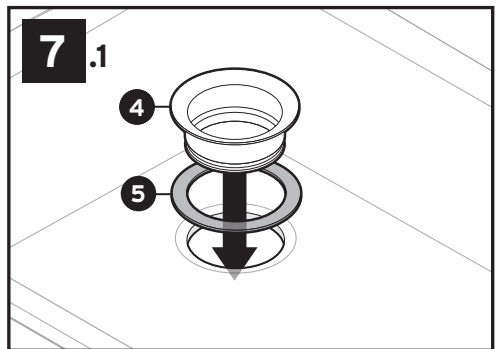
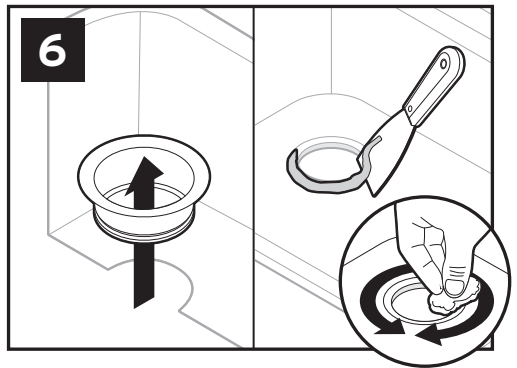
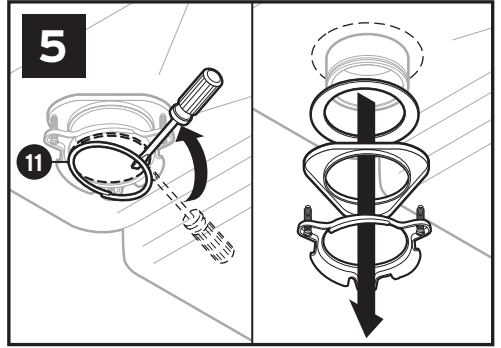
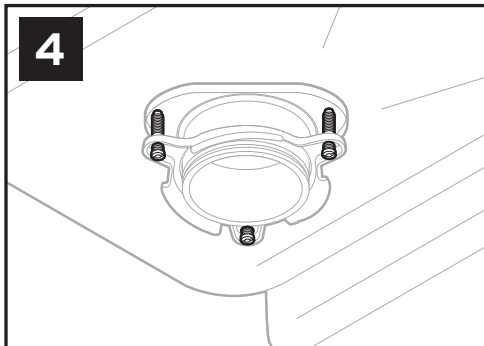
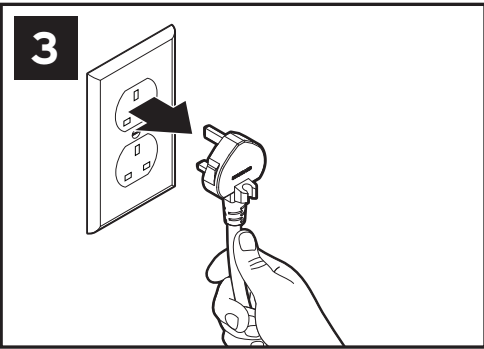
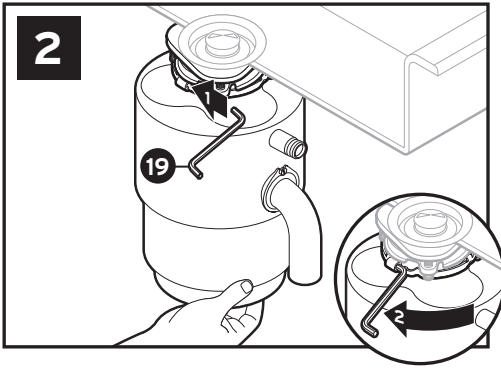
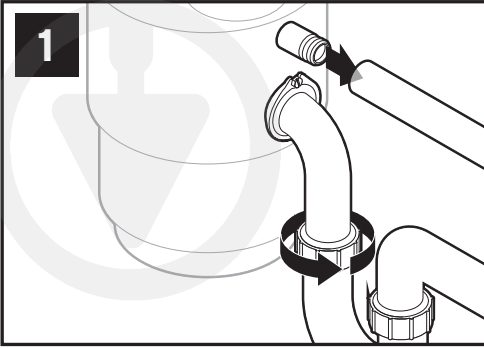
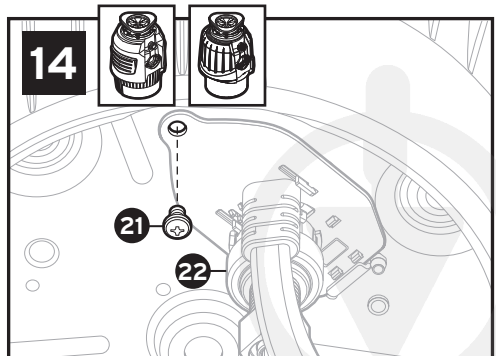
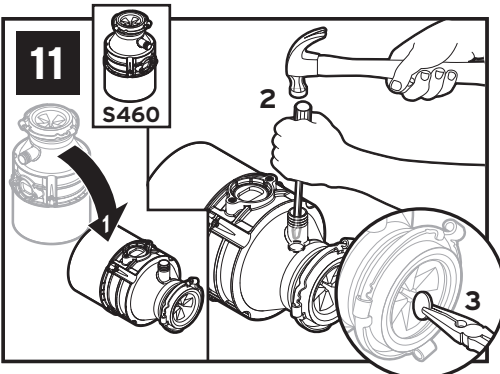
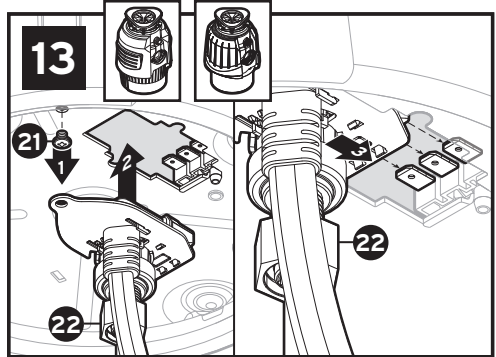
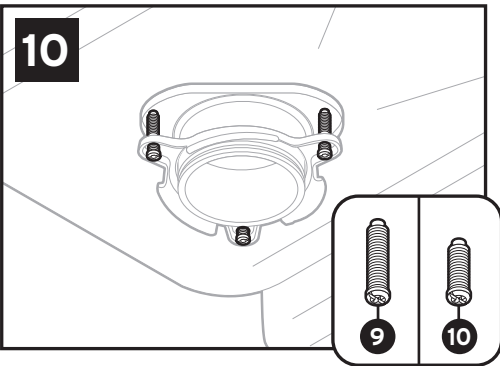
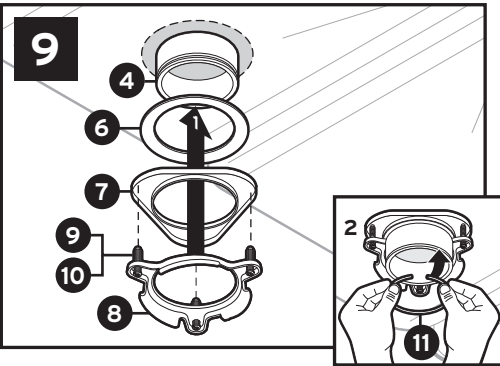
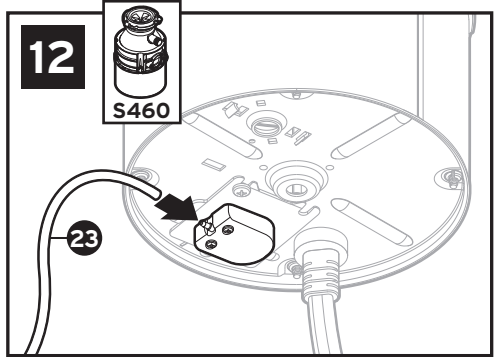
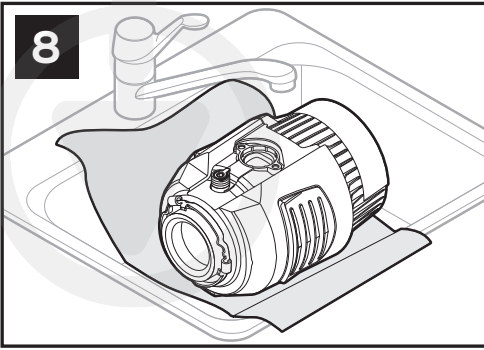


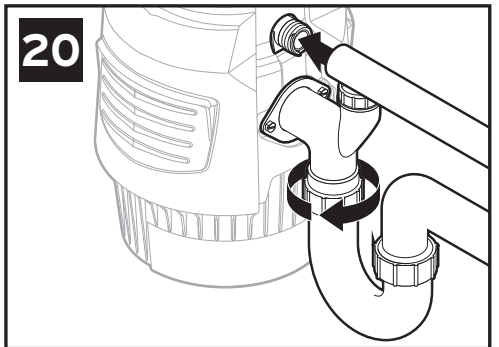
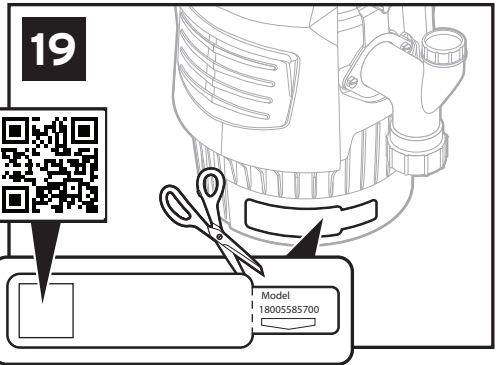
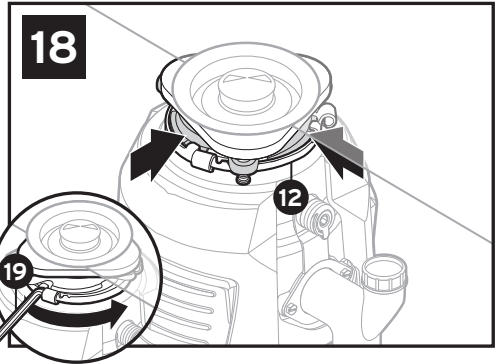
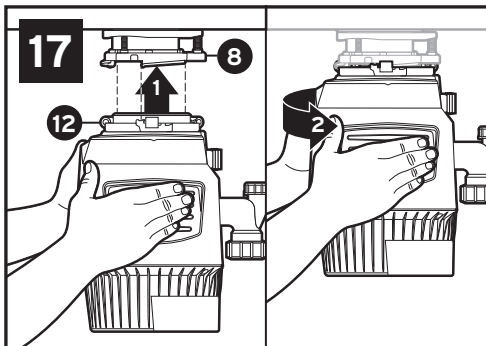
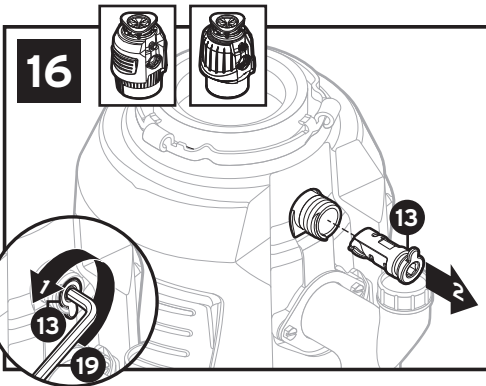
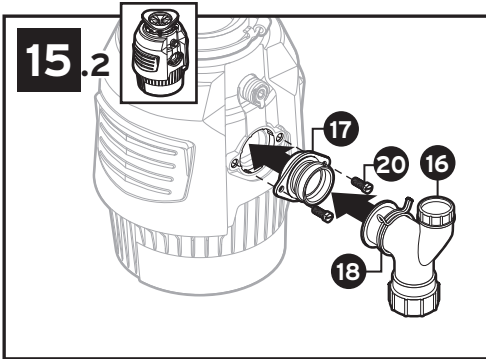
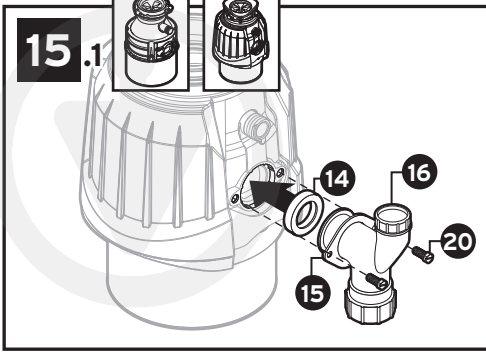
in sink erator

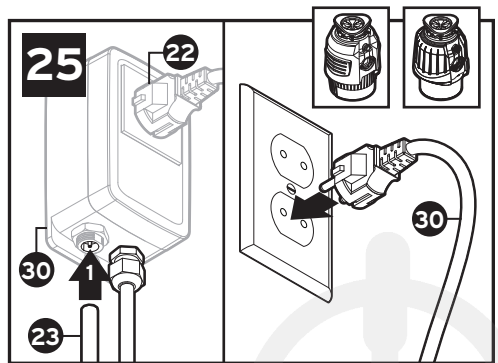
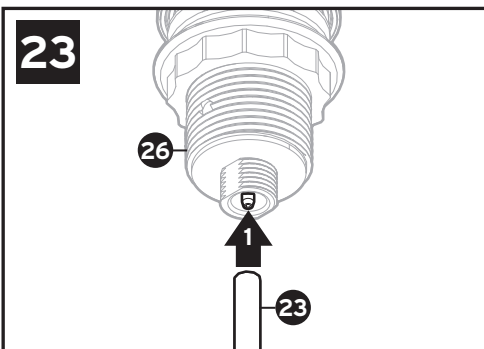
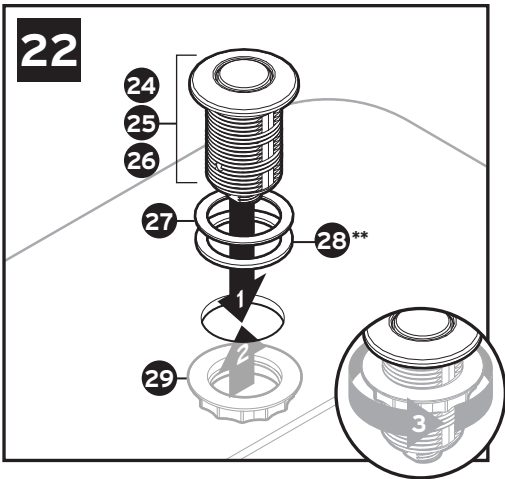
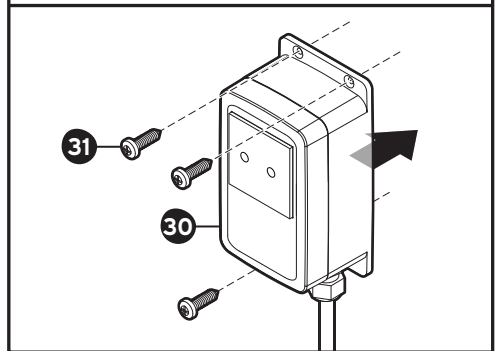
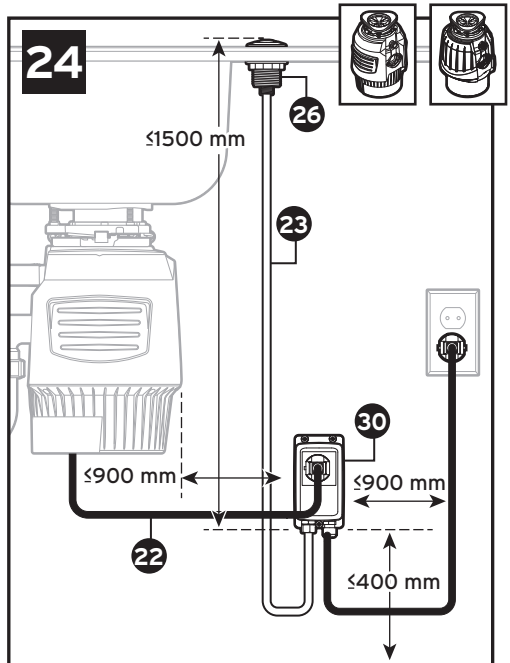
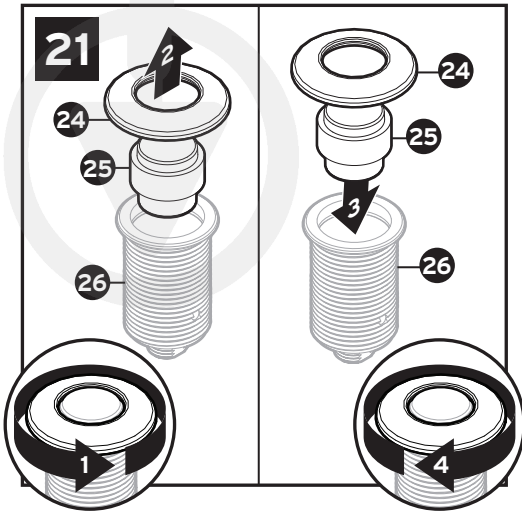


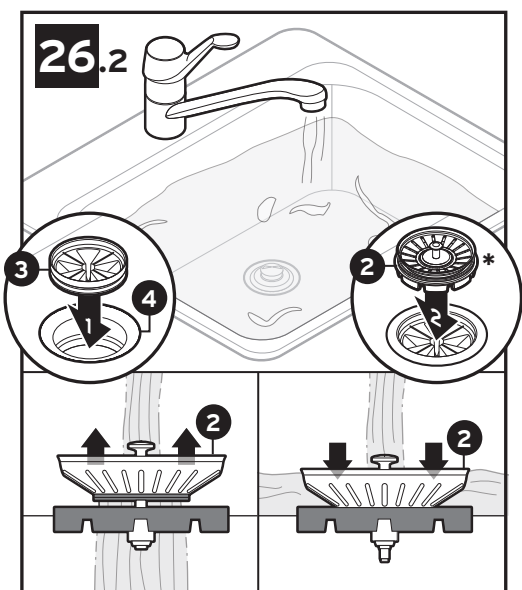
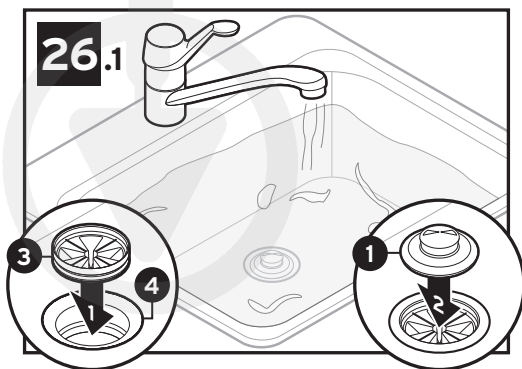












# Food Waste Disposer

## Installation Instructions



Scan QR code to view installation video.

©2023 All rights reserved.

## Dimensions

### For curved discharge tube

\*Distance from bottom of sink to center line of disposer outlet. Add 12.7 mm when stainless steel sinks are used.

\*\*Length of tailpipe from center line of disposer outlet to end of tailpipe.

\*\*\*Distance between bottom of sink bowl to the waste pipe to be minimum of 20 cm to 30 cm.

Note: For Cover Control Model dimensions—see Cover Control

## Tools and Materials Needed (Not Included)



### Includes

- |                        |                           |                                 |   |
|------------------------|---------------------------|---------------------------------|---|
| 1. Stopper             | 9. 38.1 mm Screws         | 17. Anti-Vibration Y-Pipe Mount | 25. Push Button (3 finishes provided)   |
| 2. Alba Stopper*       | 10. 28.6 mm Screws        | 18. Spring Clamp                | 26. Threaded Body                       |
| 3. Sink Baffle         | 11. Snap Ring             | 19. Wrenchette                  | 27. Rubber Gasket                       |
| 4. Sink Flange         | 12. Lower Mounting Ring   | 20. Bolts                       | 28. Stainless Steel Washer***           |
| 5. Rubber Sink Gasket* | 13. Dishwasher Inlet Plug | 21. Ground Screw                | 29. Plastic Nut                         |
| 6. Fiber Gasket        | 14. Y-Pipe Gasket         | 22. EZ Connect Power Cord       | 30. Air Switch with 3-wire Power Cord** |
| 7. Backup Flange       | 15. Flange                | 23. Air Tube**                  | 31. 19 mm screws**                      |
| 8. Mounting Ring       | 16. Y-Pipe                | 24. Bezel (3 finishes provided) |   |

\*Specific models only

\*\*Included with Next Gen models

\*\*\*The optional stainless steel washer is used for sink openings larger than 33 mm

## \*⚠\* Safety Information

- ⚠ DANGER** indicates a hazardous situation which, if not avoided, will result in death or serious injury.
- ⚠ WARNING** indicates a hazardous situation which, if not avoided, can result in death or serious injury.
- ⚠ CAUTION** indicates a hazardous situation which, if not avoided, could result in minor or moderate injury.
- NOTICE** is used to address practices not related to personal injury.
- SAFETY INSTRUCTIONS** (or equivalent) signs indicate specific safety related instructions or procedures.

- ⚠ WARNING** Read these instructions carefully. Failure to follow the Installation, Operating and User-Maintenance Instructions may result in personal injury, water leaks, or property damage.
- ⚠ WARNING SHOCK HAZARD**  
Turn off electric power at fuse box before beginning installation.

- NOTICE**
  - **Risk of property damage.** Do not use silicone caulk on any disposer connection other than the sink flange. Do not use thread sealants.
  - **Risk of property damage.** If connecting a dishwasher, the dishwasher inlet plug **MUST** be removed or the dishwasher may overflow. See steps 11 or 16.

## Remove Existing Disposer

If you are replacing an **Existing Disposer**, continue to **Step 1**.

If there is **No Existing Disposer**, turn off electrical power at circuit breaker or fuse box, disconnect sink drain and skip to **Step 8**.

1. Turn off electrical power at circuit breaker or fuse box. Disconnect drain trap from waste discharge tube. Disconnect dishwasher if connected to the disposer.
2. Support disposer, insert end of (19) into right side of mounting lug, and turn. Disposer will fall free.

### **▲ WARNING FALL HAZARD**

3. Unplug cord, remove unit. Existing power cord must not be re-used. InSinkErator EZ Connect power cord must be used. Proceed to **step 4**.

## Sink Mounting Removal

4. If new disposal mounting assembly is the same, you may choose to skip to **step 11**.  
**Note:** For sinks thicker than 9.5 mm, you will need to replace existing 38.1 mm screws (9) with 28.6 mm screws (10). See **step 11**.  
Using a flathead screwdriver, loosen the 3 screws on the mounting assembly.

5. Using a flathead screwdriver, pry off (11).
6. Remove flange from sink. Remove old gasket or plumber's putty from sink with putty knife.

## Install Sink Flange

- 7.1 **For models with a rubber gasket:**  
Fit (4) over (5\*) and firmly place into the sink opening.

### **NOTICE**

**Property Damage.** Risk of long/short term water leakage if not properly assembled.

*\*For specific models only.*

- 7.2 **For models without a rubber gasket:**  
Evenly apply a bead of silicone caulk around (4). Press (4) firmly into sink drain.

### **NOTICE**

**Property Damage.** Risk of long/short term water leakage if not properly assembled.

## Attach Mounting Assembly

8. Place a weight, such as the disposer, on the sink flange to hold it in place. Use a towel to avoid scratching sink.
9. Insert (6), (7) and (8). Hold in place while inserting (11).  
Pull (11) open and press firmly until it snaps into place.

10. Tighten (9) evenly and firmly against backup flange. Use (10) if sink is more than 9.5 mm thick.

If sink is thicker than 19 mm an Extended Sink Flange (FLG-SSLG) is required and sold separately.



For **S460 Model** Using the dishwasher connection go to step 11.

For **S460 Model** NOT connecting a dishwasher, continue to step 12.

## Dishwasher Inlet Plug Removal (S460 Model)

**IMPORTANT: Dishwasher connection only**

### **NOTICE**

If the dishwasher connection is made without removing the dishwasher inlet plug, the dishwasher may overflow.

11. If connecting a dishwasher, remove dishwasher inlet plug.

### **NOTICE**

Dishwasher inlet plug cannot be replaced once it is knocked out. Turn disposer onto side and knock out drain plug with screwdriver. Remove plug from inside of disposer with pliers.

## Connect Air Tube to Disposer (S460 Model)

12. Push one end of air tube (23) over the air switch spout which is located on the underside of the disposer. Go to step 15.1 or 15.2.



**Cover Control Accessory Installation:** Go to **Cover Control Installation Guide** and complete installation. Once Cover Control is installed, go to step 15.1 or 15.2 to complete disposer installation.

**Note:** Cover Control is not available in all markets.



**For All models except S460:** Go to step 13.

## Connect Electrical Supply (Next Gen Models)

### **▲ CAUTION**

If EZ Connect cord is not provided with disposer, it must be purchased separately. Do not re-use pre-existing power cord.

13. Remove (21) from bottom of disposer. Insert (22) into cut-out on bottom of disposer. Push (22) forward to connect power to disposer.
14. Install and tighten (21) through (22) and into bottom of disposer.

## Installing Y-Pipe



Rejoin instructions [HERE](#) if you have installed a **Cover Control Accessory**.

- 15.1** For most models (those with 14, 15 and 16 components):  
Insert (14) into discharge outlet of disposer. Secure (15, 16) assembly with (20).
- 15.2** For models with Anti-vibration Tailpipe Mount (those with 16, 17 and 18 components):  
Insert (17) into discharge outlet of disposer. Secure (17) with (20). Insert (16) into (17) and secure with (18).

## Dishwasher Inlet Plug Removal (All Models except S460)

**IMPORTANT: Dishwasher connection only**

- 16.** Insert (19) into (13) and turn 90° counter clockwise to remove.

## Connect Disposer to Mounting Assembly

- 17.** Lifting disposer from the bottom, hang disposer by aligning 3 mounting tabs on (12) with slide-up ramps on (8) and slightly turn disposer counter clockwise.

### **⚠ WARNING**

Do not position your head or body under disposer; unit could fall during removal or installation.

### **NOTICE**

**Property Damage:** Risk of long/short term water leakage if all three mounting tabs are not properly engaged on all slide-up ramps and locked in place past the ridges.

- 18.** Using (19), turn (12) until all 3 mounting tabs latch over the ridges on the slide-up ramps. Rotate disposer to align the discharge tube.
- 19.** Detach removable portion of spec label and place on a visible location.

**Scan QR code on spec label for product registration and additional product information.**

## Connect Disposer to Plumbing

- 20.** Reconnect plumbing (and dishwasher connection if used).

### **NOTICE**

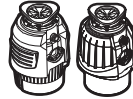
**Property Damage:** Risk of water leakage if not properly assembled.

To reduce the potential of leaking, the drain line must be properly pitched (not less than 6.4 mm of pitch per 0.3 meters of run) from the disposer to the drain connection, with the drain connection being lower than the disposer discharge. Failure to do so could lead to premature corrosion or leaking due to standing water left in the disposer.

**For disposers equipped with an Anti-Vibration Tailpipe Mount™, make sure tailpipe mount is not flexed.** You may need to trim tube for proper fit.

## Final Installation

- 21.** If a different finish is preferred:  
Turn (24) counter clockwise to remove existing finish (24) and (25) from (26).  
Install a different finish (24) and (25) onto (26) turning (24) clockwise to secure.
- 22.** Mount (24, 25, 26) assembly through a standard sink hole.  
**OR**  
Mount (24, 25, 26) assembly through counter top by drilling 33 mm diameter hole. Place (27) between (24, 25, 26) assembly and the top of sink counter. Tighten (29) under the sink counter to ensure a watertight seal.  
*\*\*The optional (28) is used for sink openings larger than 33 mm diameter. Position it between the sink counter and (27).*
- 23.** Insert remaining end of (22) Next Gen model or (23) S460 model into bottom of (26).  
For S460 model, plug into wall outlet.



For **All models except S460:** Go to step 24.

- 24.** Mount (30) securely with (31) onto a cabinet wall within 900 mm of the disposer and electrical outlet.
- 25.** Attach (23) to bottom of (30). Plug (30) into the electrical outlet.

## Check for Leaks

- 26.1** To test for leaks, insert (3) into (4), press down evenly until it snaps into place. Insert (1) into sink opening, fill sink with water, remove (1) to drain, then look under sink for leaking water. Reconnect electrical power at fuse box or circuit breaker box.

## Check for Leaks/Operation (Alba Stopper)\*

- 26.2** To test for leaks, insert (3) into (4), press down evenly until it snaps into place. Insert (2) into sink opening, fill sink with water, lift up (2) to open and drain. Then look under sink for leaking water. Reconnect electrical power at fuse box or circuit breaker box.

To operate disposer with Alba Stopper, slowly insert food waste into disposer and position (2) in upright position (allowing water to run through) to minimize noise and possible ejection of material while grinding.

After grinding is complete, turn disposer off and run water for a few seconds to flush drain line. (2) also acts as a stopper in the lower position.

# IMPORTANT SAFETY INSTRUCTIONS

## INSTRUCTIONS PERTAINING TO RISK OF FIRE, ELECTRIC SHOCK, INJURY TO PERSONS OR DAMAGE TO PROPERTY

### GROUNDING INSTRUCTIONS

#### For all grounded, cord-connected disposers:

This disposer must be grounded to reduce the risk of electric shock in the event of a malfunction or breakdown. Grounding provides a path of least resistance for electric current. Use of InSinkErator EZ Connect power cord is required. The plug must be plugged into an outlet that is properly installed and grounded in accordance with all local codes and ordinances.


### WARNING

Improper connection of the equipment-grounding conductor can result in a risk of electric shock. Check with a qualified electrician or serviceman if you are in doubt as to whether the disposer is properly grounded. If the EZ Connect power cord provided does not fit the outlet, do not modify the plug or attempt to force the plug into the outlet. Have a proper outlet installed by a qualified electrician.

- This disposer must be properly grounded.
- Do not attach ground wire to gas supply line.
- Disconnect power before installing or servicing disposer.
- EZ Connect power cord must be inserted into 3-hole grounded receptacle.
- All wiring must comply with local electrical codes.
- Do not reconnect electrical current at main service panel until proper grounds are installed.

### NOTICE

- Do not use silicone caulk on any other disposer connection other than sink flange. Do not use thread sealants. These may harm disposer and cause property damage.
- For models equipped with the Anti-Vibration Tailpipe Mount™, failure to use the spring load hose clamp provided voids the warranty.
- To properly drain and prevent standing water in the disposer when utilizing a straight pipe discharge tube, the tube connection opposite the disposer outlet must be lower, not higher, than the disposer outlet.

 **WARNING**-When using electric appliances, basic precautions are always to be followed, including:

- Read all instructions before using the appliance.
- To reduce the risk of injury, close supervision is required when an appliance is used near children.
- Do not put fingers or hands into disposer.
- Turn the power switch to the off position before attempting to clear a jam or removing an object from the disposer.
- When attempting to loosen a jam in a waste disposer, use the wrenchette.
- When attempting to remove objects from a waste disposer, use long-handled tongs or pliers.
- Do not put the following into a disposer: clam or oyster shells, caustic drain cleaners or similar products, glass, china, or plastic, metal (such as bottle caps, steel shot, tin cans, or utensils), hot grease or other hot liquids.
- When not operating a disposer, leave the stopper in place to reduce the risk of objects falling into the disposer.
- This product is designed to dispose of normal household food waste; inserting materials other than food waste into disposer could cause personal injury and/or property damage.
- Do not dispose of the following in the disposer: paints, solvents, household cleaners and chemicals, automotive fluids, plastic wrap.
- FIRE HAZARD: Do not store flammable items such as rags, paper or aerosol cans near disposer. Do not store or use gasoline or other flammable vapours and liquids in vicinity of disposer.
- LEAK HAZARD: Regularly inspect disposer and plumbing fittings for leaks, which can cause property damage and could result in personal injury.

### OPERATING INSTRUCTIONS\*

(SAVE THESE INSTRUCTIONS)

1. Remove stopper from sink opening and run cold water.
2. Turn on disposer.
3. Slowly insert food waste into disposer.
4. After grinding is complete, turn disposer off and run water for 10-15 seconds to flush drain line.

### INSTRUCTIONS PERTAINING TO RISK OF FIRE, ELECTRIC SHOCK, INJURY TO PERSONS OR DAMAGE TO PROPERTY



## DO...

- First turn on cold water and then turn on the disposer. Continue running cold water for several seconds after grinding is completed to flush the drain line.
- Grind hard materials such as small bones, fruit pits, and ice. A scouring action is created by the particles inside the grind chamber.
- Grind peelings from citrus fruits to freshen up drain smells.
- Use a disposer cleaner, degreaser, or deodorizer as necessary to relieve objectionable odor caused by grease build-up.

### NOTICE

Failure to flush the disposer properly may result in damage to the disposer and/or property damage.

## DON'T...

- Don't pour grease or fat down your disposer or any drain. It can build up in pipes and cause drain blockages. Put grease in a jar or can and dispose in the bin.
- Don't use hot water when grinding food waste. It is OK to drain hot water into the disposer between grinding periods.
- Don't fill disposer with a lot of vegetable peels all at once. Instead, turn the water and disposer on first and then feed the peels in gradually.\*
- Don't grind large amounts of egg shells or fibrous materials like corn husks, artichokes, etc., to avoid possible drain blockage.
- Don't turn off disposer until grinding is completed and only sound of motor and water is heard.  
\*Cover Control user should refer to the Cover Control instruction manual.

## USER MAINTENANCE INSTRUCTIONS

### CLEANING DISPOSER

Over time, food particles may accumulate in the grind chamber and baffle. An odor from the disposer is usually a sign of food buildup.

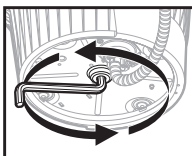
#### To clean disposer:

1. Place stopper in sink opening and fill sink halfway with warm water.
2. Mix together a solution of baking soda with water. Turn disposer on and remove stopper from sink at same time to wash away loose particles.
3. Remove Sink Baffle and clean by hand or in dishwasher. Do not operate disposer without Sink Baffle in place.

### RELEASING DISPOSER JAM

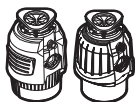
If motor stops while disposer is operating, disposer may be jammed. To release jam:

1. Turn off disposer and water.
2. Insert one end of wrenchette into center hole on bottom of disposer. Work wrenchette back and forth until it turns one full revolution. Remove wrenchette.



3. Reach into disposer with tongs and remove object(s).

4.1

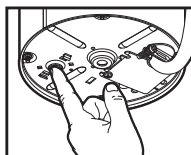


Disposer is equipped with an automatic overload switch. Allow disposer to cool for a period of up to 20 minutes before turning back on. (If motor remains inoperative, check service panel for tripped circuit breakers or blown fuses.)

4.2



Allow disposer motor to cool for 3 - 5 minutes, then lightly push red reset button on disposer bottom. (If motor remains inoperative, check service panel for tripped circuit breakers or blown fuses.)



## Warranty Information

### (Warranty period in years\*)

Warranty is determined by the unit serial number and the date of installation. Purchase or installation receipt may be required to verify warranty status.

Register your product at

<http://www.insinkerator-worldwide.com> to see if you qualify for extended offering. Warranty period varies by market.

### SERVICE

If service is required, contact an InSinkErator Authorized Service Center or your dealer. Guarantees are void if you remove your disposer after installation and attempt to repair it, or if the disposer is used for commercial purposes.

Model and warranty year time frame is listed on chart below.

Model	EU	MX	BZ	Korean	India
S460 SR/EC/RC	2	2	2		
Premium 550 SR	3	3	3	3	3
Premium 700 SR	4	4	4		
Evolution Plus 750 SR	5	5	5	5	5
Evolution Plus 1000 SR	6	6	6	6	
Premium 550 EC	2				
Premium 700 EC	2				
Evolution Plus 750 EC	3				
Evolution Plus 1000 EC	4				
Premium 550 RC	2				
Premium 700 RC	3				
Evolution Plus 750 RC	4				
Evolution Plus 1000 RC	5				

### Warranty Information

This limited warranty is provided by InSinkErator ( InSinkErator or Manufacturer or we or our or us ) to the original consumer owner of the InSinkErator product with which this limited warranty is provided (the InSinkErator Product ), and any subsequent owner of the residence in which the Product was originally installed ( Customer or you or your ).

InSinkErator warrants to Customer that your InSinkErator Product will be free from material defects in materials and workmanship, subject to the exclusions described below, for the Warranty Period (as stated for the relevant InSinkErator Product

model in this limited warranty), commencing on the later of: (a) the date your InSinkErator Product is originally installed, (b) the date of purchase, or (c) the date of manufacture as identified by your InSinkErator Product serial number. You will be required to show written documentation supporting (a) or (b). If you are unable to provide documentation supporting either (a) or (b), the Warranty Period commencement date will be determined by Manufacturer, in its sole and absolute discretion, based upon your InSinkErator Product serial number.

#### What is Covered

This limited warranty covers material defects in materials or workmanship, subject to the exclusions below, in InSinkErator Products used by a consumer Customer for residential use only, and includes all replacement parts and labour costs. YOUR SOLE AND EXCLUSIVE REMEDY UNDER THIS LIMITED WARRANTY SHALL BE LIMITED TO REPAIR OR REPLACEMENT OF THE INSINKERATOR PRODUCT. PROVIDED THAT IF WE DETERMINE IN OUR SOLE DISCRETION THAT NEITHER REMEDY IS PRACTICABLE, WE MAY PROVIDE YOU A REFUND OF YOUR PURCHASE PRICE OR A CREDIT TOWARDS ANOTHER INSINKERATOR PRODUCT.

#### What is not Covered

This limited warranty does not extend to and expressly excludes:

- Losses or damages or the inability to operate your InSinkErator Product resulting from conditions beyond the Manufacturer's control including, without limitation, accident, alteration, misuse, abuse, neglect, negligence (other than Manufacturer's), failure to install, maintain, assemble, or mount the InSinkErator Product in accordance with Manufacturer's instructions or local electrical and plumbing codes.
- Wear and tear expected to occur during the normal course of use, including without limitation, cosmetic rust, scratches, dents or comparable and reasonably expected losses or damages. In addition to the above exclusions, this limited warranty does not apply to InSinkErator Products installed in a commercial or industrial application.

#### No Other Express Warranty Applies

This limited warranty is the sole and exclusive warranty provided to the Customer identified above. No other express warranty, written or verbal, applies. No employee, agent, dealer, or other person is authorized to alter this limited warranty or make any other warranty on behalf of Manufacturer. The terms of this limited warranty shall not be modified by the Manufacturer, the original owner, or their respective successors or assigns.

#### What we will do to Correct Problems

If you have questions concerning your InSinkErator Product or how to determine when service is needed, please call InSinkErator Service & Support at +44 800389 3715, or use the link below to find your closest regional office: <https://insinkerator.emerson.com/en-us/insinkerator-worldwide> The following information must be provided as part of your warranty claim: your name, address, phone number, your InSinkErator Product model and serial number, and if necessary, upon request, written confirmation of either: (a) the date shown on your installation receipt, or (b) the date shown on your purchase receipt.

Manufacturer or its authorized service representative will determine, in its sole and absolute discretion, if your InSinkErator Product is covered under this limited warranty. You will be given the contact information for your closest authorized InSinkErator Service Center. Please contact your InSinkErator Service Center directly to receive in home warranty repair or replacement product service. Only an authorized InSinkErator service representative may provide warranty service. InSinkErator is not responsible for warranty claims arising from work performed on your InSinkErator Product by anyone other than an authorized InSinkErator service representative.

If a covered claim is made during the Warranty Period, Manufacturer will, through its authorized service representative, either repair or replace your InSinkErator Product. Cost of replacement parts or a new InSinkErator Product, are provided at no cost to you. Repair or replacement shall be determined by Manufacturer or its authorized service representative in their sole discretion. If Manufacturer determines that your InSinkErator Product must be replaced rather than repaired, the limited warranty on the replacement InSinkErator Product will be limited to the unexpired term remaining in the original Warranty Period.

#### Limitation of Liability

- (1) Notwithstanding any other provision of this Limited Warranty Terms, but subject to Sub-clauses (2) and (3) below, Manufacturer's and Manufacturer's Affiliates' and its and their officers', employees', agents' and sub-contractors' combined maximum aggregate liability incurred under or in connection with this Limited Warranty Terms or any collateral contract between the parties, arising in or by virtue of breach of contract, tort (including negligence), misrepresentation, breach of statutory duty, strict liability, infringement of rights or otherwise howsoever, shall in no circumstances exceed the value of the InSinkErator Product the subject of this Limited Warranty Terms.
- (2) Notwithstanding any other provision of the Limited Warranty Terms but subject to Sub-clause 3, neither Manufacturer, nor Manufacturer's Affiliates' nor its or their officers, employees, agents, or sub-contractors shall be liable under or in connection with this Limited Warranty Terms or any collateral contract for any:
  - (a) direct or indirect loss of: (i) income; (ii) actual or anticipated profits (iii) anticipated savings (iv) business (v) contracts (vi) goodwill or reputation (vii) use; or
  - (b) damage to or corruption of data; or
  - (c) indirect, special or consequential loss or damage of any kind, howsoever caused and whether arising in or by virtue of breach of contract, tort (including negligence), misrepresentation, breach of statutory duty, strict liability or infringement of rights or otherwise howsoever, whether or not such loss or damage was foreseeable or in the contemplation of the parties.
- (3) Nothing in this Limited Warranty Terms or any collateral contract shall exclude or in any way limit any liability of Manufacturer, Manufacturer's Affiliates or its or their officers, employees, agents, or sub-contractors) to the extent that such liability may not be limited or excluded as a matter of law.
- (4) SOME COUNTRIES DO NOT ALLOW THE EXCLUSION OR LIMITATION OF INCIDENTAL OR CONSEQUENTIAL DAMAGES, OR LIMITATIONS ON THE DURATION OF IMPLIED WARRANTIES OF MERCHANTABILITY OR FITNESS, SO THESE EXCLUSIONS OR LIMITATIONS MAY NOT APPLY TO YOU. THIS WARRANTY GIVES YOU SPECIFIC LEGAL RIGHTS AND YOU MAY ALSO HAVE OTHER RIGHTS, WHICH VARY, FROM COUNTRY TO COUNTRY. THE CLOSED WARRANTY DOES NOT REPLACE OR RESTRAIN CONSUMER RIGHTS UNDER THE LEGAL WARRANTY RIGHTS AND OBLIGATIONS.

InSinkErator UK Ltd  
Suite 10, Building 6,  
Croxley Park, Hatters Lane  
Watford WD18 8YH  
United Kingdom  
Sales Telephone number: +44 (0) 1 923 297 880  
Service Telephone number: +44 (0) 800 389 3715  
Service email: [https://customerservice\\_eu@whirlpool.com](https://customerservice_eu@whirlpool.com)  
EU Website: <http://www.insinkerator-worldwide.com>

InSinkErator, LLC  
Whirlpool S/A  
Rua Olympia Semeraro 675  
Andar 1 and Sala 06 Pa  
Sao Paulo, Brazil  
04183-090  
Website: [www.insinkerator.com.br](http://www.insinkerator.com.br)

InSinkErator LLC  
Whirlpool Mexico, S. de R.L de C.V  
Libramieto a Matamoros Lote 11  
Reynosa, Tamaulipas, 88710 Mexico  
Tel: (81) 8329 2000  
Service Tel: (81)8329 2100  
Website: [www.insinkerator.mx](http://www.insinkerator.mx)

InSinkErator Middle East & Africa  
Dubai, United Arab Emirates  
Phone: +971 4 811800  
Email: [insinkerator\\_mea@whirlpool.com](mailto:insinkerator_mea@whirlpool.com)  
Web: [www.insinkerator.com](http://www.insinkerator.com)

InSinkErator  
Phone: 0120-530-47  
[www.insinkerator.jp](http://www.insinkerator.jp)

# Broyeur de déchets

## Instructions d'installation

in sink erator



Scanner le code QR pour voir une vidéo de cette installation.

©2023 Tous droits réservés.

## Dimensions

### Pour les tubes d'évacuation courbés

\*Distance entre le fond de la cuve de l'évier et la ligne centrale de la sortie du broyeur. Ajouter 12,7 cm si un évier en inox est utilisé.

\*\*Longueur du tuyau d'évacuation de la ligne centrale de la sortie du broyeur à l'extrémité du tuyau d'évacuation.

\*\*\*La distance entre le fond de la cuve de l'évier et le tuyau d'évacuation doit être comprise au moins entre 20 cm et 30 cm.

Remarque: Pour les dimensions du modèle avec Cover Control, voir Cover Control

## Outils et pièces nécessaires (non compris)



### Comprend

- |                                |  |   |  |
|--------------------------------|--|---|--|
| 1. Bouchon                     | 9. Vis de 38,1 mm                      | 17. Montant Anti-Vibration Y-Pipe Mount | 25. Bouton-poussoir (3 finitions fournies)                       |
| 2. Bouchon Alba*               | 10. Vis de 28,6 mm                     | 18. Bride ressort                       | 26. Corps filet  |
| 3. Anti-refouleur              | 11. Clip circulaire                    | 19. Cl de d blocage                     | 27. Joint en caoutchouc  |
| 4. Colletterte                 | 12. Anneau de montage inférieur        | 20. Boulons                             | 28. Rondelle en inox***  |
| 5. Joint d'vier en caoutchouc* | 13. Bouchon d'entrée du lave-vaisselle | 21. Vis de mise à terre                 | 29. crou en plastique  |
| 6. Joint en fibre              | 14. Joint du tuyau en Y                | 22. Cordon d'alimentation EZ Connect    | 30. Interrupteur pneumatique avec cordon d'alimentation 3 fils** |
| 7. Bride de retenue            | 15. Bride                              | 23. Tuyau pneumatique**                 | 31. Vis de 19 mm**   |
| 8. Anneau de montage           | 16. Tuyau en Y                         | 24. Lunette (3 finitions fournies)      |  |

\*\*Certains modèles seulement

\*\*Compris dans les modèles Next Gen

\*\*\*La rondelle en inox facultative est utilisée pour les ouvertures d'évier de plus de 33 mm

## \*⚠\* Informations de sécurité

### ⚠ DANGER

indique une situation dangereuse qui, si elle n'est pas évitée, entraînera la mort ou une blessure grave.

### ⚠ AVERTISSEMENT

indique une situation dangereuse qui, si elle n'est pas évitée, pourrait entraîner la mort ou une blessure grave.

### ⚠ ATTENTION

indique une situation dangereuse qui, si elle n'est pas évitée, pourrait entraîner une blessure mineure ou modérée.

### AVIS

est utilisé pour décrire des pratiques qui ne sont pas liées à des blessures.

### CONSIGNES DE SÉCURITÉ

(ou l'équivalent) indique des instructions ou des procédures concernant la sécurité spécifique.

**⚠ AVERTISSEMENT** Lisez ces consignes attentivement. Le non-respect des instructions d'installation, d'utilisation et d'entretien par l'utilisateur peut entraîner des blessures, des fuites d'eau ou des dommages matériels.

### ⚠ AVERTISSEMENT DANGER D'ÉLECTROCUTION

Couper l'alimentation électrique au boîtier de fusibles avant de commencer l'installation.

### AVIS

- **Risque de dommages matériels.** Ne pas utiliser de silicone sur les raccords du broyeur, sauf sur la colletterte de l'évier. Ne pas utiliser de pâtes d'étanchéité.
- **Risque de dommages matériels.** Pour raccorder un lave-vaisselle, son bouchon d'entrée **DOIT** être retiré afin d'éviter un débordement du lave-vaisselle. Voir l'étape 11 ou 16.

## Retirer le broyeur de déchets existant

En cas de remplacement d'un broyeur existant, passer l'étape 1.

En l'absence de broyeur existant, couper l'alimentation électrique au niveau du boîtier de fusibles ou du disjoncteur, et brancher le drain de l'vier et passer l'étape 8.

1. Couper l'alimentation au tableau de distribution (retirer le fusible ou actionner le disjoncteur). Déconnecter le robinet de vidange du tube d'évacuation. Déconnecter le lave-vaisselle s'il est connecté au broyeur.
2. Soutenir le broyeur, insérer l'extrémité de (19) dans le côté droit de la borne de fixation et tourner. Le broyeur se détache.

### ▲ MISE EN GARDE DANGER DE CHUTE

3. Débrancher le cordon et retirer le broyeur. Le cordon d'alimentation existant ne doit pas être utilisé. Le cordon EZ Connect d'InSinkErator doit être utilisé. Passer l'étape 4.

## Retrait du montage de l'évier

4. Si la disposition du nouvel ensemble de montage est identique, vous pouvez choisir de passer l'étape 11.  
*Remarque: Pour les éviers de plus de 9,5 mm d'épaisseur, vous devrez remplacer les vis de 38,1 mm existantes (9) par des vis de 28,6 mm (10). Voir l'étape 11.*  
Au moyen d'un tournevis à tête plate, desserrer les 3 vis du montage de base.

5. Faire levier avec un tournevis à tête plate (11).
6. Retirer la collerette. Enlever l'ancien joint ou le mastic de plomberie usagé de l'vier au moyen d'un couteau mastic.

## Installer la collerette d'évier

- 7.1 Pour les modèles avec joint en caoutchouc:  
Placer (4) sur (5\*) et fixer fermement dans l'ouverture de l'vier.

### AVIS

**Domages matériels.** Un assemblage incorrect peut entraîner un risque de fuite d'eau court ou long terme.

\*Pour certains modèles seulement.

- 7.2 Pour les modèles sans joint en caoutchouc:  
Appliquer uniformément un filet de silicone autour de (4).  
Enfoncer (4) fermement dans le drain de l'vier.

### AVIS

**Domages matériels.** Un assemblage incorrect peut entraîner un risque de fuite d'eau court ou long terme.

## Fixer l'ensemble de montage

8. Placer un poids, tel que le broyeur, sur la collerette pour la maintenir en place. Utiliser une serviette pour éviter de rayer l'vier.
9. Insérer (6), (7) et (8). Tenir l'ensemble en place pendant l'insertion de (11).  
Tirer sur (11) pour l'ouvrir et presser fermement jusqu'à ce qu'il s'enclenche en position.

10. Serrer (9) uniformément et fermement contre la bride de retenue. Utiliser (10) si l'épaisseur de l'vier est supérieure à 9,5 mm.

Si l'épaisseur de l'vier est supérieure à 19 mm, une collerette allongée (FLG-SSLG), vendue séparément, est requise.



Pour le modèle S460 Utilisation du branchement du lave-vaisselle, passer l'étape 11.

Pour le modèle S460 Ne PAS raccorder un lave-vaisselle, passer l'étape 12.

## Retrait du bouchon d'entrée du lave-vaisselle (modèle S460)

IMPORTANT:

En cas de branchement du lave-vaisselle seulement

### AVIS

Si le raccordement du lave-vaisselle est effectué sans retirer le bouchon, le lave-vaisselle peut déborder.

11. Pour raccorder un lave-vaisselle, retirer le bouchon d'entrée du lave-vaisselle.

### AVIS

Le bouchon d'entrée du lave-vaisselle ne peut pas être réinstallé une fois qu'il a été retiré. Tourner le broyeur sur le côté et retirer le bouchon de vidange à l'aide d'un tournevis. Retirer le bouchon de l'intérieur du broyeur à l'aide de pinces.

## Raccordement du tuyau pneumatique au broyeur (modèle S460)

12. Insérer une extrémité du tuyau pneumatique (23) sur l'embout de l'interrupteur pneumatique intégré qui se situe sur la platine, sous le broyeur. Passer l'étape 15.1 ou 15.2.



Installation du Cover Control: Voir le Guide d'installation du Cover Control et terminer l'installation. Une fois le Cover Control installé, passer l'étape 15.1 ou 15.2 pour terminer l'installation du broyeur.

*Remarque: Le Cover Control n'est pas disponible dans tous les marchés.*



Pour tous les modèles à l'exception de S460:  
Passer l'étape 13.

## Brancher l'alimentation électrique (modèles Next Gen)

### ▲ ATTENTION

Si le cordon EZ Connect n'est pas fourni avec le broyeur, vous devez vous en procurer un séparément. Ne pas utiliser le cordon d'alimentation pré-existant.

13. Retirer (21) du bas du broyeur.  
Insérer (22) dans la découpe au fond du broyeur.  
Pousser (22) vers l'avant pour raccorder l'alimentation au broyeur.
14. Installer et serrer les pièces (21) (22) dans le fond du broyeur.

## Installation du tuyau en Y



Lire les instructions **IC** si un **Cover Control** a été installé.

- 15.1** Pour la plupart des modèles (ceux dotés des composants 14, 15 et 16) : Insérer (14) dans la sortie d'évacuation du broyeur. Fixer l'ensemble (15, 16) avec (20).
- 15.2** Pour les modèles avec le montant Anti-vibration Tailpipe Mount (ceux dotés des composants 16, 17 et 18) : Insérer (17) dans la sortie d'évacuation du broyeur. Fixer (17) avec (20). Insérer (16) et (17), et fixer avec (18).

## Retrait du bouchon d'entrée du lave-vaisselle

(Tous les modèles excepté le S460)

**IMPORTANT : En cas de branchement du lave-vaisselle seulement**

- 16.** Insérer (19) dans (13) et tourner 90° dans le sens inverse des aiguilles d'une montre.

## Raccordement du broyeur à l'ensemble de montage

- 17.** En soulevant le broyeur par le fond, le suspendre en alignant les 3 languettes de montage sur (12) avec les rampes coulissantes sur (8) et tourner légèrement le broyeur dans le sens inverse des aiguilles d'une montre.

### **AVERTISSEMENT**

Ne pas placer la tête ni le corps sous le broyeur de déchets, l'unité pourrait tomber pendant le retrait ou l'installation.

### **AVIS**

**Domages matériels :** Risque de fuite court ou long terme si les trois languettes de montage ne sont pas correctement enclenchées dans les rampes de glissement vers le haut et verrouillées en position en amont des arêtes.

- 18.** À l'aide de (19), tourner (12) jusqu'à ce que les 3 languettes de montage s'enclenchent sur les arêtes des rampes coulissantes. Tourner le broyeur pour aligner le tube d'évacuation.
- 19.** Débrancher la partie détachable de l'étiquette des spécifications et la placer dans un endroit bien visible.

Scanner le code QR figurant sur l'étiquette des spécifications pour obtenir des informations sur l'enregistrement du produit et des informations supplémentaires.

## Raccordement du broyeur à la plomberie

- 20.** Rebrancher les éléments de plomberie (et le branchement du lave-vaisselle le cas échéant).

### **AVIS**

**Domages matériels :** Risque de fuite d'eau si l'assemblage n'est pas correct.

Pour réduire les risques de fuite, la conduite d'évacuation doit avoir une pente adéquate (chute d'au moins 6,4 mm sur 0,3 m) entre le broyeur et le raccord de vidange, le raccord de vidange devant se trouver plus bas que l'évacuation du broyeur. Le non-respect de cette instruction pourrait entraîner une corrosion prématurée ou des fuites en raison de la présence d'eau stagnante dans le broyeur.

Pour les broyeurs équipés du montant Anti-Vibration Tailpipe Mount™, s'assurer que le montant du tuyau d'évacuation n'est pas courbé. Il peut être nécessaire de couper le tuyau pour l'ajuster correctement.

## Installation finale

- 21.** Si une autre finition est privilégiée : tourner (24) dans le sens inverse des aiguilles d'une montre pour retirer la finition existante (24) et (25) de (26). Installer une autre finition (24) et (25) sur (26) en tournant (24) dans le sens des aiguilles d'une montre pour fixer.
- 22.** Monter l'ensemble (24, 25, 26) sur un trou d'évier standard.
- OU
- Monter l'ensemble (24, 25, 26) sur le plan de travail en perçant un trou de 33 mm de diamètre. Placer (27) entre l'ensemble (24, 25, 26) et le haut du plan de travail de l'évier. Serrer (29) sous le plan de travail de l'évier pour garantir un joint étanche.
- \*\* Le (28) facultatif est utilisé pour les ouvertures d'évier de plus de 33 mm de diamètre. Le placer entre le plan de travail de l'évier et (27).**
- 23.** Insérer l'extrémité restante du modèle Next Gen (22) ou du modèle S460 (23) S460 au fond du (26).
- Pour le modèle S460, brancher dans la prise murale.



Pour **tous les modèles à l'exception de S460** : Passer l'étape 24.

- 24.** Monter (30) à l'aide de (31) sur un panneau de meuble de cuisine à une distance maximale de 900 mm du broyeur de déchets et de la prise électrique.
- 25.** Fixer (23) au bas de (30). Brancher (30) dans la prise électrique.

## Vérifier l'absence de fuites

- 26.1** Pour vérifier qu'il n'y a pas de fuites, insérer (3) dans (4), enfoncer uniformément jusqu'à ce qu'elle s'enclenche en place. Insérer (1) dans l'ouverture de l'évier, remplir ce dernier d'eau, retirer (1) pour vidanger l'eau, puis regarder s'il y a des fuites d'eau sous l'évier. Répéter l'alimentation électrique au niveau du boîtier de fusibles ou du disjoncteur.

## Vérifier l'absence de fuites/le fonctionnement (bouchon Alba)\*

- 26.2** Pour vérifier qu'il n'y a pas de fuites, insérer (3) dans (4), enfoncer uniformément jusqu'à ce qu'elle s'enclenche en place. Insérer (2) dans l'ouverture de l'évier, remplir ce dernier d'eau, soulever (2) pour ouvrir et vidanger l'eau. Puis vérifier s'il y a des fuites d'eau sous l'évier. Répéter l'alimentation électrique au niveau du boîtier de fusibles ou du disjoncteur.

Pour utiliser le broyeur avec le bouchon Alba, insérer lentement les déchets de cuisine dans le broyeur et placer (2) en position verticale (pour l'écoulement de l'eau) de façon à minimiser l'éjection possible de déchets pendant le broyage.

Lorsque le broyage est terminé, arrêtez le broyeur et faites couler l'eau dans la conduite d'évacuation pendant quelques secondes pour le rincer. (2) peut également servir de bouchon lorsqu'il est mis en position basse.

# CONSIGNES DE SÉCURITÉ IMPORTANTES

## CONSIGNES RELATIVES AUX RISQUES D'INCENDIE, DE CHOC ÉLECTRIQUE, DE BLESSURES ET DE DOMMAGES MATÉRIELS

### CONSIGNES DE MISE À LA TERRE

Pour tous les broyeurs mis à la terre et raccordés à l'aide d'un cordon d'alimentation :

Le broyeur doit être mis à la terre pour réduire le risque de choc électrique en cas de défaillance ou de panne. La mise à la terre fournit un chemin de moindre résistance au courant électrique. L'utilisation du cordon d'alimentation EZ Connect d'InSinkErator est requise. La fiche doit être branchée sur une prise qui est correctement installée et mise à la terre conformément à l'ensemble des codes et ordonnances locaux.

### **⚠ AVERTISSEMENT**

Un branchement inadquat du conducteur de mise à la terre d'équipement peut entraîner des risques de choc électrique. En cas de doute sur la mise à la terre du broyeur, demander l'avis d'un électricien ou d'un réparateur qualifié. Si le cordon d'alimentation EZ Connect fourni ne convient pas à la prise, ne pas modifier la fiche et ne pas tenter de la forcer dans la prise; faire installer une prise appropriée par un électricien qualifié.

- Ce broyeur doit être correctement mis à la terre.
- Ne pas fixer de fil de mise à la terre au tuyau d'alimentation du gaz.
- Couper l'alimentation électrique avant d'installer ou de réparer le broyeur.
- Le cordon d'alimentation EZ Connect doit être inséré dans une prise à 3 broches mise à la terre.
- Tout le câblage utilisé doit être conforme aux codes de l'électricité locaux en vigueur.
- Ne pas remettre le courant au panneau principal avant que des conducteurs de mise à la terre ne soient installés.

### **AVIS**

- Ne pas utiliser de silicone sur d'autres raccords du broyeur, sauf sur la collerette. Ne pas utiliser de pâtes d'étanchéité. Ces produits sont nuisibles au broyeur et peuvent causer des dommages.
- Pour les broyeurs munis d'un montant Anti-Vibration Tailpipe Mount™, le fait de ne pas utiliser la bride de tuyau ressort annulerait la garantie.
- Pour garantir un bon coulement et empêcher l'eau de stagner dans le broyeur lorsqu'un tube d'évacuation droit est utilisé, s'assurer que le raccordement du tube opposé la sortie du broyeur est situé plus bas, pas plus haut, que la sortie du broyeur.

### **⚠ AVERTISSEMENT**-Lors de l'utilisation d'appareils électriques, des précautions importantes doivent toujours être prises, y compris :

- Lire les instructions au complet avant d'utiliser l'appareil.
- Pour réduire les risques de blessure, surveiller de près les enfants lorsqu'ils se trouvent à proximité d'un appareil en marche.
- Ne pas mettre les doigts ni la main dans un broyeur de déchets.
- Mettre l'interrupteur à la position d'arrêt avant de tenter de libérer un objet coincé ou de retirer un objet du broyeur.
- Pour tenter de dégager un objet coincé dans le broyeur de déchets, utiliser la clé de blocage.
- Pour retirer des objets du broyeur de déchets, utiliser des clés ou des pinces longues manches.
- Ne pas mettre les produits ou objets suivants dans le broyeur de déchets : coquilles de palourde ou d'huître, nettoyants caustiques pour drain ou produits similaires, verre, porcelaine ou plastique, métal (tel que bouchons de bouteille, morceaux de métal, boîtes de conserve ou ustensiles), graisse chaude ou autres liquides chauds.
- Lorsque le broyeur n'est pas utilisé, laisser le bouchon en place pour éviter toute chute d'objet dans le broyeur.
- Ce produit a été conçu pour disposer des déchets de cuisine. Le fait d'insérer autre chose que des déchets de cuisine dans le broyeur pourrait entraîner des blessures et/ou des dommages matériels.
- Ne pas jeter les produits suivants dans le broyeur : peintures, solvants, produits chimiques et nettoyants ménagers, fluides pour automobiles, film plastique.
- **RISQUE D'INCENDIE** : Ne pas ranger des éléments inflammables tels que des chiffons, du papier ou des matériaux à proximité du broyeur. Ne pas ranger ni utiliser de l'essence ou d'autres produits dégagant des vapeurs ou des liquides inflammables à proximité du broyeur.
- **RISQUE DE FUITE** : Inspecter régulièrement le broyeur et les raccords de plomberie pour y détecter des fuites qui peuvent entraîner des dommages matériels et des blessures corporelles.

### **MODE D'EMPLOI\*** (GARDER CES INSTRUCTIONS)

1. Enlever le bouchon de l'ouverture de l'évier et faire couler l'eau froide.
2. Allumer le broyeur.
3. Insérer lentement les déchets de cuisine dans le broyeur.
4. Une fois le broyage terminé, éteindre le broyeur et faire couler l'eau dans la conduite d'évacuation pendant 10 à 15 secondes pour la rincer.

### CONSIGNES RELATIVES AUX RISQUES D'INCENDIE, DE CHOC ÉLECTRIQUE, DE BLESSURES ET DE DOMMAGES MATÉRIELS



## CE QUE VOUS DEVEZ FAIRE...

- Ouvrir d'abord l'eau froide, puis mettre le broyeur en marche. Continuer à faire couler l'eau froide pendant plusieurs secondes après la fin du broyage pour rincer la conduite d'évacuation.
- Broyer des objets durs tels que de petits os, des noyaux de fruits et de la glace. Une action de frottement est créée par les particules à l'intérieur de la chambre de broyage.
- Broyer des pelures d'agrumes afin de rafraîchir les odeurs que dégagent le drain.
- Au besoin, utiliser un nettoyant, un dégraissant ou un désodorisant pour éliminer les mauvaises odeurs causées par l'accumulation de graisse dans le broyeur.

### AVIS

Un rinçage inadéquat du broyeur peut endommager celui-ci et/ou provoquer des dommages matériels.

## CE QUE VOUS NE DEVEZ PAS FAIRE...

- Ne pas verser d'huile ni de graisse dans votre broyeur ou dans n'importe quel drain. La graisse pourrait s'accumuler dans les tuyaux et entraîner un blocage du drain. Verser la graisse dans un pot ou une boîte, et la mettre au rebut.
- Ne pas utiliser d'eau chaude pendant le broyage des déchets de cuisine. Le fait de faire couler de l'eau chaude dans le broyeur entre les broyages ne nuit pas à l'appareil.
- Ne pas remplir le broyeur d'une grande quantité de pelures de légumes en une seule fois. Faire plutôt couler l'eau et allumer le broyeur, puis ajouter les pelures dans le broyeur graduellement.\*
- Ne pas broyer de grandes quantités de coquilles d'œuf ou de matières fibreuses telles que des feuilles de maïs, des artichauts, etc., afin d'éviter tout blocage du tuyau.
- Ne pas tendre le broyeur avant d'avoir complètement broyé les déchets et d'entendre uniquement le bruit du moteur et de l'eau qui coule.

\*Voir le Guide d'installation du Cover Control pour les instructions d'utilisation du Cover Control.

## INSTRUCTIONS D'ENTRETIEN PAR L'UTILISATEUR

### NETTOYAGE DU BROYEUR

À la longue, des particules d'aliments peuvent s'accumuler dans la cuve de broyage et sur l'anti-refouleur. Une odeur émanant du broyeur signifie habituellement une accumulation d'aliments.

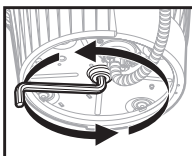
### Pour nettoyer le broyeur :

1. Poser le bouchon dans l'ouverture de l'évier et remplir ce dernier moitié avec de l'eau tiède.
2. Mélanger une solution de bicarbonate de soude avec de l'eau. Allumer le broyeur et enlever le bouchon de l'évier simultanément afin d'évacuer les particules qui se sont déposées.
3. Enlever l'anti-refouleur et le nettoyer à la main ou le mettre au lave-vaisselle. Ne pas faire fonctionner le broyeur sans avoir préalablement remis en place l'anti-refouleur.

### DÉBLOCAGE DU BROYEUR

Si le moteur s'arrête pendant que le broyeur fonctionne, il est possible que celui-ci soit bloqué. Pour débloquer le broyeur :

1. Tendre le broyeur et cesser de faire couler l'eau.
2. Insérer une extrémité de la clé de déblocage dans le trou central au bas du broyeur. Actionner la clé de déblocage vers l'avant et vers l'arrière jusqu'à ce qu'elle tourne d'un tour complet. Retirer la clé de déblocage.



3. À l'aide de pinces, retirer tout objet du broyeur.

4.1

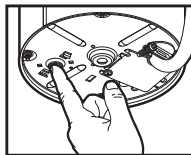


Le broyeur est équipé d'un interrupteur de surcharge automatique. Laisser le broyeur refroidir pendant une période pouvant atteindre 20 minutes avant de le remettre en marche. (Si le moteur continue de ne pas fonctionner, vérifier le panneau de service pour détecter tout disjoncteur déclenché ou fusible grillé).

4.2



Laisser le moteur du broyeur refroidir pendant 3 à 5 minutes, puis appuyer légèrement sur le bouton de réinitialisation rouge, la base du broyeur. (Si le moteur continue de ne pas fonctionner, vérifier le panneau de service pour détecter tout disjoncteur déclenché ou fusible grillé).



## Informations de garantie (période de garantie en années\*)

La garantie est terminée par le numéro de série de l'unité et la date d'installation. Un reçu d'achat ou d'installation peut être requis pour vérifier l'état de la garantie.

Enregistrez votre produit sur <http://www.insinkerator-worldwide.com> pour savoir si vous êtes admissible à l'offre de garantie. La durée de garantie varie selon les marchés.

### SERVICE APRÈS-VENTE

Si un service après-vente est requis, contactez un Centre de service autorisé InSinkErator ou votre revendeur. Les garanties sont annulées si vous démontez votre broyeur après l'installation pour essayer de le réparer ou si le broyeur est utilisé à des fins commerciales.

Le modèle et la durée de la garantie sont indiqués dans le tableau ci-dessous.

Modèle	UE	MX	BZ	Corée	Inde
S460 SR/EC/RC	2	2	2		
Premium 550 SR	3	3	3	3	3
Premium 700 SR	4	4	4		
Evolution Plus 750 SR	5	5	5	5	5
Evolution Plus 1000 SR	6	6	6	6	
Premium 550 EC	2				
Premium 700 EC	2				
Evolution Plus 750 EC	3				
Evolution Plus 1000 EC	4				
Premium 550 RC	2				
Premium 700 RC	3				
Evolution Plus 750 RC	4				
Evolution Plus 1000 RC	5				

### Informations sur la garantie

Cette garantie limitée est fournie par InSinkErator (« InSinkErator », le « Fabricant », « nous » ou « notre ») au consommateur original propriétaire du produit InSinkErator avec lequel cette garantie limitée est fournie (le « Produit InSinkErator ») et tout propriétaire subséquent de la résidence dans laquelle le Produit a initialement été installé (le « Client », « vous » ou « votre »).

InSinkErator garantit au Client que votre Produit InSinkErator sera exempt de défauts de matériaux premiers et de main d'œuvre, sous réserve des exclusions décrites ci-dessous, pendant la période de garantie (applicable au modèle de Produit InSinkErator indiqué dans cette garantie limitée), compter de la date la plus récente entre : (a) la date d'installation originale de votre Produit InSinkErator, (b)

la date d'achat ou (c) la date de fabrication identifi e par le num ro de s rie de votre Produit InSinkErator. Vous devez pr senter une documentation crite prouvant (a) ou (b). Si vous tes incapable de fournir un document prouvant (a) ou (b), la date de d but de la P riode de garantie sera d termin e par le Fabricant, son enti re discr tion, selon le num ro de s rie du Produit InSinkErator.

#### Ce qui est couvert

Cette garantie limit e couvre les d fauts de mat riaux ou de main d' uvre, sous r serve des exclusions ci-dessous, dans les Produits InSinkErator utilis s par un Client consommateur en vertu d'un usage r sidentiel seulement et comprend toutes les pi ces de rechange et les frais de main d' uvre. VOTRE SEUL ET UNIQUE RECOURS EN VERTU DE CETTE GARANTIE LIMIT E SE LIMITE LA R PARATION OU AU REMPLACEMENT DU PRODUIT INSINKERATOR. SOUS R SERVE QUE NOUS D TERMINIONS, NOTRE SEULE DISCR TION, QU'AUUCUNE AUTRE SOLUTION N'EST POSSIBLE, NOUS POURRIONS VOUS REMBOURSER LE PRIX D'ACHAT OU VOUS ACCORDER UN AVOIR SUR UN AUTRE PRODUIT INSINKERATOR.

#### Ce qui n'est pas couvert

Cette garantie limit e ne couvre pas et exclut express ment :

- Les pertes ou les dommages ou l'incapacit utiliser votre Produit InSinkErator en raison de conditions ind pendantes de la volont du Fabricant, y compris sans en exclure d'autres, les accidents, les alt rations, les mauvaises utilisations, les abus, la n gligence (autre que celle du Fabricant), le d faut d'installer, de maintenir, d'assembler ou de monter le Produit InSinkErator conform ment aux consignes du Fabricant ou aux codes locaux de plomberie ou d' lectricit .
- L'usure d coulant d'une utilisation normale, y compris, sans s'y limiter, les taches de rouille, les gratignures, les bosselures et les pertes ou dommages similaires et raisonnablement attendus. En plus des exclusions ci-dessus, cette garantie limit e ne s'applique pas aux Produits InSinkErator install s dans une application commerciale ou industrielle.

#### Aucune autre garantie formelle ne s'applique

Cette garantie limit e est la seule et unique garantie fournie au Client identifi ci-dessus. Aucune autre garantie expresse, crite ni verbale ne s'applique. Aucun employ , agent, d positifaire ou toute autre personne n'est autoris modifier cette garantie limit e ou proposer toute autre garantie au nom du Fabricant. Les conditions de cette garantie limit e ne doivent pas tre modifi es par le Fabricant, le propri taire original ni leurs successeurs ou ayant droit respectifs.

#### Ce que nous nous engageons a faire pour corriger les probl emes

Si vous avez des questions concernant votre produit InSinkErator ou si vous souhaitez savoir quand un entretien est n cessaire, veuillez appeler le service d'assistance InSinkErator au +44 800389 3715, ou utilisez le lien ci-dessous pour trouver votre bureau r gional le plus proche : <https://insinkerator.emerson.com/en-us/insinkerator-worldwide> Les renseignements suivants doivent tre fournis lors de votre r clamation au titre de la garantie: votre nom, adresse, num ro de t l phone, le num ro de s rie et le mod le de votre Produit InSinkErator et si n cessaire, sur demande, une confirmation crite de: (a) la date indiqu e sur votre re u d'installation ou (b) la date indiqu e sur votre re u d'achat.

Le Fabricant ou son repr sentant de service autoris d terminent, leur enti re discr tion, si votre Produit InSinkErator est couvert en vertu de cette garantie limit e. Vous recevrez les coordonn es du centre de service InSinkErator autoris le plus proche. Veuillez contacter votre centre de service InSinkErator directement pour obtenir une r paration de garantie domicile ou un service de remplacement. Seul un repr sentant de service autoris InSinkErator peut fournir le service de garantie. InSinkErator d cline toute responsabilit pour les r clamations de garantie d coulant de travaux effectu s sur votre Produit InSinkErator par une personne autre qu'un repr sentant de service autoris InSinkErator.

Si une r clamation couverte est effectu e pendant la P riode de garantie, le Fabricant, par l'entremise de son repr sentant de service autoris , r parera ou remplacera votre Produit InSinkErator. Les co ts des pi ces de rechange ou d'un nouveau Produit InSinkErator sont offerts. La r paration ou le remplacement seront d termin s par le Fabricant ou son repr sentant de service autoris leur enti re discr tion. Si le Fabricant d termine que votre Produit InSinkErator doit tre remplac au lieu d' tre r par , la garantie limit e sur le Produit InSinkErator de rechange se limitera la dur e restante de la P riode de garantie originale.

#### Limite de responsabilit

- (1) Nonobstant toute autre disposition des pr sentes Conditions de Garantie limit e, mais sous r serve des paragraphes (2) et (3) ci-dessous, la responsabilit globale maximale combin e du Fabricant et de ses Affili s, ainsi que de leurs dirigeants, employ s, agents et sous-traitants, encourue en vertu ou en relation avec les pr sentes Conditions de Garantie limit e ou tout contrat collat ral entre les parties, d coulant ou en vertu d'une rupture de contrat, d'un d lit (y compris la n gligence), d'une fausse d clARATION, d'une violation d'obligation l gale, d'une responsabilit stricte, d'une violation ou autrement, ne doit en aucun cas d passer la valeur du Produit InSinkErator qui est l'objet des pr sentes Conditions de Garantie limit e.
- (2) Nonobstant toute autre disposition des Conditions de Garantie limit e, mais sous r serve du paragraphe 3, ni le Fabricant, ni ses Affili s, ni leurs dirigeants, employ s, agents ou sous-traitants ne seront responsables en vertu ou en relation avec les pr sentes Conditions de Garantie limit e ou tout contrat collat ral pour tout ce qui suit:
  - (a) perte directe ou indirecte de: (i) revenu, (ii) b n fices r els ou anticip s, (iii) conomies anticip es, (iv) affaires, (v) contrats, (vi) cote d'estime ou atteinte la r putation, (vii) utilisation ou (b) dommage ou corruption de donn es; ou
  - (c) pertes ou dommages indirects, sp ciaux ou cons cutifs de toute nature, quelle qu'en soit la cause et qu'ils surviennent en vertu d'une rupture de contrat, d'un d lit (y compris la n gligence), d'une fausse d clARATION, d'un manquement une obligation l gale, d'une responsabilit stricte ou d'une violation de droits ou autrement de quelque fa on que ce soit, que ces pertes ou ces dommages soient ou non pr visibles ou envisag s par les parties.
- (3) Rien dans les pr sentes Conditions de Garantie limit e ou dans tout contrat collat ral n'exclut ni ne limite en aucune fa on toute responsabilit du Fabricant, de ses affili s ou de leurs dirigeants, employ s, agents ou sous-traitants, dans la mesure o ce cette responsabilit ne peut pas tre limit e ni exclue par la loi.
- (4) CERTAINS PAYS N'AUTORISENT PAS L'EXCLUSION NI LA LIMITATION DES RESPONSABILIT S POUR LES DOMMAGES DIRECTS OU ACCESSOIRES OU LES LIMITES RELATIVES LA DUR E DES GARANTIES IMPLICITES DE QUALIT MARCHANDE OU DE CONFORMIT ; CES EXCLUSIONS OU LIMITES POURRAIENT DONC NE PAS S'APPLIQUER VOTRE CAS. CETTE GARANTIE VOUS CONF RE DES DROITS L GAUX SP CIFIQUES ET VOUS POUVEZ AUSSI AVOIR D'AUTRES DROITS QUI PEUVENT VARIER D'UN PAYS L'AUTRE. LA PR SENTE GARANTIE NE REMPLACE NI NE LIMITE LES DROITS DES CONSOMMATEURS EN VERTU DES DROITS ET OBLIGATIONS DE GARANTIE L GALE.



امسح رمز الاستجابة السريعة (QR) لمشاهدة فيديو التركيب.



© 2023 جميع الحقوق محفوظة.

## أبعاد

### لأنبوب التصريف المنحي

- \*المسافة من قاع الحوض وحتى الخط المركزي لمخرج جهاز التخلص من مخلفات الطعام. أضف ١٢,٧ ملم عند استخدام أحواض من الصلب غير القابل للصدأ.  
\*\*طول الأنبوب الطرفي من الخط المركزي لمخرج جهاز التخلص من مخلفات الطعام وحتى نهاية الأنبوب الطرفي.  
\*\*\*لا يجب أن تقل المسافة بين قاع وعاء الحوض والأنبوب عن ٢٠ سم إلى ٣٠ سم.

ملاحظة: لأبعاد طراز Cover Control — انظر طراز Cover Control



## الأدوات والمواد اللازمة (غير مُتَحَقَّة)

### المُلحَقَات

١٧. قاعدة تثبيت لأنبوب على شكل حرف Y	١٧. براغي بطول ٣٨,١ ملم	١. سداة
٢٤. حافة (٣ قطع مُقَدَّمة)	١٠. براغي بطول ٢٨,٦ ملم	٢. سداة *Alba
٢٥. زر ضغط (٣ قطع مُقَدَّمة)	١١. الحلقة المحتجزة	٣. حاجز الحوض
٢٦. جسم مُلوَّن	١٢. حلقة التثبيت السفلي	٤. حاجز الحوض
٢٧. عازل مطاطي	١٣. سداة منفذ دخول غسالة الأطباق	٥. عازل حوض مطاطي*
٢٨. غسالة من الصلب المقاوم للصدأ***	١٤. عازل أنبوب على شكل حرف Y	٦. عازل من الألياف
٢٩. صامولة بلاستيكية	١٥. حافة "شفة"	٧. حافة "شفة" إضافية
٣٠. مفتاح هواء مع سلك توصيل من ٣ أسلاك**	١٦. أنبوب على شكل حرف Y	٨. حلقة تثبيت
٣١. مسامير لولبية ١٩ ملم**		

\* طرز معينة فقط

\*\* مضمن في طرز الجيل التالي

\*\*\* تُستخدم الغسالة الاختيارية المصنوعة من الصلب المقاوم للصدأ لفحات الحوض الأكبر من ٣٣ ملم

## \* معلومات السلامة

- خطر** يشير إلى وضع خطير يؤدي، إذا لم يتم تجنبه، إلى الوفاة أو الإصابة الخطيرة.
- تحذير** يشير إلى وضع خطير يمكن أن يؤدي، إذا لم يتم تجنبه، إلى الوفاة أو الإصابة الخطيرة.
- تنبيه** يشير إلى وضع خطير يمكن أن يؤدي، إذا لم يتم تجنبه، إلى إصابة متوسطة أو طفيفة.
- ملاحظة** يُستخدم للإشارة للممارسات غير المتعلقة بالإصابة الشخصية.
- السلامة إرشادات** (أو ما يعادلها) تشير إلى إرشادات أو إجراءات تتعلق بالسلامة تحديداً.

**تحذير** اقرأ هذه الإرشادات بتمعن. قد يؤدي عدم اتباع تعليمات التركيب والتشغيل والصيانة التي يُجريها المستخدم إلى إصابة شخصية أو تسرب المياه أو تلف الممتلكات.

### تحذير خطر الصعق

قم بإيقاف تشغيل الطاقة الكهربائية من علبة الفيوزات قبل بدء التركيب.

### ملاحظة

- **خطر تلف الممتلكات.** لا تستخدم أي مثبت سيليكون على أي توصيلة لجهاز التخلص من مخلفات الطعام بخلاف حافة "شفة" الحوض. لا تستخدم الخيوط مانعة التسرب.
- **خطر تلف الممتلكات.** في حالة توصيل غسالة الأطباق، **يجب** إزالة سداة منفذ دخول غسالة الأطباق والإفستقيض بالماء. انظر الخطوة ١١ أو ١٦.

## إزالة جهاز التخلص من مخلفات الطعام الموجود مسبقاً

إذا كنت تستبدل جهاز تخلص من مخلفات الطعام بجهاز سابق، فانتقل إلى الخطوة ١.

إذا لم يكن هناك جهاز تخلص من مخلفات الطعام موجود، فقم بابقاف الطاقة الكهربائية في قاطع الدائرة الكهربائية أو علية الفيوزات، وافصل أنبوب صرف الحوض وانتقل إلى الخطوة ٨.

١. قم بابقاف الطاقة الكهربائية في قاطع الدائرة الكهربائية أو علية الفيوزات. افصل محبس التصريف عن أنبوب صرف مخلفات جهاز التخلص من مخلفات الطعام. افصل غسالة الأطباق إذا كانت متصلة بجهاز التخلص من مخلفات الطعام.

٢. اسند جهاز التخلص من مخلفات الطعام، وأدخل طرف (١٩) في الجانب الأيمن من مقبض التثبيت وأدره. عندئذ سيفصل جهاز التخلص من مخلفات الطعام.

### ⚠ تحذير من خطر السقوط

٣. ازرع الكابيل وأزل الوحدة. يجب ألا يُعاد استخدام كابل الطاقة الموجود. يجب استخدام كابل طاقة InSinkErator EZ Connect. انتقل إلى الخطوة ٤.

## إزالة الحوض المثبت

٤. إذا كانت مجموعة التصريف المثبتة حديثاً هي ذاتها القديمة، فيمكنك الانتقال إلى الخطوة ١١.

ملاحظة: بالنسبة لأحواض الأسماك من ٩,٥ ملم، سيُعين عليك استبدال براغي ٢,٨١ ملم (٩) الموجودة ببراعي ٢,٨٦ ملم (١٠). انظر الخطوة ١١.

باستخدام مفك ذي رأس مسطح، فك الثلاثة براغي بمجموعة التثبيت.

٥. باستخدام مفك ذي رأس مسطح، اخلع (١١).

٦. أزل الحافة "الشفة" من الحوض. أزل العازل القديم أو معجون السباكة من الحوض باستخدام سكين معجون.

## رُكّب حافة "فلانشة" الحوض

١-٧. بالنسبة للطرز ذات العازل المطاطي:

ثبّت (٤) أعلى (٤٥) وضعه بإحكام في فتحة الحوض.

### ملاحظة

تلف الممتلكات: هناك خطر تسرب المياه طويل/قصير المد في حالة عدم التجميع بشكل صحيح.

\* لطرز معينة فقط.

٢-٧. بالنسبة للطرز التي لا تحتوي على عازل مطاطي:

ضع طبقة من السيليكون بالتساوي حول (٤).

اضغط بإحكام على (٤) في أنبوب صرف الحوض.

### ملاحظة

تلف الممتلكات: هناك خطر تسرب المياه طويل/قصير المد في حالة عدم التجميع بشكل صحيح.

## ربط مجموعة التثبيت

٨. ضع تَقْلاً، مثل جهاز التخلص من مخلفات الطعام، على حافة "فلانشة" الحوض لتثبيتها في مكانها. استخدم محرمة لتجنب خدش الحوض.

٩. أدخل (٦) و(٧) و(٨). ثبتهم في مكانهم أثناء إدخال (١١).

اسحب (١١) افتحها واضغط عليها بقوة حتى تستقر في مكانها.

١٠.

اربط (٩) بشكل متساوي وإحكام مقابل الحافة "الشفة" الإضافية. استخدم (١٠) إذا كان سمك الحوض أكبر من ٩,٥ ملم.

إذا كان سمك الحوض أكبر من ١٩ ملم، فستكون هناك حاجة إلى حافة "شفة" حوض موسعة (FLG-SSLG) وتباع بشكل منفصل.

بالنسبة لطرز S460 الذي يستخدم توصيلة غسالة الأطباق، انتقل إلى الخطوة ١١.

بالنسبة لطرز S460 الذي لا يتصل به غسالة أطباق، انتقل إلى الخطوة ١٢.



## إزالة سدادة منفذ دخول غسالة الأطباق

(طرز S460)

مهم: وصله غسالة الأطباق فقط

### ملاحظة

إذا تم توصيل غسالة الأطباق دون إزالة سدادة منفذ دخول غسالة الأطباق، فقد تفيض غسالة الأطباق بالمياه.

١١. في حالة توصيل غسالة الأطباق، أزل سدادة منفذ دخول غسالة الأطباق.

### ملاحظة

لا يمكن استبدال منفذ دخول غسالة الأطباق بمجرد فصله. أدر جهاز التخلص من مخلفات الطعام على الجانب وقم بإخراج سدادة الصرف باستخدام مفك. أزل السدادة من داخل جهاز التخلص من مخلفات الطعام باستخدام كمانشة.

## توصيل أنبوب الهواء إلى جهاز التخلص من مخلفات الطعام

(طرز S460)

١٢. ادفع أحد طرفي أنبوب الهواء (٢٣) على منفذ مفتاح الهواء الموجود في الجزء السفلي من جهاز التخلص من مخلفات الطعام. انتقل إلى الخطوة ١٥,١ أو ١٥,٢.

تركيب ملحق Cover Control: انتقل

إلى دليل تركيب وحدة Cover Control

وأكمل التركيب. بمجرد تركيب Cover Control،

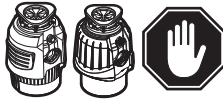
انتقل إلى الخطوة ١٥,١ أو ١٥,٢ لاستكمال تركيب

جهاز التخلص من مخلفات الطعام.



ملاحظة: Cover Control ليس متوفرًا في جميع الأسواق.

بالنسبة لجميع الطرز باستثناء S460: انتقل إلى الخطوة ١٣.



## التوصيل بمصدر كهربائي

(طرز الجبل التالي)

### ⚠ تنبيه

إذا لم يتم توفير كابل EZ Connect مع جهاز التخلص من مخلفات الطعام، فيجب شراءه بشكل منفصل. لا تقم بإعادة استخدام كابل الطاقة الموجود من قبل.

١٣. أزل (٢١) من الجزء السفلي لجهاز التخلص من مخلفات الطعام. أدخل (٢٢) في الفتحة الموجودة في الجزء السفلي من جهاز التخلص من مخلفات الطعام. ادفع (٢٢) للامام لتوصيل الطاقة بجهاز التخلص من مخلفات الطعام.

١٤. رُكّب واربط (٢١) وصولاً إلى (٢٢) وحتى الجزء السفلي من جهاز التخلص من مخلفات الطعام.

## تركيب الأنبوب على شكل حرف Y



راجع الإرشادات هنا إذا كنت قمت بتركيب ملحوظ  
Cover Control

## التركيب النهائي

٢١. إذا كنت ترغب في تركيبه أخرى:

أدر (٢٤) عكس اتجاه عقارب الساعة لإزالة التركيبية (٢٤) و(٢٥) الموجودة (٢٦).

ركب تركيبية أخرى (٢٤) و(٢٥) على (٢٦) وأدر (٢٤) في اتجاه عقارب الساعة.

٢٢. ثبتت مجموعة تركيب (٢٤) و(٢٥) عبر فوهة الحوض القياسية.

—أو—

ثبتت مجموعة تركيب (٢٤) و(٢٥) عبر الجهاز عن طريق حفر ثقب قطره ٣٣ ملم. ضع (٢٧) بين مجموعة تركيب (٢٤) و(٢٥) وأعلى سطح الحوض. اربط (٢٩) أسفل سطح الحوض لضمان عدم إحكام مانع تسرب المياه.

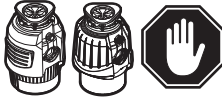
\*#استخدم القطعة (٢٨) الاختيارية لفتح الحوض ذي القطر الأكبر من ٣٣ ملم. ضعها بين سطح الحوض و(٢٧).

٢٣. أدخل الطرف الأخرى لـ (٢٢) لطراز الجيل التالي أو (٢٣)

لطراز S460 داخل قاع (٢٦).

بالنسبة لطراز S460، قم بتوصيله بمقيس حائطي.

بالنسبة لجميع الطرز باستثناء S460:  
انتقل إلى الخطوة ٢٤.



٢٤. قم بتعليق (٣٠) بشكل آمن باستخدام (٣١) على جدار الخزانة ضمن مسافة ٩٠٠ مم من المصرف والمقيس الكهربائي.

٢٥. قم بتركيب (٢٣) بالجزة السفلى من (٣٠). وقم بتوصيل (٣٠) بمقيس التيار الكهربائي.

## التحقق من التسرب

١-٢٦. للتأكد من عدم وجود تسرب، أدخل (٣) في (٤)، واضغط لأسفل حتى يستقر في مكانه. أدخل (١) في فتحة الحوض، ثم املا الحوض بالماء، ثم أزل (١) لتسريب المياه الموجودة، بعد ذلك افحص الجزء السفلي من الحوض للتحقق من عدم وجود تسرب. أعد توصيل الطاقة الكهربائية في علبة الفيوزات أو قاطع الدائرة الكهربائية.

## التحقق من التسرب/التشغيل (سدادة Alba)\*

٢-٢٦. للتأكد من عدم وجود تسرب، أدخل (٣) في (٤)، واضغط لأسفل حتى يستقر في مكانه. أدخل (٢) في فتحة الحوض، ثم املا الحوض بالماء، ثم أزل (٢) لفتحها وتصريف المياه. بعد ذلك افحص الجزء السفلي من الحوض للتحقق من عدم وجود تسرب. أعد توصيل الطاقة الكهربائية في علبة الفيوزات أو قاطع الدائرة الكهربائية.

لتشغيل جهاز التخلص من مخلفات الطعام باستخدام سدادة Alba، أدخل مخلفات الطعام ببطء في جهاز التخلص من مخلفات الطعام، وضع (٢) في وضع رأسي (للسماح بمرور الماء من خلاله) لتقليل الضوضاء وإمكانية قذف المواد أثناء عملية الطحن.

بعد الانتهاء من عملية الطحن، قم بإيقاف جهاز التخلص من مخلفات الطعام ودع الماء ينسب ليضع تروان لشطف خط الصرف. تعمل (٢) أيضاً كسدادة في الوضع المنخفض.

## تركيب الأنبوب على شكل حرف Y



راجع الإرشادات هنا إذا كنت قمت بتركيب ملحوظ  
Cover Control

١-١٥. بالنسبة لمعظم الطرز (المزودة بالغطاء ١٤ و١٥ و١٦):

أدخل (١٤) في مخرج الصرف لجهاز التخلص من مخلفات الطعام. قم بالتحقق من تثبيتك لمجموعة (١٥ و١٦) باستخدام (٢٠).

٢-١٥. بالنسبة للطرز المزودة بمثبت أنبوب طرفي مقاوم للاهتزاز (المزودة

بالغطاء ١٦ و١٧ و١٨):

أدخل (١٧) في مخرج الصرف لجهاز التخلص من مخلفات الطعام. قم بالتحقق من تثبيت (١٧) باستخدام (٢٠). أدخل (١٦) في (١٧) وتحقق من تثبيته باستخدام (١٨).

## إزالة سدادة منفذ دخول غسالة الأطباق

(جميع الطرز باستثناء S460)

مهم: للاستخدام مع وصلة غسالة الأطباق فقط

١٦. أدخل (١٩) داخل (١٣) وأدره بزاوية عكسية مقدارها ٩٠° اتجاه عقارب الساعة لإزالته.

## توصيل جهاز التخلص من مخلفات الطعام

### بمجموعة التثبيت

١٧. ارفع جهاز التخلص من مخلفات الطعام من الأسفل، علّق جهاز التخلص من مخلفات الطعام من خلال محاذاة عراوي التركيب الثلاث الموجودة على (١٢) مع مسارات التركيب الموجودة على (٨)، ثم أدر جهاز التخلص من مخلفات الطعام قليلاً في عكس اتجاه عقارب الساعة.

### تحذير

لا تضع يدك أو جسدك أسفل جهاز التخلص من مخلفات الطعام؛ فقد تسقط الوحدة أثناء إزالتها أو تركيبها.

### ملاحظة

تلف الممتلكات: هناك خطر تسرب المياه طويل/قصير المدى إذا لم يتم تعسيق عراوي التركيب الثلاث بشكل صحيح على جميع مسارات التركيب، وقلها في مكانها بعد الحواف.

١٨. باستخدام (١٩)، أدر (١٢) حتى يتم تثبيت جميع عراوي التركيب الثلاث على الحواف على مسارات التركيب. أدر جهاز التخلص من مخلفات الطعام لمحاذاة أنبوب الصرف.

١٩. انزع الجزء القابل للصلل من ملصق المواصفات وضعه في مكان مرئي.

اسمح رمز الاستجابة السريعة (QR) الموجود على ملصق المواصفات لتسجيل المنتج وللحصول على المعلومات الإضافية للمنتج.

## توصيل جهاز التخلص من مخلفات الطعام

### بوصلات السباكة

٢٠. أعد توصيل وصلات السباكة (وتوصيلة غسالة الأطباق إذا تم استخدامها).

### ملاحظة

تلف الممتلكات: هناك خطر تسرب المياه في حالة عدم التجميع بشكل صحيح. لتقليل احتمالية حدوث التسرب، يجب أن يكون خط الصرف مائلاً بشكل صحيح (لا يقل عن ٦,٤ ملم لكل قدم من التشغيل) من جهاز التخلص من مخلفات الطعام إلى وصلة الصرف، مع جعل وصلة الصرف في مستوى أدنى من أنبوب صرف جهاز التخلص من مخلفات الطعام. قد يؤدي عدم القيام بذلك إلى تآكل مبكر أو تسرب بسبب المياه الراكدة المتبقية في جهاز التخلص من مخلفات الطعام.

بالنسبة لأجهزة التخلص من مخلفات الطعام المزودة بالمسورة المثبتة المضادة للاهتزاز TM، تأكد من عدم انثقائها. قد تحتاج إلى تقليم الأنبوب لتزكيها بشكل سليم.

## إرشادات السلامة المهمة

إرشادات تتعلق بخطر نشوب حريق أو حدوث صعقة كهربية أو إصابة الأفراد أو تلف الممتلكات

### إرشادات التآريض

لجميع أجهزة التخلص من مخلفات الطعام المؤرصة والمتصلة بكابل:

يجب تآريض جهاز التخلص من مخلفات الطعام هذا لتقليل خطر التعرض لصدمة كهربية في حالة حدوث خلل أو عطل. يوفر التآريض مسارًا أقل مقاومة للتآريض الكهربى. يُطلب استخدام كابل طاقة InSinkErator EZ Connect. يجب توصيل القابس بمنفذ كهرباء تم تركيبه بشكل صحيح ومؤررض وفقًا لمجميع القوانين واللوائح المحلية.

### تحذير

- قد يؤدي التوصيل غير الصحيح لموصل تآريض الجهاز إلى خطر التعرض لصدمة كهربية. راجع أحد عمال الكهرباء أو فني مؤهل إذا كنت تشك في ما إذا كان جهاز التخلص من مخلفات الطعام مؤررضًا بشكل صحيح. إذا كان كابل الطاقة EZ Connect المقدم لا يتناسب مع منفذ الكهرباء، فلا تقم بتعديل القابس أو تحاول إدخال القابس بالقوة في المنفذ؛ بل قم بتركيب منفذ كهرباء مناسب بواسطة عامل كهرباء مؤهل.
- يجب أن يكون جهاز التخلص من مخلفات الطعام هذا مؤررضًا بشكل صحيح.
- لا تُوصَل سلكًا أرضيًا بخط إمداد الغاز.
- افصل الطاقة قبل تركيب أو صيانة جهاز التخلص من مخلفات الطعام.
- يجب إدخال كابل طاقة EZ Connect في منفذ كهرباء ذي ثلاثة ثقوب.
- يجب أن تتوافق جميع الأسلاك مع القواعد الكهربائية المحلية.
- لا تُعد توصيل التآريض الكهربى في لوحة الخدمة الرئيسية حتى يتم التآريض المناسب.

### ملاحظة

- لا تُستخدم أي مثبت السيليكون على أي توصيلة لجهاز التخلص من مخلفات الطعام بخلاف حافة "شفة" الحوض. لا تستخدم الخيوط مانعة التسرب. قد يتسبب ذلك في تلف جهاز التخلص من مخلفات الطعام ويتسبب في تلف الممتلكات.
- بالنسبة للطرز المزودة بالماسورة المثبتة المضادة للاهتزاز TM، يؤدي القفل في استخدام مثبتي خرطوم التحميل الزنبركي المزود إلى إلغاء الضمان.
- لتصريف المياه الزائدة في جهاز التخلص من مخلفات الطعام ومنع تراكمها بشكل صحيح عند استخدام أنبوب تصريف مستقيم، يجب أن تكون توصيلة الأنبوب المقابلة لمخرج جهاز التخلص من مخلفات الطعام في مستوى أدنى، وليس أعلى، من مخرج جهاز التخلص من مخلفات الطعام.

**تحذير-** عند استخدام الأجهزة الكهربائية، يجب دائمًا اتباع الاحتياطات، بما في ذلك:

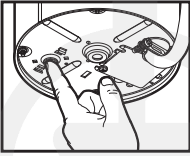
- قراءة جميع الإرشادات قبل استخدام الجهاز.
- لتقليل خطر الإصابة، يلزم المراقبة الحثيثة عند استخدام الجهاز بالقرب من الأطفال.
- عدم وضع الأصابع أو الأيدي داخل جهاز التخلص من مخلفات الطعام.
- جعل زر تشغيل على وضع إيقاف التشغيل قبل محاولة تحرير أي انحشار أو إزالة أي مادة من جهاز التخلص من مخلفات الطعام.
- عند محاولة تحرير انحشار ماء، استخدم المفتاح.
- عند محاولة إزالة بعض المواد من جهاز التخلص من مخلفات الطعام، استخدم مقلعًا ذا مقبض طويل أو كماشة.
- لا تضع ما يلي في جهاز التخلص من مخلفات الطعام: الصدف أو المحار، أو منطقات الصرف الكاوية أو المنتجات المماثلة، أو الزجاج، أو الخزف، أو البلاستيك، أو المعدن (مثل أغطية الزجاجات، أو الطلقات الفولاذية، أو علب الصفيح، أو الأواني)، أو الشحوم الساخنة أو السوائل الساخنة الأخرى.
- عند عدم تشغيل جهاز التخلص من مخلفات الطعام، اترك السدادة في مكانها لتقليل خطر سقوط المواد داخل وحدة التخلص من مخلفات الطعام.
- صُمم هذا المنتج للتخلص من مخلفات الطعام المنزلية العادية؛ وقد يؤدي إدخال مواد أخرى غير مخلفات الطعام في جهاز التخلص من مخلفات الطعام إلى إصابة شخصية و/أو تلف الممتلكات.
- لا تتخلص من ما يلي في جهاز التخلص من مخلفات الطعام: الدهانات والمذيبات والمنظفات المنزلية والمواد الكيميائية وسوائل السيارات والأغلفة البلاستيكية.
- خطر نشوب حريق: لا تُخزّن العناصر القابلة للاشتعال، مثل الخرق أو الورق أو علب الأيروسول بالقرب من وحدة التخلص من مخلفات الطعام. لا تُخزّن أو تستخدم البنزين أو الأبخرة والسوائل الأخرى القابلة للاشتعال على مقربة من جهاز التخلص من مخلفات الطعام.
- خطر التسرب: افحص جهاز التخلص من مخلفات الطعام وتركيبات السباكة بشكل منتظم للتأكد من عدم وجود تسريبات، والتي يمكن أن تتسبب في تلف الممتلكات وقد تؤدي إلى حدوث إصابات شخصية.

### إرشادات التشغيل\*

#### (احفظ بهذه الإرشادات)

1. أزل السدادة من فتحة الحوض ودع الماء البارد ينسب.
2. قم بتشغيل جهاز التخلص من مخلفات الطعام.
3. أدخل مخلفات الطعام ببطء داخل جهاز التخلص من مخلفات الطعام.
4. بعد الانتهاء من عملية الطحن، قم بإيقاف جهاز التخلص من مخلفات الطعام ودع الماء ينسب لمدة تتراوح من 5 إلى 10 ثوانٍ لتشطف خط الصرف.

إرشادات تتعلق بخطر نشوب حريق أو حدوث صعقة كهربية أو إصابة الأفراد أو تلف الممتلكات



٢-٤ اترك موتور جهاز التخلص من مخلفات الطعام ليبرد لمدة ٣ إلى ٥ دقائق، ثم اضغط برفق على زر إعادة الضبط الأحمر الموجود أسفل جهاز التخلص من مخلفات الطعام. (إذا ظل الموتور لا يعمل، فافحص لوحة الخدمة للبحث عن قاطع دائرة كهربية معطل أو فيوزات منصهرة.)

## المعلومات الضمان

### (فترة الضمان بالسنوات)\*

يُحدّد الضمان من خلال الرقم التسلسلي للوحدة وتاريخ التركيب. قد يُطلب إيصال الشراء أو التركيب للتحقق من حالة الضمان.

سجّل منتجك عبر <http://www.insinkerator-worldwide.com> لمعرفة ما إذا كنت مؤهلاً للحصول على العرض الممتد. تختلف فترة الضمان حسب السوق.

### الخدمة

إذا كانت الخدمة مطلوبة، فاقصل بمركز خدمة InSinkErator المعتمد أو الوكيل. تعتبر الضمانات باطلة إذا قمت بإزالة جهاز التخلص من مخلفات الطعام بعد التركيب وحاولت إصلاحه، أو إذا تم استخدام جهاز التخلص من مخلفات الطعام لأغراض تجارية.

يُنكر الطراز والإطار الزمني لسنة الضمان في الجدول أدناه.

الطراز	الاتحاد الأوروبي	المكسيك	البرازيل	كوريا	الهند
S460 SR/EC/RC	٢	٢	٢		
Premium 550 SR	٣	٣	٣	٣	٣
Premium 700 SR	٤	٤	٤		
Evolution Plus 750 SR	٥	٥	٥	٥	
Evolution Plus 1000 SR	٦	٦	٦	٦	
Premium 550 EC	٢				
Premium 700 EC	٢				
Evolution Plus 750 EC	٣				
Evolution Plus 1000 EC	٤				
Premium 550 RC	٢				
Premium 700 RC	٣				
Evolution Plus 750 RC	٤				
Evolution Plus 1000 RC	٥				

### معلومات الضمان

يُقدّم هذا الضمان المحدود من قبل InSinkErator ("InSinkErator" أو "الشركة المصنعة" أو "نحن" أو "خاصتنا") إلى المالك والمستهلك الأصلي لمنتج InSinkErator الذي يُقدّم هذا الضمان المحدود له ("منتج InSinkErator"), وأي مالك لاحق للمحلل الذي تم تركيب المنتج فيه في الأصل ("المبني" أو "أنت").

تضمن InSinkErator التعميل أن منتج InSinkErator سيكون خاليًا من العيوب المادية في المواد والتصنيع، مع مراعاة الاستثناءات الموضحة أدناه، لفترة الضمان (كما هو مذكور في نموذج منتج InSinkErator ذي الصلة في هذا الضمان المحدود)، ابتداءً في وقت لاحق من: (أ) تاريخ تركيب منتج InSinkErator في الأصل، أو (ب) تاريخ الشراء، أو (ج) تاريخ التصنيع على النحو المحدد في الرقم التسلسلي لمنتج InSinkErator. وسيُطلب منك تقديم وثائق مكتوبة توضح (أ) أو (ب). إذا لم تتمكن من تقديم المستندات الموضحة إما

### الغفل...

- أولاً، دح الماء البارد ينساب ثم قم بتشغيل جهاز التخلص من مخلفات الطعام. دح الماء البارد يستمر في الانسياب لمدة ثوانٍ بعد الانتهاء من عملية الطحن لشلطف خط الصرف.
- اطحن المواد الصلبة مثل العظام الصغيرة وبذور الفاكهة والتلج. تحدث عملية تنظيف بفعل الجزيئات داخل غرفة الطحن.
- اطحن قشر الفاكهة المضضية لإعناش رائحة الصرف.
- استخدم منظفاً أو مزيل شحوم أو مزيل روائح عند الضرورة للتخلص الروائح الكريهة الناتجة عن تراكم الشحوم.

### ملاحظة

قد يؤدي عدم شلطف جهاز التخلص من مخلفات الطعام بشكل صحيح إلى تلفه و/أو تلف الممتلكات.

### لا تفعل...

- لا تصب الشحم أو الدهون في جهاز التخلص من مخلفات الطعام أو خط الصرف. فقد تتجمع في الأنابيب وتؤدي إلى انسدادها. ضع الشحم في برطمان أو علب، تخلص منه في سلة المهملات.
- لا تستخدم الماء الساخن عند طحن مخلفات الطعام. يمكن تصريف الماء الساخن في جهاز التخلص من مخلفات الطعام بين فترات الطحن.
- لا تملأ جهاز التخلص من مخلفات الطعام بالكثير من قشور الخضراوات مرة واحدة. بدلاً من ذلك، افتح الماء وقم بتشغيل جهاز التخلص من مخلفات الطعام أولاً، ثم أدخل القشور تدريجياً.\*
- لا تطحن كميات كبيرة من قشر البيض أو المواد اللبغية مثل قشور الذرة والخرشوف وما إلى ذلك، لتجنب الانسداد المحتمل لخط الصرف.
- لا تقم بإيقاف تشغيل جهاز التخلص من مخلفات الطعام حتى اكتمال عملية الطحن وسماع صوت المحرك والماء فقط. \*يجب على مستخدم Cover Control الرجوع إلى دليل تعليمات Cover Control.

### إرشادات صيانة المستخدم

#### تنظيف جهاز التخلص من مخلفات الطعام

بمرور الوقت، من الممكن أن تتراكم أجزاء الطعام في غرفة الطحن والحجز. ودائماً ما يكون انبعاث رائحة من جهاز التخلص من مخلفات الطعام علامة على تراكم مخلفات الطعام.

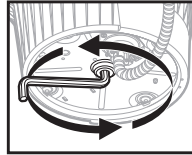
#### لتنظيف جهاز التخلص من مخلفات الطعام:

١. ضع السادة في فتحة الحوض واملأ الحوض حتى المنتصف بالماء الدافئ.
٢. اصنع مزيجاً من صودا الخبز مع الماء. قم بتشغيل جهاز التخلص من مخلفات الطعام، وأزل السادة من الحوض في الوقت نفسه لشلطف الجزيئات السائبة.
٣. أزل حاجز الحوض ونظفه ببيك أو في غسالة الأطباق. لا تقم بتشغيل جهاز التخلص من مخلفات الطعام دون وجود حاجز الحوض في مكانه.

#### تحرير الانحسار في جهاز التخلص من مخلفات الطعام

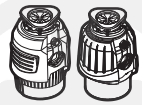
إذا توقّف المحرك أثناء تشغيل جهاز التخلص من مخلفات الطعام، فقد تحسّر المواد في جهاز التخلص من مخلفات الطعام.

لتحرير الانحسار:



١. قم بإيقاف تشغيل جهاز التخلص من مخلفات الطعام والماء.
٢. أدخل أحد طرفي المفتاح داخل مركز الثقب الموجود في قاع جهاز التخلص من مخلفات الطعام. حرك المفتاح للأمام والخلف حتى يدور دورة كاملة. أزل المفتاح.
٣. قم بالوصول إلى داخل جهاز التخلص من مخلفات الطعام باستخدام مققط وأخرج العالق (العوالق).

- ١-٤ يزود جهاز التخلص من مخلفات الطعام بمفتاح تحميل زائد أو توماتيكي. اترك جهاز التخلص من مخلفات الطعام ليبرد لمدة تصل إلى ٢٠ دقيقة قبل إعادة تشغيله مرة أخرى. (إذا ظل الموتور لا يعمل، فافحص لوحة الخدمة للبحث عن قاطع دائرة كهربية معطل أو فيوزات منصهرة.)



(أ) أو (ب)، سيتم تحديد تاريخ بدء فترة الضمان من قبل الشركة المصنعة، وفقاً لتقديرها الوحيد والمطلق، بناءً على الرقم التسلسلي لمنتج InSinkEratator.

#### المشمول بالضمان

يعطي هذا الضمان المحدود العيوب المادية في المواد والصناعة، مع مراعاة الاستثناءات أدناه، في منتجات InSinkEratator

التي يستخدمها المستهلك للاستخدام السكني فقط، وتشمل جميع قطع الغيار وتكاليف العمالة. يقتصر الإصلاح الوحيد والحصري المضمن في منتج InSinkEratator على إصلاح منتج InSinkEratator أو استبداله. وذلك شريطة أن نقرر وفقاً لتقديرنا الوحيد أنه لا يوجد أي إصلاح عملي، ويمكننا أن نرد لك ثمن شركتنا أو أن نمسك خصماً على منتج آخر من InSinkEratator.

#### غير المشمول بالضمان

لا يمتد هذا الضمان المحدود إلى ما يلي ويستثنى صراحةً:

- الخسائر أو الأضرار أو عدم القدرة على تشغيل منتج InSinkEratator الناتج عن ظروف خارجة عن سيطرة الشركة المصنعة بما في ذلك، على سبيل المثال لا الحصر، الحوادث أو التغيير أو سوء الاستخدام أو إساءة الاستخدام أو الإهمال أو التهاون (بخلاف الشركة المصنعة) أو القتل في تركيب منتج InSinkEratator أو صيانتته أو تجميعه أو تثبيته وفقاً لإرشادات الشركة المصنعة أو قواعد الكهروإتاء والسباكة المحلية.
- التلف أو التآكل المتوقع حدوثهما خلال فترة الاستخدام العادية، بما في ذلك على سبيل المثال لا الحصر، أو صدأ الجهاز أو الخدوش أو الانبعاجات أو الخسائر والأضرار المشابهة والمتوقعة بشكل معقول. بالإضافة إلى الاستثناءات المذكورة أعلاه، لا ينطبق هذا الضمان المحدود على منتجات InSinkEratator المركبة في المنشآت التجارية أو الصناعية.

#### لا يسري أي ضمان سريع آخر

هذا الضمان المحدود هو الضمان الوحيد والحصري المقدم للتعليق المحدد أعلاه. ولا يسري أي ضمان صريح آخر، سواء كان مكتوباً أو شفهياً، لا يحق لأي موظف أو وكيل أو تاجر أو أي شخص آخر بتغيير هذا الضمان المحدود أو تقديم أي ضمان آخر بالنيابة عن الشركة المصنعة. ولا يجوز تعديل شروط هذا الضمان المحدود من قبل الشركة المصنعة، أو المالك الأصلي، أو خلفائهم، أو المتنازل لهم.

#### ما نفعله لتصحیح المشاكل

إذا كانت لديك أسئلة تتعلق بمنتج InSinkEratator، أو كيفية تحديد وقت الحاجة إلى الخدمة، فيرجى الاتصال بخدمة ودعم InSinkEratator على الرقم ٣٧١٥ ٨٠٠.٣٨٩ ٤٤٤، أو استخدم الرابط أدناه للمثور على أقرب مكتب إقليمي لك:

<http://insinkerator.emerson.com/en-us/insinkerator-worldwide>

يجب تقديم المعلومات التالية كجزء من مطالبتك بالضمان: اسمك وعنوانك ورقم هاتفك وطرز منتج InSinkEratator والرقم التسلسلي، وإذا لزم الأمر عند الطلب، فيلزم وجود تأكيد كتابي بما يلي: (أ) التاريخ الموضح في إيصال التركيب، أو (ب) التاريخ الموضح في إيصال الشراء.

يحدد الشركة المصنعة أو ممثل الخدمة المعتمد، وفقاً لتقديرها الخاص والمطلق، ما إذا كان منتج InSinkEratator الخاص بك مشمولاً بهذا الضمان المحدود. وستحصل على معلومات الاتصال الخاصة بالقرب من مركز خدمة معتمد لـ InSinkEratator. يرجى الاتصال بمركز خدمة InSinkEratator مباشرة لتلقي خدمة إصلاح الضمان المنزلي أو استبدال المنتج. لا يجوز إلا لممثل خدمة InSinkEratator المعتمد تقديم خدمة الضمان. إن InSinkEratator غير مسؤولة عن مطالبات الضمان الناشئة عن العمل الذي يتم إجراؤه على منتج InSinkEratator بواسطة أي شخص بخلاف ممثل خدمة InSinkEratator المعتمد.

إذا تم تقديم مطالبة مشمولة خلال فترة الضمان، فستقوم الشركة المصنعة، من خلال ممثل خدمتها المعتمد، إما بإصلاح أو استبدال منتج InSinkEratator الخاص بك. يتم توفير خدمة قطع الغيار أو استبدال منتج InSinkEratator الجديد دون أي تكلفة عليك. تحدد الشركة المصنعة أو ممثل الخدمة المعتمد عملية الإصلاح أو الاستبدال وفقاً لتقديره الوحيد. إذا قررت الشركة المصنعة أنه يجب استبدال منتج InSinkEratator الخاص بك بدلاً من إصلاحه، فيقتصر الضمان المحدود على منتج InSinkEratator البديل على المدة المتبقية في فترة الضمان الأصلية.

#### تحديد المسؤولية

(١) بعض النظر عن أي شرط من شروط الضمان المحدود هذا، ولكن وفقاً للبلدين الفرعيين (٢) و(٣) أدناه، لا يجوز أن تتجاوز قيمة الالتزامات المجمعمة المتكيدة للشركة المصنعة والشركات التابعة لها ومسؤوليتها وموظفيها ووكلائها ومتعاقدتها الفرعيين، بموجب شروط الضمان المحدود أو فيما يتعلق به أو بأي عقد ضمان بين الأطراف، التي تنشأ نتيجة الإخلال بالعقد، أو الضرر (بما في ذلك الإهمال)، أو التحريف، أو الإخلال بالواجب القانوني، أو المسؤولية المشددة، أو انتهاك الحقوق، أو شيء آخر، تحت أي ظرف قيمة منتج InSinkEratator بموجب شروط الضمان المحدود هذا.

(٢) وبعض النظر عن أي شرط من شروط الضمان المحدود ولكن وفقاً للبلد الفرعي ٣، لا تتحمل الشركة المصنعة أو الشركات التابعة لها أو مسؤوليها أو موظفيها أو وكلاؤها أو متعاقدوها الفرعيين المسؤولية بموجب أو فيما يتعلق بشروط الضمان المحدود هذا أو أي عقد ضمان لأي مما يلي:

- (أ) الخسارة المباشرة أو غير المباشرة لكل من: (١) الدخل؛ (٢) الأرباح الفعلية أو المتوقعة (٣) المنخرات المتوقعة (٤) العمل (٥) العقود (٦) الشهرة أو السمعة (٧) الاستخدام؛ أو

(ب) إلحاق الضرر بالبيانات أو تلفها؛ أو  
(ج) الخسارة أو الضرر غير المباشر أو الخاص أو التبعية أو أي نوع، مهما كان سببه وسواء كان ناشئاً بسبب الإخلال بالعقد، أو الضرر (بما في ذلك الإهمال)، أو التحريف، أو الإخلال بالواجب القانوني، أو المسؤولية المشددة، أو انتهاك الحقوق، أو أي شيء آخر، سواء كانت هذه الخسارة أو الضرر متوقفاً أم لا أو في تفكير الأطراف.

(٣) لا يوجد في شروط الضمان المحدود هذا أو أي عقد ضمان ما يستبعد أو يحد بأي شكل من الأشكال من أي مسؤولية تقع على عاتق الشركة المصنعة أو الشركات التابعة لها أو مسؤوليها أو موظفيها أو وكلائها أو متعاقدتها الفرعيين إلى الحد الذي لا يجوز فيه تقييد هذه المسؤولية أو استبعادها كمسألة قانونية.

(٤) لا تسمح بعض البلدان بتهميش أو تقييد الأضرار العرضية أو التبعية، أو القيود المفروضة على مدة الضمانات الضمنية الخاصة بالتسويق أو الصلاحية، لذلك قد لا تنطبق عليك هذه الاستثناءات أو القيود. يمكنك هذا الضمان حقوقاً قانونية محددة وقد يكون لديك أيضاً حقوق أخرى، والتي تختلف من دولة إلى أخرى. لا يحل الضمان المرفق محل حقوق المستهلك أو يفيدتها بموجب حقوق والتزامات الضمان القانونية.

# Triturador de residuos alimentarios

## Instrucciones de instalación

in sink erator



Escanee el código QR para ver el vídeo de instalación.

© 2023 Todos los derechos reservados.

## Dimensiones

### Con tubo de descarga curvo

\*Distancia desde el fondo del fregadero hasta la línea central de la salida del triturador. Añada 12,7 mm cuando utilice fregaderos de acero inoxidable.

\*\*Longitud del tubo de descarga desde la línea central de la salida del triturador hasta el extremo del tubo de descarga.

\*\*\*La distancia entre el fondo del fregadero hasta el tubo de descarga debe ser, como mínimo, de 20 a 30 cm.

**Nota:** Para las dimensiones del modelo Cover Control, consulte el apartado Cover Control

## Herramientas y materiales necesarios (no incluidos)



### Incluye

- |                                   |                                      |   |  |
|-----------------------------------|--------------------------------------|---|--|
| 1. Tapón                          | 9. Tornillos de 38,1 mm              | 17. Soporte del tubo en Y antivibraciones | 25. Pulsador (disponible en 3 acabados)                  |
| 2. Tapón Alba*                    | 10. Tornillos de 28,6 mm             | 18. Abrazadera del muelle                 | 26. Cuerpo roscado                                       |
| 3. Deflector del fregadero        | 11. Anillo de cierre                 | 19. Llave pequeña                         | 27. Junta de caucho                                      |
| 4. Brida del fregadero            | 12. Anillo de montaje inferior       | 20. Pernos                                | 28. Arandela de acero inoxidable***                      |
| 5. Junta de caucho del fregadero* | 13. Tapa de entrada del lavavajillas | 21. Tornillo de puesta a tierra           | 29. Tuerca de plástico                                   |
| 6. Junta de fibra                 | 14. Junta del tubo en Y              | 22. Cable eléctrico EZ Connect            | 30. Interruptor de aire con cable eléctrico de 3 hilos** |
| 7. Brida de soporte               | 15. Brida                            | 23. Tubo de aire**                        | 31. Tornillos de 19 mm**                                 |
| 8. Anillo de montaje              | 16. Tubo en Y                        | 24. Engaste (disponible en 3 acabados)    |  |

\*Solo modelos específicos

\*\*Incluido con los modelos Next Gen

\*\*\*La arandela opcional de acero inoxidable se usa para las aberturas del fregadero de un tamaño superior a 33 mm

## \*⚠\* Información de seguridad

**⚠ PELIGRO** indica una situación de peligro que, si no se evita, dará como resultado la muerte o lesiones graves.

**⚠ ADVERTENCIA** indica una situación de peligro que, si no se evita, puede dar como resultado la muerte o lesiones graves.

**⚠ PRECAUCIÓN** indica una situación de peligro que, si no se evita, podría provocar daños menores o moderados.

**AVISO** se usa para hacer frente a las prácticas no relacionadas con lesiones personales.

**INSTRUCCIONES DE SEGURIDAD** (o equivalente) las señales indican una seguridad específica relacionada con las instrucciones o los procedimientos.

**⚠ ADVERTENCIA** Lea detenidamente estas instrucciones. Si no se respetan las instrucciones de instalación, uso y mantenimiento del usuario, podrían producirse lesiones a las personas, fugas de agua o daños a la propiedad.

**⚠ ADVERTENCIA SOBRE EL RIESGO DE DESCARGA ELÉCTRICA**  
Desconecte la alimentación eléctrica en la caja de fusibles antes de comenzar la instalación.

### AVISO

- **Riesgo de daños a la propiedad.** No use un sellador de silicona en ninguna conexión del triturador, salvo en la brida del fregadero. No use sellantes de rosca.
- **Riesgo de daños a la propiedad.** Si se conecta a un lavavajillas, el tapón de entrada de este **DEBE** retirarse ya que, de lo contrario, se produciría un desbordamiento del mismo. Consulte los pasos 11 o 16.

## Retire el triturador existente

Si está sustituyendo un triturador existente, vaya al Paso 1.

Si no hay un triturador existente, desconecte la alimentación eléctrica en el interruptor o la caja de fusibles, desconecte el drenaje del fregadero y vaya al Paso 8.

1. Desconecte la alimentación eléctrica en el cuadro de interruptores o la caja de fusibles. Desconecte la trampa de desagüe del tubo de descarga de residuos. Desconecte el lavavajillas si este está conectado al triturador.
2. Sujete el triturador, inserte el extremo (19) en el lado derecho de la aleta de montaje y gírela. El triturador quedará liberado.

### ⚠ ADVERTENCIA SOBRE EL RIESGO DE CAÍDA

3. Desconecte el cable y retire la unidad. No debe reutilizar el cable eléctrico existente. Debe usarse el cable eléctrico InSinkErator EZ Connect. Continúe en el paso 4.

## Retirada del soporte de montaje del fregadero

4. Si el conjunto de montaje del nuevo triturador es el mismo, puede continuar en el paso 11.  
*Nota: En los fregaderos con un espesor superior a 9,5 mm, tendrá que sustituir los tornillos existentes de 38,1 mm (9) por tornillos de 28,6 mm (10). Consulte el paso 11.*  
Usando un destornillador de cabeza plana, afloje los 3 tornillos del conjunto de montaje.
5. Retírelos usando un destornillador de cabeza plana (11).
6. Retire la brida del fregadero. Retire la vieja junta o la masilla de fontanería del fregadero usando una espátula para masilla.

## Instale la brida del fregadero

- 7.1 Para los modelos con junta de caucho: Instale (4) sobre (5\*) y colóquelo firmemente sobre la abertura del fregadero.

### AVISO

**Daños a la propiedad.** Riesgo de fuga de agua a corto y largo plazo si no se instala adecuadamente.

\*Solo para modelos específicos.

- 7.2 Para los modelos sin junta de caucho: Aplique un cordón de silicona uniformemente alrededor (4).  
Presione (4) firmemente sobre el drenaje del fregadero.

### AVISO

**Daños a la propiedad.** Riesgo de fuga de agua a corto y largo plazo si no se instala adecuadamente.

## Conecte el conjunto de montaje

8. Coloque un peso, como el triturador, sobre la brida del fregadero para sujetarlo. Use una toalla para evitar arañar el fregadero.
9. Inserte (6), (7) y (8). Sujételo mientras inserta (11). Abra (11) y presione firmemente hasta que encaje en su sitio.

10. Apriete (9) uniforme y firmemente contra la brida de soporte. Use (10) si el fregadero tiene un espesor superior a 9,5 mm.

Si el fregadero tiene un espesor superior a 19 mm, se necesita una brida de fregadero extendida (FLG-SSLG) que se vende por separado.



Para el modelo S460 Para usar la conexión del lavavajillas, vaya al paso 11.

Para el modelo S460 Si no se conecta a un lavavajillas, continúe en el paso 12.

## Retirada de la tapa de entrada del lavavajillas

(modelo S460)

IMPORTANTE: Solo la conexión del lavavajillas

### AVISO

Si se realiza la conexión del lavavajillas sin retirar la tapa de entrada de este, podría rebosar el lavavajillas.

11. Si se conecta un lavavajillas, retire la tapa de entrada de este.

### AVISO

La tapa de entrada del lavavajillas no puede sustituirse una vez que se haya retirado. Doble la vuelta al triturador sobre un costado y retire la tapa de drenaje con un destornillador. Retire la tapa del interior del triturador con unos alicates.

## Conecte el tubo de aire al triturador (modelo S460)

12. Presione en un extremo del tubo de aire (23) sobre la boquilla del interruptor de aire situado en la parte inferior del triturador. Vaya al paso 15.1 o al 15.2.



**Instalación del accesorio de Cover Control:** Vaya a la Guía de instalación de Cover Control y complete la instalación. Una vez instalado Cover Control, vaya al paso 15.1 o 15.2 para finalizar la instalación del triturador.

*Nota: Cover Control no está disponible en todos los mercados.*



Para Todos los modelos, salvo el S460: Vaya al paso 13.

## Conecte el suministro eléctrico (modelos Next Gen)

### ⚠ PRECAUCIÓN

Si el cable EZ Connect no se suministra con el triturador, deberá comprarse por separado. No reutilice el cable eléctrico existente.

13. Retire (21) del fondo del triturador. Inserte (22) en el interruptor del fondo del triturador. Empuje (22) hacia adelante para conectar la alimentación eléctrica al triturador.
14. Instale y apriete (21) a través de (22) y en el fondo del triturador.

## Instalación del tubo en Y



Vuelva a consultar las instrucciones **AQUÍ** si ha instalado un accesorio **Cover Control**.

- 15.1** En la mayoría de modelos (los que tienen los componentes 14, 15 y 16):  
Inserte (14) en la salida de descarga del triturador.  
Fije el conjunto (15, 16) con (20).
- 15.2** En los modelos con Tailpipe Mount (los que tienen los componentes 16, 17 y 18):  
Inserte (17) en la salida de descarga del triturador. Fije el (17) con (20). Inserte (16) en (17) y fíjelo con (18).

## Retirada de la tapa de entrada del lavavajillas

(Todos los modelos, salvo el S460)

**IMPORTANTE:** Solo la conexión del lavavajillas

- 16.** Inserte (19) en (13) y gire 90° en sentido contrario a las agujas del reloj para retirarlo.

## Conecte el triturador al conjunto de montaje

- 17.** Levantando el triturador del fondo, sosténgalo alineando las 3 pestañas de montaje en (12) con las rampas deslizantes de (8) y gire ligeramente el triturador en sentido contrario a las agujas del reloj.

### ⚠ ADVERTENCIA

No coloque su cabeza o el cuerpo bajo el triturador, ya que la unidad podría caer durante su retirada o instalación.

### AVISO

**Daños a la propiedad:** Hay un riesgo de fuga de agua a corto y largo plazo si las tres pestañas de montaje no se conectan correctamente en todas las rampas deslizantes y se fijan en su posición pasadas las crestas.

- 18.** Usando (19), gire (12) hasta que las 3 pestañas de montaje se cierren sobre los bordes de las rampas deslizantes. Gire el triturador para alinear el tubo de descarga.
- 19.** Separe la parte extraíble de la etiqueta de especificaciones y colóquela en una posición visible.

Escanee el código QR de la etiqueta de especificaciones para registrar el producto y obtener información adicional sobre este.

## Conectar el triturador a la fontanería

- 20.** Reconectar la fontanería (y la conexión del lavavajillas si se utiliza).

### AVISO

**Daños a la propiedad:** Riesgo de fuga de agua si no se instala adecuadamente.

Para reducir la posibilidad de fugas, la línea de drenaje debe colocarse adecuadamente (a no menos de 6,4 mm de inclinación por cada 0,3 m de tramo) desde el triturador hasta la conexión de drenaje, donde la conexión de drenaje debe quedar a menor altura que la descarga del triturador. Si no se procede como se indica, podría producirse una corrosión prematura o fugas debido a la presencia de agua en el triturador.

Para los trituradores que dispongan de Anti-Vibration Tailpipe Mount™, asegúrese de que el soporte del tubo de descarga no esté doblado. Puede que sea necesario recortar el tubo para instalarlo correctamente.

## Instalación final

- 21.** Si se prefiere un acabado distinto:  
Gire (24) en sentido contrario a las agujas del reloj para retirar el acabado existente (24) y (25) de (26).  
Instale un acabado distinto (24) y (25) en (26) girando (24) en sentido horario para fijarlo.
- 22.** Instale el conjunto (24, 25, 26) a través de un orificio estándar del fregadero.  
O,  
Instale el conjunto (24, 25, 26) a través de una encimera taladrando un orificio de 33 mm de diámetro. Coloque (27) entre el conjunto (24, 25, 26) y la parte superior de la encimera del fregadero. Apriete (29) bajo la encimera del fregadero para garantizar un sellado estanco.  
**\*\* El elemento opcional (28) se usa para aberturas del fregadero superiores a 33 mm de diámetro. Colóquelo entre la encimera del fregadero y (27).**
- 23.** Inserte el otro extremo del modelo Next Gen (22) o el modelo S460 (23) en el fondo de (26).  
Para el modelo S460, debe conectarse a la toma de corriente.



Para **todos los modelos, salvo el S460:** Continúe en el paso 24.

- 24.** Instale la pieza (30) firmemente con (31) sobre la pared de un armario a menos de 900 mm del triturador y la toma de corriente.
- 25.** Fije la pieza (23) a la parte inferior de (30).  
Conecte la pieza (30) a la toma de corriente.

## Comprobación de fugas

- 26.1** Para comprobar si hay fugas, inserte (3) en (4) y presione uniformemente hasta que se sitúe en su posición. Inserte (1) en la abertura del fregadero, llene este con agua, retire (1) del drenaje y luego mire debajo del fregadero por si hay una fuga de agua. Vuelva a conectar la alimentación eléctrica en la caja de fusibles o en el cuadro de interruptores.

## Comprobación de fugas y el funcionamiento (Tapón Alba)\*

- 26.2** Para comprobar las fugas, inserte (3) en (4), y presione uniformemente hasta que se sitúe en su posición. Inserte (2) en la abertura del fregadero, llene este con agua y eleve (2) para abrir el drenaje. A continuación, mire bajo el fregadero para ver si hay fugas. Vuelva a conectar la alimentación eléctrica en la caja de fusibles o en el cuadro de interruptores.  
Para usar el triturador con el tapón Alba, inserte lentamente residuos de alimentos en el triturador y coloque (2) en posición vertical (dejando que el agua pasar) para minimizar el ruido y la posible expulsión de material durante el triturado.

Una vez completada la trituración, apague el triturador y haga correr agua durante unos segundos para limpiar la línea de drenaje. (2) también actúa como tapón en la posición m/s baja.

# INSTRUCCIONES DE SEGURIDAD IMPORTANTES

## INSTRUCCIONES RELATIVAS AL RIESGO DE INCENDIO, DESCARGA ELÉCTRICA, LESIONES PERSONALES O DAÑOS A LA PROPIEDAD

### INSTRUCCIONES DE PUESTA A TIERRA

Para todos los trituradores conectados a tierra mediante cable:

este triturador debe conectarse a tierra para reducir el riesgo de descarga eléctrica en caso de un fallo de funcionamiento o rotura. La conexión a tierra proporciona una vía de menor resistencia para la corriente eléctrica. Es necesario usar el cable eléctrico InSinkErator EZ Connect. El enchufe debe conectarse a una toma de corriente adecuadamente instalada y conectada a tierra de acuerdo con la legislación, códigos y ordenanzas locales.

#### **⚠ ADVERTENCIA**

Una conexión inadecuada del conductor de conexión a tierra del equipo podría dar lugar a un riesgo de descarga eléctrica. Consulte a un electricista cualificado si tiene alguna duda sobre la conexión a tierra del triturador. Si el cable eléctrico EZ Connect no es compatible con la toma de corriente, no modifique el enchufe ni intente forzarlo sobre la toma de corriente. Instale una toma de corriente adecuada acudiendo a un electricista cualificado.

- Este triturador debe conectarse a tierra adecuadamente.
- No conecte el cable de tierra a una tubería de suministro de gas.
- Desconecte la alimentación eléctrica antes de instalar o realizar un mantenimiento del triturador.
- El cable eléctrico EZ Connect debe insertarse en la toma de corriente conectada a tierra de 3 orificios.
- Todo el cableado debe cumplir los códigos eléctricos locales.
- No vuelva a conectar la corriente eléctrica del panel eléctrico principal hasta que haya instalado correctamente las conexiones a tierra.

#### **AVISO**

- No use un sellador de silicona en ninguna conexión del triturador, salvo en la brida del fregadero. No use sellantes de rosca. Estos podrían dañar el triturador y provocar daños a la propiedad.
- Para los modelos equipados con Anti-Vibration Tailpipe Mount™, si no se usa la abrazadera de la manguera de carga de muelle suministrada se invalida la garantía.
- Para drenar adecuadamente y evitar la acumulación de agua en el triturador al utilizar un tubo de descarga recto, la conexión del tubo en el lado opuesto a la salida del triturador debe estar a menor altura, no a una altura superior, respecto a la salida del triturador.

#### **⚠ ADVERTENCIA:** Al usar

electrodomesticos, deben seguirse siempre las precauciones básicas, entre otras:

- Leer todas las instrucciones antes de usar el electrodomestico.
- Para minimizar el riesgo de lesiones, debe haber una supervisión estrecha cuando se use un electrodomestico cerca de los niños.
- No introduzca los dedos o las manos en el triturador.
- Gire el interruptor hasta la posición de apagado antes de intentar eliminar un atasco o retirar un objeto del triturador.
- Al intentar eliminar un atasco en un triturador de residuos, use la llave pequeña.
- Al intentar retirar objetos de un triturador de residuos, use pinzas o alicates con asas largas.
- No coloque los siguientes elementos en el interior de un triturador: almejas o conchas de ostras, limpiadores de drenajes corrosivos o productos similares, cristales, vajilla de porcelana, plástico, metales (como tapones de botellas, granalla de acero, latas o utensilios de cocina), grasa caliente u otros líquidos.
- Cuando no utilice el triturador, deje el tapón en su posición para minimizar el riesgo de caída de objetos dentro.
- Este producto está diseñado para triturar residuos alimentarios del hogar. Insertar otro tipo de materiales en el triturador podría causar lesiones personales o daños a la propiedad.
- No elimine los siguientes elementos en el triturador; pinturas, disolventes, limpiadores y productos químicos para el hogar, fluidos de automoción, y envolturas de plástico.
- **RIESGO DE INCENDIO:** No almacene objetos inflamables como trapos, papel o latas de aerosoles cerca del triturador. No almacene ni use gasolina u otros vapores y líquidos inflamables en las proximidades del triturador.
- **RIESGO DE FUGAS:** Inspeccione periódicamente el triturador y los accesorios de fontanería por si hubiera fugas, ya que estas podrían causar daños a la propiedad y provocar lesiones personales.

#### **INSTRUCCIONES DE FUNCIONAMIENTO\*** (GUARDE ESTAS INSTRUCCIONES)

1. Retire el tapón de la abertura del fregadero y deje correr agua fría.
2. Encienda el triturador.
3. Inserte, lentamente, residuos de alimentos en el triturador.
4. Una vez finalizada la trituración, apague el triturador y deje correr agua durante 10 a 15 segundos para limpiar la tubería de drenaje.

#### **INSTRUCCIONES RELATIVAS AL RIESGO DE INCENDIO, DESCARGA ELÉCTRICA, LESIONES PERSONALES O DAÑOS A LA PROPIEDAD**



## HAGA LO SIGUIENTE

- Primero, deje correr el agua fría y encienda el triturador. Deje que corra el agua fría durante unos segundos una vez completada la trituración para limpiar la tubería de drenaje.
- Triture los materiales duros como peque os huesos, pepitas de frutas y hielo. Las partículas dentro de la cámara de trituración crean una acción de restregado.
- Triture la piel de frutas cítricas para eliminar los olores del drenaje.
- Use un limpiador de trituradores, desengrasante o desodorante según sea necesario para eliminar los olores desagradables provocados por la acumulación de grasas.

### AVISO

Si no se lava el triturador adecuadamente, podrían producirse olores en el mismo o en la propiedad.

## NO HAGALO SIGUIENTE

- No vierta grasas en su triturador ni en los drenajes. Esta puede acumularse en las tuberías y causar atascos. Coloque la grasa en un frasco y elimínela en el cubo de la basura.
- No use agua caliente al triturar residuos alimentarios. Puede drenar agua caliente en el triturador entre los periodos de triturado.
- No rellene el triturador con muchas pieles de vegetales todas a la vez. En lugar de ello, abra el agua y encienda el triturador y luego inserte las pieles poco a poco\*.
- No triture grandes cantidades de cáscaras de huevo o materiales fibrosos como cáscaras de maíz, alcachofas, etc., para evitar posibles atascos del drenaje.
- No apague el triturador hasta que haya finalizado la trituración y solo se oiga el sonido del motor y el agua.  
\*El usuario de Cover Control debe consultar el manual de usuario de Cover Control.

## INSTRUCCIONES DE MANTENIMIENTO DEL USUARIO

### LIMPIEZA DEL TRITURADOR

Con el tiempo, las partículas de alimentos pueden acumularse en la cámara de trituración y el deflector. El olor procedente del triturador suele indicar una acumulación de alimentos.

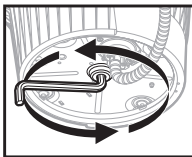
### Para limpiar el triturador:

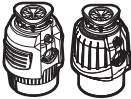
1. Coloque el tapón en la abertura del fregadero y rellene este con agua caliente a la mitad.
2. Mezcle bicarbonato sódico y agua. Encienda el triturador y retire el tapón del fregadero al mismo tiempo para eliminar cualquier partícula suelta.
3. Retire el deflector del fregadero y límpielo a mano o en el lavavajillas. No use el triturador sin el deflector del fregadero colocado en su posición.


### ELIMINACIÓN DE ATASCOS EN EL TRITURADOR

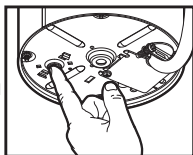
Si el motor se detiene cuando está funcionando el triturador, este puede haberse atascado. Para eliminar un atasco:

1. Apague el triturador y cierre el grifo del agua.
2. Inserte un extremo de la llave pequeña en el orificio central del fondo del triturador. Mueva la llave pequeña a uno y otro lado hasta que realice un giro completo. Retire la llave pequeña.
3. Introduzca unas tenacillas dentro del triturador y retire los objetos.



- 4.1  El triturador está equipado con un interruptor de sobrecarga automático. Deje que el triturador se enfríe durante unos 20 minutos antes de volver a encenderlo. (Si el motor sigue sin funcionar, compruebe el panel de mantenimiento por si hay interruptores activados o se ha quemado algún fusible).

- 4.2  Deje que el motor del triturador se enfríe durante 3 a 5 minutos y luego pulse ligeramente el botón de reinicio rojo en el fondo del triturador. (Si el motor sigue sin funcionar, compruebe el panel de mantenimiento por si hay interruptores activados o se ha quemado algún fusible.)



## Información de garantía (Período de garantía en años\*)

La garantía está determinada por el número de serie de la unidad y la fecha de instalación. Es posible que se requiera un recibo de compra o instalación para verificar el estado de la garantía.

Registre su producto en <http://www.insinkerator-worldwide.com> para ver si reúne los requisitos para la oferta extendida. El período de garantía varía según el mercado.

### SERVICIO

Si es necesario dar servicio, comuníquese con un centro de servicio autorizado de InSinkErator o con su distribuidor. Las garantías quedarán anuladas si retira el triturador después de la instalación e intenta repararlo, o si el triturador se utiliza con fines comerciales.

El período de tiempo del modelo y del año de garantía se detalla en el cuadro a continuación.

Modelo	UE	MX	BZ	Korean	India
S460 SR/EC/RC	2	2	2		
Premium 550 SR	3	3	3	3	3
Premium 700 SR	4	4	4		
Evolution Plus 750 SR	5	5	5	5	5
Evolution Plus 1000 SR	6	6	6	6	
Premium 550 EC	2				
Premium 700 EC	2				
Evolution Plus 750 EC	3				
Evolution Plus 1000 EC	4				
Premium 550 RC	2				
Premium 700 RC	3				
Evolution Plus 750 RC	4				
Evolution Plus 1000 RC	5				

# Triturador de desperdicios de comida



## Instrucciones de instalación



Escanee el código QR para ver un video de la instalación.

©2023 Todos los derechos reservados.

## Dimensiones

### Para tubos de descarga curvos

\*Distancia desde el fondo del fregadero hasta la línea central de la salida de descarga. Añada 12.7 mm si tiene un fregadero de acero inoxidable.

\*\*Largo del tubo de descarga desde la línea central de la salida de descarga hasta el extremo del tubo de descarga.

\*\*\*La distancia desde la parte inferior del fregadero hasta la tubería de desperdicios debe ser de 20 a 30 cm como mínimo.

**Nota:** Para ver las dimensiones del modelo de Cover Control, consulte el manual de instalación, cuidado y uso (ICU) del Cover Control.

## Herramientas y materiales necesarios (no incluidos)



### Incluye

- |                                 |   |   |  |
|---------------------------------|---|---|--|
| 1. Tapón                        | 9. Tornillos de 38.1 mm                 | 17. Soportes de tubo en Y antivibratorios | 25. Pulsador (se suministran 3 acabados)                 |
| 2. Tapón Alba*                  | 10. Tornillos de 28.6 mm                | 18. Abrazadera del soporte                | 26. Cuerpo roscado                                       |
| 3. Deflector del fregadero      | 11. Anillo sujetador                    | 19. Llave pequeña                         | 27. Junta de goma  |
| 4. Brida del fregadero          | 12. Anillo de montaje inferior          | 20. Pernos                                | 28. Arandela de acero inoxidable***                      |
| 5. Junta de goma del fregadero* | 13. Tapa de la entrada del lavavajillas | 21. Tornillo a tierra                     | 29. Tuerca plástica                                      |
| 6. Junta de fibra               | 14. Junta de tubo en Y                  | 22. Cable eléctrico EZ Connect            | 30. Interruptor de aire con cable eléctrico de 3 hilos** |
| 7. Brida de apoyo               | 15. Brida                               | 23. Tubo de aire**                        | 31. Tornillos de 19 mm**                                 |
| 8. Anillo de montaje            | 16. Tubo en Y                           | 24. Engaste (se suministran 3 acabados)   |  |

\*Solo modelos específicos

\*\*Incluido en los modelos Next Gen

\*\*\*La arandela opcional de acero inoxidable se usa para las aberturas del fregadero de un tamaño superior a 33 mm

## \*⚠\* Información para su seguridad

**⚠ PELIGRO** indica una situación riesgosa, la cual, si no se evita, provocar lesiones graves o incluso la muerte.

**⚠ ADVERTENCIA** indica una situación riesgosa, la cual, si no se evita, puede ocasionar lesiones graves o incluso la muerte.

**⚠ PRECAUCIÓN** indica una situación riesgosa, la cual, si no se evita, puede provocar heridas leves o moderadas.

**AVISO** hace referencia a prácticas que no presentan riesgos de generar lesiones personales.

**INSTRUCCIONES DE SEGURIDAD** (o equivalentes) son señales que designan instrucciones o procedimientos específicos relacionados con la seguridad.

**⚠ ADVERTENCIA** Lea atentamente estas instrucciones. Si no sigue las instrucciones de mantenimiento para el usuario, de funcionamiento y de instalación, puede provocar lesiones personales, fugas de agua o daños materiales.

### ⚠ ADVERTENCIA, PELIGRO DE DESCARGA ELÉCTRICA

Desconecte el suministro eléctrico desde la caja de fusibles antes de empezar la instalación.

### AVISO

- **Riesgo de daño a la propiedad.** No use sellador de silicona en ninguna conexión del triturador que no sea la brida del fregadero. No utilice selladores de rosca.
- **Riesgo de daño a la propiedad.** Para conectar un lavavajillas, **SE DEBE** retirar la tapa de la entrada del lavavajillas. De lo contrario, podría desbordarse. Consulte los pasos 11 o 16.

## Retirar el triturador de desperdicios anterior

Si tiene que reemplazar un triturador existente, continúe al paso 1.

Si no hay un triturador existente, desconecte el suministro eléctrico desde el disyuntor o la caja de fusibles, desconecte el desagüe del fregadero y continúe al paso 8.

1. Desconecte la energía eléctrica en la caja principal de fusibles o del disyuntor. Desconecte la trampa de desagüe del tubo de descarga de desperdicios. Desconecte el lavavajillas si está conectado al triturador.
2. Sostenga el triturador, inserte el extremo de (19) en el lado derecho de la aleta de montaje y gírela. El triturador se liberará.

### ⚠ PRECAUCIÓN: Peligro de caída

3. Desconecte el cable y retire la unidad. El cable de alimentación existente no se debe reutilizar. Se debe utilizar un cable de alimentación InSinkErator EZ Connect. Continúe al paso 4.

## Retiro del montaje del fregadero

4. Si el conjunto de montaje del triturador nuevo es el mismo, puede continuar con el paso 11.  
*Nota: Para los fregaderos con un espesor mayor que 9,5 mm, deberá reemplazar los tornillos existentes de 38,1 mm (9) por tornillos de 28,6 mm (10). Consulte el paso 11.*  
Con un destornillador de punta plana, afloje los 3 tornillos del conjunto de montaje.

5. Con un destornillador de punta plana, retire (11).
6. Retire la brida del fregadero. Retire la junta o la masilla de plomería viejas del fregadero con una espátula.

## Instalar el fregadero

- 7.1 **Para modelos con junta de goma:**  
coloque (4) sobre (5\*) y luego colóquelos con solidez en la abertura del fregadero.

### AVISO

**Daños a la propiedad.** Si no se coloca de la manera adecuada, existe riesgo de filtración de agua a corto o largo plazo.

*\*Solo para modelos específicos.*

- 7.2 **Para modelos sin junta de goma:**  
aplique, de manera pareja, una tira gruesa de masilla de plomería alrededor de (4).  
Presione (4) con firmeza en el desagüe del fregadero.

### AVISO

**Daños a la propiedad.** Si no se coloca de la manera adecuada, existe riesgo de filtración de agua a corto o largo plazo.

## Conectar el conjunto de montaje

8. Coloque un peso, por ejemplo, el triturador, sobre la brida del fregadero para mantenerla en su lugar. Utilice una toalla para evitar que el fregadero se raye.
9. Inserte (6), (7) y (8). Sosténgalos en el lugar mientras inserta (11).  
Abra (11) y presione firmemente hasta que encaje en el lugar.

10. Ajuste (9) de manera pareja y firme contra la brida de soporte. Utilice (10) si el fregadero tiene más de 9,5 mm de espesor.

Si el fregadero tiene un espesor mayor que 19 mm, se necesitará una brida de fregadero extendida (FLG-SSLG), que se vende por separado.



Para el **Modelo S460** que utiliza la conexión del lavavajillas, diríjase al paso 11.

Para el **Modelo S460** que NO se conecta a un lavavajillas, continúe hasta el paso 12.

## Retirar la tapa de la entrada del lavavajillas

(Modelo S460)

**IMPORTANTE: Solo para la conexión del lavavajillas**

### AVISO

Si el lavavajillas se conecta sin retirar la tapa de la entrada del lavavajillas, este podría rebalsarse.

11. Para conectar un lavavajillas, retire la tapa de la entrada del lavavajillas.

### AVISO

La tapa de la entrada del lavavajillas no se puede volver a colocar una vez que se retira. Gire el triturador hacia un lado y retire el tapón de drenaje con un destornillador. Retire el tapón del interior del triturador con ayuda de una pinza.

## Conecte el tubo de aire al triturador (Modelo S460)

12. Presione un extremo del tubo de aire (23) sobre la boca del interruptor de aire, que está ubicado en la parte inferior del triturador. Continúe con el paso 15.1 o 15.2.



**Instalación del accesorio de Cover Control:** consulte la Guía de instalación del control de la cubierta y complete la instalación. Una vez que haya instalado el Cover Control, continúe al paso 15.1 o 15.2 para completar la instalación del triturador.

*Nota: El Cover Control no está disponible en todos los mercados.*



Para todos los modelos excepto S460: continúe al paso 13.

## Conectar al suministro eléctrico (modelos Next Gen)

### ⚠ PRECAUCIÓN

Si el cable EZ Connect no se suministra con el triturador, se debe comprar por separado. No reutilice un cable de alimentación existente.

13. Retire (21) de la parte inferior del triturador. Inserte (22) en el recorte de la parte inferior del triturador.  
Empuje (22) para conectar la electricidad al triturador.
14. Instale y ajuste (21) a través de (22) y debajo del triturador.

## Instalación del tubo en Y



Vuelva a consultar las instrucciones [AQUÍ](#) si instaló un accesorio de Cover Control.

**15.1** Para la mayoría de los modelos (aquellos con componentes 14, 15 y 16): inserte (14) en la salida de la descarga del triturador. Asegure el conjunto (15, 16) con (20).

**15.2** Para los modelos con Anti-vibration Tailpipe Mount (aquellos con componentes 16, 17 y 18): inserte (17) en la salida de la descarga del triturador. Asegure (17) con (20). Inserte (16) en (17) y asegúrelo con (18).

## Retirar la tapa de la entrada del lavavajillas

(todos los modelos excepto S460)

**IMPORTANTE:** Solo para la conexión del lavavajillas

**16.** Inserte (19) en (13) y gire 90° en el sentido contrario a las agujas del reloj para retirar.

## Conectar el triturador al conjunto de montaje

**17.** Levantando el triturador de la parte inferior, colóquelo alineando las 3 lengüetas de montaje en (12) con las rampas deslizables en (8) y gire levemente el triturador en sentido contrario a las agujas del reloj.

### ⚠ ADVERTENCIA

No coloque la cabeza ni el cuerpo debajo del triturador, ya que la unidad podría caerse mientras la instala o la retira.

### AVISO

**Daños a la propiedad:** riesgo de filtración de agua a corto o largo plazo si las 3 lengüetas de montaje no se acoplaron a las rampas deslizantes ni encajaron en el lugar m s all de los bordes.

**18.** Utilice (19) y gire (12) hasta que las 3 lengüetas de montaje se cierren sobre los bordes de las rampas deslizables. Rote el triturador para alinear el tubo de descarga.

**19.** Desprenda la parte desmontable de la etiqueta de especificaciones y colóquela en un lugar visible.

Escanee el código QR de la etiqueta de especificaciones para obtener más información sobre el producto.

## Conecte el triturador a la plomería

**20.** Vuelva a conectar la plomería (y la conexión del lavavajillas, si es que lo utiliza).

### AVISO

**Daño a la propiedad:** si no se coloca de la manera adecuada existe riesgo de filtración de agua.

Para reducir la posibilidad de fugas, la línea del drenaje debe tener la inclinación correcta (no menos de 6.4 mm de inclinación por 0.3 m de tramo) desde el triturador hasta la conexión del drenaje, y la conexión del drenaje debe estar m s baja que la descarga del triturador. Si no se coloca de manera apropiada, puede provocar corrosión prematura o filtraciones debido al agua estancada en el triturador.

Para los trituradores equipados con Anti-Vibration Tailpipe Mount™, asegúrese de que el montaje del tubo de descarga esté derecho. Es posible que deba recortar el tubo para que ajuste bien.

## Instalación final

**21.** Si prefiere un acabado diferente: gire (24) en el sentido contrario a las agujas del reloj para retirar los acabados (24) y (25) existentes de (26). Instale acabados (24) y (25) diferentes sobre (26) y gire (24) en el sentido de las agujas del reloj, para fijar.

**22.** Monte el conjunto (24, 25, 26) a trav s de un orificio de fregadero est ndar.

O

Monte el conjunto (24, 25, 26) a trav s de la encimera. Para esto, perforo un orificio de 33 mm de di metro. Coloque (27) entre el conjunto de (24, 25, 26) y la parte superior de la encimera del fregadero. Ajuste (29) por debajo de la encimera del fregadero para lograr un sello herm tico.

**\*\* El componente (28) opcional se utiliza para aberturas de fregadero de más de 33 mm de diámetro. Colóquelo entre la encimera del fregadero y (27).**

**23.** Inserte el otro extremo de (22) del modelo Next Gen o (23) del modelo S460 en la parte inferior de (26).

Para el modelo S460, enchufe a un toma de corriente en la pared.



Para **Todos los modelos**, **salvo el S460:** Continúe al paso 24.

**24.** Instale (30) con (31) en una pared de la alacena a 900 mm del triturador y del toma de corriente el cttrica.

**25.** Conecte (23) a la parte inferior de (30). Enchufe (30) al toma de corriente el cttrica.

## Controlar si hay fugas

**26.1** Para asegurarse de que no haya fugas, inserte (3) en (4) y presione de manera uniforme hasta que encaje en el lugar. Inserte (1) en la abertura del fregadero, llene el fregadero con agua, retire (1) para drenar y luego mire debajo del fregadero para comprobar si hay fugas de agua. Vuelva a conectar el suministro el cttrico desde el disyuntor o la caja de fusibles.

## Comprobar si hay fugas/ Funcionamiento (tapón Alba)\*

**26.2** Para asegurarse de que no haya fugas, inserte (3) en (4) y presione de manera uniforme hasta que encaje en el lugar. Inserte (2) en la abertura del fregadero, llene el fregadero con agua, eleve (2) para abrir y drenar, y luego mire debajo del fregadero para comprobar si hay fugas de agua. Vuelva a conectar el suministro el cttrico desde el disyuntor o la caja de fusibles.

Para utilizar el triturador con el tapón Alba, introduzca de a poco desperdicios de comida dentro del triturador y coloque (2) en posición vertical (para permitir que pase agua) con el fin de minimizar el ruido y la posible expulsión de materiales durante la trituración.

Una vez que se ha completado la trituración, apague el triturador y deje correr el agua durante unos segundos para enjuagar la línea de drenaje. En la posición inferior, (2) tambi n actúa como tapón.

# INSTRUCCIONES IMPORTANTES PARA SU SEGURIDAD

## INSTRUCCIONES SOBRE RIESGO DE INCENDIO, CHOQUE ELÉCTRICO, LESIONES PERSONALES O DAÑOS A LA PROPIEDAD

### INSTRUCCIONES DE CONEXIÓN A TIERRA

Para todos los trituradores con conexión a tierra conectados por cable:

Este triturador debe estar conectado a tierra a fin de reducir el riesgo de descarga eléctrica en caso de mal funcionamiento o avería. La conexión a tierra proporciona una vía de menor resistencia para la corriente eléctrica. Se debe utilizar un cable de alimentación InSinkErator EZ Connect. El enchufe se debe conectar a un tomacorriente que esté instalado y conectado a tierra correctamente según los códigos y ordenanzas locales.

#### **⚠ ADVERTENCIA**

La conexión incorrecta de un conductor a tierra puede dar lugar a choques eléctricos. Consulte a un electricista calificado o un especialista en reparaciones si no está seguro respecto de si el triturador está correctamente conectado a tierra. Si el cable de alimentación EZ Connect que se suministra no coincide con el tipo de tomacorriente, no altere el enchufe ni lo fuerce para que entre en el tomacorriente; pídale a un electricista calificado que instale un tomacorriente adecuado.

- El triturador debe tener una conexión a tierra correcta.
- No conecte el cable de conexión a tierra en un tubo de suministro de gas.
- Desconecte la corriente eléctrica antes de instalar o reparar el triturador.
- El cable de alimentación EZ Connect se debe insertar en un receptáculo de 3 orificios con conexión a tierra.
- Todo el cableado debe cumplir con los códigos eléctricos locales.
- No reconecte la corriente eléctrica al panel de servicio principal sino hasta que se instalen las conexiones a tierra adecuadas.

#### **AVISO**

- No use sellador de silicona en ninguna conexión del triturador que no sea la brida del fregadero. No utilice selladores de rosca. Estos productos pueden dañar el triturador y ocasionar daños a la propiedad.
- Para los modelos equipados con Anti-Vibration Tailpipe Mount™, la garantía se anula si no usa la abrazadera de manguera accionada por resorte, que viene incluida.
- Para lograr un drenaje adecuado y evitar la acumulación de agua en el triturador cuando se usa un tubo de descarga recto, la conexión del tubo del lado opuesto a la salida del triturador debe estar más abajo, no más arriba que la salida del triturador.

**⚠ ADVERTENCIA:** Al usar artefactos electrodomésticos, siempre se deben tomar precauciones básicas, entre las que se incluyen las siguientes:

- Lea todas las instrucciones antes de utilizar el aparato.
- Para reducir el riesgo de lesiones, se debe intensificar la supervisión cuando se usa un artefacto cerca de niños.
- No ponga los dedos ni las manos dentro de un triturador de desperdicios.
- Coloque el interruptor de encendido en la posición de apagado antes de tratar de eliminar un atasco o retirar un objeto del triturador.
- Para eliminar obstrucciones de un triturador de desperdicios, utilice la llave pequeña de autoservicio.
- Al tratar de extraer objetos de un triturador de desperdicios, use tenazas o pinzas de mango largo.
- No coloque los siguientes elementos dentro de un triturador: conchas de almejas u ostras, limpiadores de drenaje químicos o productos similares, vidrio, loza o plástico, metales (como tapas de botellas, granalla de acero, latas o utensilios), grasa caliente ni otros líquidos calientes.
- Cuando el triturador no está en funcionamiento, deje el tapón del drenaje en su lugar para reducir el riesgo de que algún objeto caiga en el triturador.
- Este producto está diseñado para deshacerse de desperdicios normales de los alimentos hogareños; insertar materiales que no son desperdicios en el triturador podría ocasionar lesiones personales o daños a la propiedad.
- No utilice el triturador para desechar alguno de los siguientes elementos: pinturas, solventes, limpiadores de uso doméstico, productos químicos, líquidos para automóviles o envolturas de plástico.
- PELIGRO DE INCENDIO: no guarde artículos inflamables, como trapos, papel o aerosoles, cerca del triturador. No guarde ni utilice gasolina ni otros vapores o líquidos inflamables cerca del triturador.
- PELIGRO DE FUGA: revise periódicamente el triturador y los acoples de plomería para ver si hay fugas que puedan ocasionar daños materiales y a la vez provocar lesiones personales.

#### **INSTRUCCIONES DE OPERACIÓN\*** (GUARDE ESTAS INSTRUCCIONES)

1. Retire el tapón del fregadero y haga correr agua fría.
2. Encienda el triturador.
3. Introduzca lentamente los desperdicios de comida dentro del triturador.
4. Cuando haya finalizado la trituración, apague el triturador y deje correr el agua durante 10 o 15 segundos para enjuagar la línea de drenaje.

#### **INSTRUCCIONES SOBRE RIESGO DE INCENDIO, CHOQUE ELÉCTRICO, LESIONES PERSONALES O DAÑOS A LA PROPIEDAD**



## LO QUE DEBE HACER...

- Primero haga correr el agua fría y luego encienda el triturador. Después de que termine la trituración, deje correr el agua durante varios segundos para enjuagar la línea de drenaje.
- Triture materiales duros, como huesos pequeños, carozos de frutas y hielo. Las partículas crean una acción de restregado en el interior de la cámara de trituración.
- Triture cáscaras de frutas cítricas para mejorar los olores del drenaje.
- Utilice un limpiador, desengrasante o desodorante para trituradores cuando sea necesario a fin de eliminar malos olores causados por la acumulación de grasa.

### AVISO

Si no enjuaga el triturador de la manera adecuada, puede provocar daños al triturador o a la propiedad.

## LO QUE NO DEBE HACER...

- No vierta grasa ni aceite en el triturador ni en ningún drenaje. Estos materiales se pueden acumular en las cañerías y tapan el drenaje. Coloque la grasa en un frasco o lata desechable en la basura.
- No use agua caliente para triturar desperdicios de comidas. Puede dejar correr agua caliente en el triturador entre períodos de trituración.
- No llene el triturador con demasiadas cáscaras de vegetales al mismo tiempo. Primero abra la llave del agua y encienda el triturador; luego coloque las cáscaras gradualmente.\*
- No triture grandes cantidades de cáscaras de huevo ni materiales fibrosos, como barbas de choclo, alcachofas, etc., pues ello podría obstruir el drenaje.
- No apague el triturador hasta que la trituración esté completa y solo se escuche el sonido del motor y del agua.

\*El usuario de Cover Control debe consultar el manual de instrucciones de Cover Control.

## INSTRUCCIONES DE MANTENIMIENTO PARA EL USUARIO

### LIMPIEZA DEL TRITURADOR

Con el tiempo, pueden acumularse partículas de comida en la cámara de trituración y el deflector. En general, los malos olores provenientes del triturador son un signo de acumulación de comida.

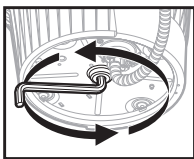
### Para limpiar el triturador:

1. Coloque el tapón en la abertura del fregadero y llénelo con agua tibia hasta la mitad.
2. Prepare una solución de bicarbonato de sodio con agua. Encienda el triturador y retire el tapón del fregadero al mismo tiempo para eliminar las partículas sueltas.
3. Retire el deflector del fregadero y límpielo a mano o en el lavavajillas. No opere el triturador sin el deflector del fregadero en su lugar.

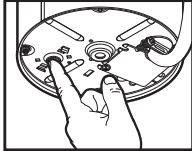
## CÓMO LIBERAR LAS OBSTRUCCIONES DEL TRITURADOR

Si el motor se detiene durante el funcionamiento del triturador, puede ser debido a una obstrucción. Para liberar las obstrucciones:

1. Apague el triturador y cierre la llave de agua.
2. Inserte un extremo de la llave pequeña en el orificio central de la parte inferior del triturador. Mueva la llave hacia delante y hacia atrás hasta que gire una vuelta completa. Retire la llave.
3. Introduzca unas tenazas dentro del triturador y retire los objetos.



- 4.1 El triturador está equipado con un interruptor de sobrecarga automático. Permita que el triturador se enfríe por un período de 20 minutos antes de encenderlo nuevamente. (Si el motor sigue sin funcionar, revise el panel de servicio para ver si hay disyuntores activados o fusibles quemados).

- 4.2 Permita que el motor del triturador se enfríe durante 3 a 5 minutos y luego presione suavemente el botón rojo de reinicio, ubicado en la parte inferior del triturador. (Si el motor sigue sin funcionar, revise el panel de servicio para ver si hay disyuntores activados o fusibles quemados).
- 

## Información sobre la garantía (Período de la garantía en años\*)

La garantía se determina con el número de serie de la unidad y la fecha de instalación. Es posible que necesite el recibo de compra o instalación para verificar el estado de la garantía.

Registre su producto en <http://www.insinkerator-worldwide.com> para consultar si le corresponde una extensión de la oferta. El período de la garantía varía según el mercado.

### SERVICIO TÉCNICO

Si necesita solicitar un servicio técnico, comuníquese con el centro de servicios autorizado de InSinkErator o con su distribuidor. La garantía se anula si retira el triturador de desperdicios después de haberlo instalado e intenta repararlo, o si usa el triturador de desperdicios para fines comerciales.

Puede encontrar el modelo y el plazo de la garantía en la tabla que figura a continuación.

Modelo	Unión Europea	México	Brasil	Corea	India
S460 SR/EC/RC	2	2	2		
Premium 550 SR	3	3	3	3	3
Premium 700 SR	4	4	4		
Evolution Plus 750 SR	5	5	5	5	5
Evolution Plus 1000 SR	6	6	6	6	
Premium 550 EC	2				
Premium 700 EC	2				
Evolution Plus 750 EC	3				
Evolution Plus 1000 EC	4				
Premium 550 RC	2				
Premium 700 RC	3				
Evolution Plus 750 RC	4				
Evolution Plus 1000 RC	5				

# Triturador de resíduos alimentares

in sink erator

Instruções de instalação



Escaneie o código QR para assistir ao vídeo de instalação.

©2023 Todos os direitos reservados.

## Dimensões

### Para tubos de descarga curvos

\*Distância do fundo da cuba até a linha de centro da saída do triturador. Acrescente 12,7 mm se forem usadas cubas em aço inoxidável.

\*\*Comprimento do tubo de descarga da linha de centro da saída do triturador até a extremidade do tubo de descarga.

\*\*\*A distância entre o fundo da cuba da pia até a tubulação de resíduos deve ter no mínimo 20 cm a 30 cm.

**Nota:** Consulte as dimensões do modelo Cover Control no Manual de instalação, cuidado e uso (ICU) do Cover Control

## Ferramentas e materiais necessários (Não incluídos)



### Inclui

- |                               |  |  |   |
|-------------------------------|--|--|---|
| 1. Tampa                      | 10. Parafusos de 28,6 mm               | 18. Bra adeira da mola                 | 25. Botão de pressão (3 acabamentos fornecidos)           |
| 2. Tampa Alba*                | 11. Anel de pressão                    | 19. Chave fornecida                    | 26. Corpo roscado   |
| 3. Placa defletora da pia     | 12. Anel de montagem inferior          | 20. Parafusos                          | 27. Gaxeta de borracha                                    |
| 4. Flange da pia              | 13. Tampão de entrada da lava-lou a    | 21. Parafuso de aterramento            | 28. Arruela de aço inoxidável***                          |
| 5. Gaxeta de borracha da pia* | 14. Gaxeta de tubo em Y                | 22. Cabo de alimentação EZ Connect     | 29. Porca de plástico                                     |
| 6. Gaxeta de fibra            | 15. Flange                             | 23. Tubo de ar**                       | 30. Interruptor de ar com cabo de alimentação de 3 fios** |
| 7. Flange de segurança        | 16. Tubo em Y                          | 24. Engaste (3 acabamentos fornecidos) | 31. Parafusos de 19 mm**                                  |
| 8. Anel de montagem           | 17. Montagem em tubo em Y antivibração |  |   |
| 9. Parafusos de 38,1 mm       |  |  |   |

\* Apenas modelos específicos

\*\* Incluído com modelos Next Gen

\*\*\* A arruela de aço inoxidável opcional é usada para aberturas de pia maiores que 33 mm

## \*⚠\* Informações de segurança

### ⚠ PERIGO

indica um a situação de risco que, se não for evitada, levar a morte ou lesão grave.

### ⚠ ALERTA

indica um a situação de risco que, se não for evitada, pode levar a morte ou lesão grave.

### ⚠ CUIDADO

indica um a situação de risco que, se não for evitada, pode levar a lesão leve ou moderada.

### AVISO

usado para tratar de práticas não relacionadas a lesão pessoal.

### INSTRUÇÕES DE SEGURANÇA

(ou equivalentes) indicam instruções ou procedimentos relacionados especificamente a segurança.

**⚠ ALERTA** Leia essas instruções com cuidado. O não cumprimento das Instruções de instalação, operação e manutenção pelo usuário pode resultar em lesão pessoal, vazamentos de água ou danos materiais.

### ⚠ ALERTA DE RISCO DE CHOQUE ELÉTRICO

Desligue a eletricidade da caixa de fusível antes de iniciar a instalação.

### AVISO

- **Risco de danos materiais.** Não utilize silicone em nenhuma conexão do triturador que não seja o flange da pia. Não utilize vedação rosca.
- **Risco de danos materiais.** Se estiver conectando a uma lava-lou a, o tampão de entrada da lava-lou a **PRECISA** ser retirado ou a lava-lou a pode transbordar. Consulte os passos 11 ou 16.

## Removendo o triturador de resíduos existente

Se voc estiver substituindo um **Tritrador de resíduos existente**, continue com o **Passo 8**.

Caso não haja um **Tritrador de resíduos existente**, desligue a eletricidade em um disjuntor ou caixa de fusível, desconecte o ralo da pia e passe para o **Passo 8**.

1. Desligue a eletricidade em um disjuntor ou caixa de fusível. Desconecte o sifão do tubo de descarga de resíduos. Desconecte a lava-lou as se ela estiver conectada ao triturador.
2. Apoie o triturador, insira a extremidade de (19) no lado direito do olhal de montagem e gire. O triturador vai cair livremente.

### ⚠ ALERTA DE RISCO DE QUEDA

3. Desconecte o cabo, retire a unidade. O cabo de alimentação existente não deve ser reutilizado. O cabo de alimentação EZ Connect deve ser utilizado. Continue com o **passo 4**.

## Remoção do conjunto de montagem

4. **Se o novo conjunto de montagem do triturador for o mesmo**, voc pode optar por passar para o **passo 11**.

**Nota:** Para pias com espessura acima de 9,5 mm, será necessário substituir os parafusos de 38,1 mm (9) por parafusos de 28,6 mm (10). Consulte o **passo 11**.

Usando uma chave de fenda, solte os 3 parafusos no conjunto de montagem.

5. Usando uma chave de fenda, retire os parafusos (11).
6. Retire o flange da pia. Retire a gaxeta antiga ou massa de calafetar da pia com uma esp tula.

## Instale o flange da pia

- 7.1 **Para modelos com gaxeta de borracha:**  
Encaixe (4) sobre (5\*) e coloque com firmeza na abertura da pia.

### AVISO

**Danos materiais.** Risco de vazamento de gua de longo/curto prazo se não for montado corretamente.

\*Apenas para modelos específicos.

- 7.2 **Para modelos sem gaxeta de borracha:**  
Aplique um cordão de silicone uniformemente ao redor (4).  
Pressione (4) firmemente para dentro do ralo da pia.

### AVISO

**Danos materiais.** Risco de vazamento de gua de longo/curto prazo se não for montado corretamente.

## Fixação do conjunto de montagem

8. Coloque um peso, como, por exemplo, o triturador, sobre o flange da pia para manter no lugar. Utilize uma toalha para evitar arranhões na pia.
9. Insira (6), (7) e (8). Mantenha no lugar enquanto estiver inserindo (11).  
Puxe (11) para abrir e pressione firmemente at encaixar corretamente.

10. Aperte (9) uniforme e firmemente contra o flange de seguran a. Utilize (10) se a pia tiver espessura acima de 9,5 mm.

Se a pia tiver espessura superior a 19 mm, necess rio o flange de pia estendido (FLG-SSLG), que vendido separadamente.



Para o **Modelo S460** Usando a conexão da lava-lou as, v para o **passo 11**.

Para o **Modelo S460 SEM** conectar a uma lava-lou as, passe para o **passo 12**.

## Retirada do tampão de entrada da lava-louças

(Modelo S460)

IMPORTANTE: **Apenas para conexão com lava-louças**

### AVISO

Se a conexão da lava-lou a for feita sem retirar o tampão de entrada da lava-lou as, ela pode transbordar.

11. Se estiver conectando a uma lava-lou a, retire o tampão de entrada da lava-lou a.

### AVISO

O tampão de entrada da lava-lou as não pode ser recolocado depois de ser retirado. Vire o triturador para o lado e retire o tampão do ralo com uma chave de fenda. Retire o tampão de dentro do triturador com um alicate.

## Conecte o tubo de ar ao triturador (Modelo S460)

12. Empurre um lado do tubo de ar (23) sobre o bico do interruptor de ar que est localizado na parte inferior do triturador. V para o **passo 15.1** ou **15.2**.



**Instalação de acessórios do Cover Control:** V para o **Guia de instalação do Cover Control** e conclua a instalação. Quando o Cover Control estiver instalado, v para o **passo 15.1** ou **15.2** para concluir a instalação do triturador.

**Nota:** O Cover Control não está disponível em todos os mercados.



Para **Todos os modelos, exceto S460:** V para o **passo 13**.

## Conecte a alimentação de eletricidade (modelos Next Gen)

### ⚠ CUIDADO

Se o cabo EZ Connect não for fornecido com o triturador, ele deve ser comprado separadamente. Não reutilize cabos existentes.

13. Retire (21) do fundo do triturador. Insira (22) no recorte do fundo do triturador. Empurre (22) para frente para conectar a energia ao triturador.
14. Instale e aperte (21) atrav s de (22) e para o fundo do triturador.

## Instalação de tubo em Y



Volte para as instruções **AQUÍ** se você tiver instalado um acessório do Cover Control.

### 15.1 Para a maioria dos modelos (os que têm componentes 14, 15 e 16):

Insira (14) na saída de descarga do triturador. Prenda o conjunto (15, 16) com (20).

### 15.2 Para modelos com Anti-vibration Tailpipe Mount (os com componentes 16, 17 e 18):

Insira (17) na saída de descarga do triturador. Prenda (17) com (20). Insira (16) em (17) e prenda com (18).

## Retirada do tampão de entrada da lava-louças

(Todos os modelos, exceto S460)

**IMPORTANTE:** Apenas para conexão com lava-louças

16. Insira (19) em (13) e gire 90° no sentido anti-horário para retirar.

## Conexão do triturador ao conjunto de montagem

17. Levantando o triturador pelo fundo, pendure o triturador alinhando 3 abas de montagem em (12) com rampas deslizantes em (8) e gire ligeiramente no sentido anti-horário.

### **ALERTA**

Não coloque sua cabeça ou seu corpo sob o triturador; a unidade pode cair durante a retirada ou a instalação.

### **AVISO**

**Danos materiais:** Risco de vazamento de água de curto/longo prazo se todas as travas de montagem não forem encaixadas adequadamente em todas as rampas deslizantes e travadas depois das bordas.

18. Usando (19), gire (12) atornalando as 3 abas de montagem para travar as bordas nas rampas deslizantes. Gire o triturador para alinhá-lo ao tubo de descarga.

19. Destaque a parte removível da etiqueta de especificação e coloque em um local visível.

Escaneie o código QR na etiqueta de especificação para obter o registro do produto e informações adicionais sobre o produto.

## Conexão do triturador ao encanamento

20. Reconecte o encanamento (e conexão da lava-louça, se for usada).

### **AVISO**

**Danos materiais:** Risco de vazamento de água se não for montado adequadamente.

Para reduzir o potencial de vazamento, a linha de drenagem deve ter a inclinação correta (pelo menos 6,4 mm de inclinação por 0,3 m de seção) do triturador à conexão do ralo, de forma que a conexão do ralo fique mais baixa que a descarga do triturador. Caso isso não seja feito, pode haver corrosão prematura ou vazamento devido à água parada acumulada no triturador.

Para trituradores equipados com uma Anti-Vibration Tailpipe Mount™, certifique-se de que a montagem do tubo de descarga não está flexionada. Pode ser necessário aparar o tubo para garantir o encaixe adequado.

## Instalação final

21. Se preferir um acabamento diferente: Gire (24) no sentido anti-horário para retirar o acabamento existente (24) e (25) de (26). Instale um acabamento diferente (24) e (25) sobre (26) girando (24) no sentido horário para prender.

22. Monte o conjunto (24, 25, 26) através de um ralo de pia padrão.

OU

Monte o conjunto (24, 25, 26) através da bancada fazendo um furo de 33 mm de diâmetro. Coloque (27) entre o conjunto (24, 25, 26) e o topo da pia da bancada. Aperte (29) sob a bancada da pia para garantir uma vedação impermeável.

\*\* (28) opcional é utilizado para aberturas de pia maiores que 33 mm. Posicione-a entre a bancada da pia e (27).

23. Insira a extremidade que sobrou de (22), para o modelo Next Gen, ou (23), para o modelo S460, no fundo de (26).

Para o modelo S460, ligue em uma tomada de parede.



Para **Todos os modelos, exceto S460:** Vá para o passo 24.

24. Monte (30) firmemente com (31) sobre uma parede de armário a no máximo 900 mm do triturador e tomada elétrica.

25. Conecte (23) parte inferior de (30). Ligue (30) tomada elétrica.

## Verificação de vazamentos

26.1 Para testar se há vazamentos, insira (3) em (4), pressione para baixo uniformemente até se encaixar no lugar. Insira (1) na abertura da pia, encha a pia de água, retire (1) para drenar, em seguida verifique se há vazamento de água abaixo da pia. Reliquie a eletricidade em um disjuntor ou caixa de fusível.

## Verifique se há vazamentos/a operação (Tampa Alba)\*

26.2 Para testar se há vazamentos, insira (3) em (4), pressione para baixo uniformemente até se encaixar no lugar. Insira (2) na abertura da pia, encha a pia de água, levante (2) para drenar. Em seguida verifique se há vazamento de água abaixo da pia. Reliquie a eletricidade em um disjuntor ou caixa de fusível.

Para operar o triturador com Tampa Alba, insira lentamente resíduos de alimento no triturador e posicione (2) na posição vertical (permitindo que a água corra) para minimizar o ruído e possível ejeção de material durante a trituração.

Quando terminar a trituração, desligue o triturador e deixe que a água corra por alguns segundos para lavar a linha de drenagem. (2) também age como uma tampa na posição inferior.

# INSTRUÇÕES DE SEGURANÇA IMPORTANTES

## INSTRUÇÕES RELACIONADAS A RISCO DE INCÊNDIO, CHOQUE ELÉTRICO, LESÃO PESSOAL OU DANOS MATERIAIS

### INSTRUÇÕES DE ATERRAMENTO

Para todos os trituradores aterrados, conectados por cabo: Esse triturador deve ser aterrado para reduzir o risco de choque elétrico no caso de mau funcionamento ou quebra. O aterramento garante um caminho de menor resistência para a corrente elétrica. O cabo de alimentação InSinkErator EZ Connect deve ser utilizado. O cabo deve ser ligado a uma tomada que tenha sido adequadamente instalada e aterrada de acordo com todos os códigos e normas locais.

#### **⚠️ ALERTA**

A conexão incorreta do condutor de aterramento do equipamento pode resultar em risco de choque elétrico. Verifique com um electricista ou técnico qualificado se você tiver dúvidas sobre se o triturador está aterrado adequadamente. Se o cabo de alimentação EZ Connect fornecido não se encaixar na tomada, não modifique a tomada do equipamento ou tente forçá-la na tomada da parede - peça a um electricista qualificado que instale uma tomada adequada.

- Este triturador precisa ser adequadamente aterrado.
- Não conecte o cabo de aterramento a uma linha de alimentação de gás.
- Desconecte a energia antes de instalar ou fazer manutenção do triturador.
- O cabo de alimentação EZ Connect deve ser inserido no receptáculo aterrado com 3 furos.
- Toda a fiação deve estar em conformidade com as normas elétricas locais.
- Não reconecte a corrente elétrica no painel de serviço principal até que o aterramento adequado seja instalado.

#### **AVISO**

- Não utilize silicone em nenhuma conexão do triturador que não seja o flange da pia. Não utilize vedação rosca. Isso pode danificar o triturador e causar danos materiais.
- Para os modelos equipados com Anti-Vibration Tailpipe Mount™, o não uso da braçadeira de mangueira de carga de mola fornecida anula a garantia.
- Para fazer a drenagem adequada e impedir o acúmulo de água no triturador ao utilizar um tubo de descarga reto, a conexão do tubo do lado oposto à saída do triturador deve ser mais baixa, e não mais alta, que a saída do triturador.

**⚠️ ALERTA** - Ao utilizar aparelhos eletrodomésticos, preocupe-se com as crianças e os animais domésticos. Eles devem sempre ser seguidos, incluindo:

- Leia todas as instruções antes de usar o eletrodoméstico.
- Para reduzir o risco de lesão, é necessário haver supervisão de adultos quando um eletrodoméstico for utilizado próximo a crianças.
- Não coloque seus dedos ou mãos no triturador.
- Desligue o triturador antes de tentar eliminar uma obstrução ou retirar um objeto do triturador.
- Ao tentar eliminar uma obstrução em um triturador de resíduos, utilize a chave fornecida.
- Ao tentar retirar objetos de um triturador de resíduos, utilize pinças longas ou um alicate.
- Não coloque os seguintes itens em um triturador: conchas de mariscos ou ostras, limpadores de ralos cênicos ou similares, vidro, porcelana, plástico, metal (como, por exemplo, tampas de garrafas, estilhaços de aço, latas ou utensílios), gordura quente ou outros líquidos quentes.
- Quando o triturador não estiver em operação, mantenha-o tampado para reduzir o risco de que objetos caiam no triturador.
- Esse produto se destina ao descarte de resíduos alimentares domésticos normais; a inserção de materiais que não sejam resíduos alimentares no triturador pode causar lesão pessoal e/ou danos materiais.
- Não descarte os seguintes itens no triturador: tintas, solventes, produtos de limpeza e químicos domésticos, fluidos automotivos, filme plástico.
- **RISCO DE INCÊNDIO:** Não armazene itens inflamáveis, tais como estopa, papel ou latas de aerossol, próximo ao triturador. Não armazene ou utilize gasolina ou outros vapores e líquidos inflamáveis próximo ao triturador.
- **RISCO DE VAZAMENTO:** Inspeção do triturador e os acessórios do encanamento regularmente para verificar se há vazamentos, que podem causar danos materiais e poderiam resultar em lesão pessoal.

### INSTRUÇÕES DE OPERAÇÃO\*

(GUARDE ESSAS INSTRUÇÕES)

1. Retire a tampa da abertura da pia e deixe correr água fria.
2. Ligue o triturador.
3. Insira resíduos alimentares no triturador lentamente.
4. Quando a trituração terminar, desligue o triturador e deixe água correr por 10-15 segundos para lavar a linha de drenagem.

## INSTRUÇÕES RELACIONADAS A RISCO DE INCÊNDIO, CHOQUE ELÉTRICO, LESÃO PESSOAL OU DANOS MATERIAIS



## O QUE FAZER...

- Primeiro ligue a água fria e, depois, ligue o triturador. Deixe que a água fria corra por vários segundos depois de a trituradora terminar, para lavar a linha de drenagem.
- Triture materiais duros, como ossos pequenos, sementes de frutas e gelo. Uma máquina abrasiva criada pelas partículas dentro da câmara de trituração.
- Triture cascas de frutas cítricas para amenizar os odores do ralo.
- Utilize um limpador, desengordurante ou desodorizador para triturador sempre que necessário para amenizar maus odores causados pelo acúmulo de gordura.

### AVISO

A lavagem não adequada do triturador pode resultar em dano ao triturador e/ou danos materiais.

## O QUE NÃO FAZER...

- Não jogue óleo ou gordura no triturador ou em qualquer outro ralo. Eles podem se acumular nos canos e causar obstruções na tubulação. Coloque a gordura em um vido e descarte-a no lixo.
- Não utilize água quente ao triturar resíduos alimentares. Não há problema em deixar correr água quente no triturador entre períodos de trituração.
- Não encha o triturador com muitas cascas de vegetais ao mesmo tempo. Em vez disso, ligue a água e o triturador primeiro e depois vá colocando as cascas gradualmente.\*
- Não triture grandes quantidades de cascas de ovo ou materiais fibrosos, como palhas de milho, alcafofrs, etc., para evitar possíveis obstruções na drenagem.
- Somente desligue o triturador depois de a trituração terminar e apenas o som do motor ser ouvido.

\*O usuário do Cover Control deve consultar o manual de instruções do Cover Control.

## INSTRUÇÕES DE MANUTENÇÃO PARA O USUÁRIO

### LIMPEZA DO TRITURADOR

Com o tempo, partículas de comida podem se acumular na câmara de trituração e na placa defletora. Odores que saem do triturador geralmente são um sinal de acúmulo de comida.

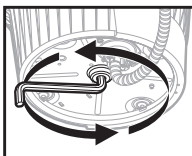
#### Para limpar o triturador:


1. Coloque a tampa na abertura da pia e encha a pia até o meio com água quente.
2. Prepare uma solução de bicarbonato de sódio e água. Ligue o triturador e retire a tampa da pia ao mesmo tempo para lavar partículas soltas.
3. Retire a placa defletora da pia e lave manualmente ou na lava-louças. Não opere o triturador sem a placa defletora da pia no lugar.

### LIMPEZA DE OBSTRUÇÃO DO TRITURADOR

Se o motor parar de funcionar enquanto o triturador estiver operando, o triturador pode estar obstruído. Para limpar a obstrução:

1. Desligue o triturador e a água.
2. Insira um lado da chave fornecida no furo central no fundo do triturador. Mova a chave para frente e para trás até que ela gire uma volta completa. Retire a chave.
3. Coloque uma pinça no triturador e retire o(s) objeto(s).

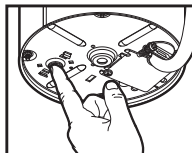


- 4.1  O triturador equipado com uma chave de sobrecarga automática. Deixe o triturador esfriar por um período de até 20 minutos antes de ligar novamente. (Se o motor não voltar a funcionar, verifique o painel de serviço para ver se há disjuntores desarmados ou fusíveis queimados).

4.2



Deixe o motor do triturador esfriar por 3 a 5 minutos e, em seguida, pressione levemente o botão vermelho de reiniciar no fundo do triturador. (Se o motor não voltar a funcionar, verifique o painel de serviço para ver se há disjuntores desarmados ou fusíveis queimados)



## Informações sobre garantia (Período de garantia em anos\*)

A garantia é determinada pelo número de série da unidade e a data de instalação. Pode ser necessário apresentar recibo de compra ou de instalação para verificação do status de garantia.

Registre seu produto no site <http://www.insinkerator-worldwide.com> para ver se você tem direito a uma oferta de garantia estendida. O período de garantia varia conforme o mercado.

### ASSISTÊNCIA

Caso precise de assistência, entre em contato com uma Central de Assistência Autorizada InSinkErator ou seu revendedor. As garantias ficam inválidas se você retirar seu triturador após a instalação e tentar consertá-lo, ou se o triturador for usado para fins comerciais.

O modelo e o período de garantia são apresentados na tabela abaixo.

Modelo	União Europeia	México	Brasil	Coreia	Índia
S460 SR/EC/RC	2	2	2		
Premium 550 SR	3	3	3	3	3
Premium 700 SR	4	4	4		
Evolution Plus 750 SR	5	5	5	5	5
Evolution Plus 1000 SR	6	6	6	6	
Premium 550 EC	2				
Premium 700 EC	2				
Evolution Plus 750 EC	3				
Evolution Plus 1000 EC	4				
Premium 550 RC	2				
Premium 700 RC	3				
Evolution Plus 750 RC	4				
Evolution Plus 1000 RC	5				

## 食物垃圾處理器

安裝說明



掃描二維碼觀看安裝影片。

©2023 版權所有。

## 尺寸

適用於排放彎管

\*水槽槽底到食物垃圾處理器排放口中心線的距離。如果使用的是不銹鋼水槽，則加上12.7 mm。

\*\*食物垃圾處理器排放口中心線到排水管末端的排水管長度。

\*\*\*水槽槽底到廢水管之間的距離至少為20 cm至30 cm。

註：瞭解Cover Control機型尺寸-參見Cover Control

## 所需工具和材料（未隨附）



## 包括

- |             |               |                   |                   |
|-------------|---------------|-------------------|-------------------|
| 1. 塞子       | 9. 38.1 mm螺絲  | 17. 防震Y形管組件       | 25. 按鈕（提供3種面層）    |
| 2. Alba塞子*  | 10. 28.6 mm螺絲 | 18. 彈簧夾           | 26. 螺紋體           |
| 3. 水槽防濺板    | 11. 卡環        | 19. 小扳手           | 27. 橡膠密封墊         |
| 4. 水槽法蘭     | 12. 下方安裝環     | 20. 螺栓            | 28. 不銹鋼墊圈***      |
| 5. 橡膠水槽密封墊* | 13. 洗碗機進水口塞子  | 21. 接地螺絲          | 29. 塑膠螺帽          |
| 6. 纖維襯墊     | 14. Y形管密封墊    | 22. EZ Connect電源線 | 30. 帶3線電源線的空氣開關** |
| 7. 支撐法蘭     | 15. 法蘭        | 23. 空氣管**         | 31. 19 mm螺絲**     |
| 8. 安裝環      | 16. Y形管       | 24. 邊框（提供3種面層）    |                   |

\*僅限特定機型

\*\*隨附於下一代機型

\*\*\*水槽口超過33 mm可選用不銹鋼墊圈

## \*\* 安全資訊

**▲ 危險** 是指某種危險的情形，如不避免，將造成人員死亡或重大人身傷害。**▲ 警告** 是指某種危險的情形，如不避免，可造成人員死亡或重大人身傷害。**▲ 注意事項** 是指某種危險的情形，如不避免，可能造成輕微或中度人身傷害。**告示** 用於強調與人身傷害無關的做法。**安全說明**（或同等）標誌是指安全相關具體說明或程序。**▲ 警告** 請仔細閱讀相關說明。不遵循安裝、操作和用戶維護說明可能導致人身傷害、漏水或財產損壞。**▲ 觸電危險警告**

開始安裝前，斷開保險絲盒的電源。

**告示**

- **財產損壞風險。**除了水槽法蘭，請勿在任何食物垃圾處理器連接處使用矽膠填縫劑。請勿使用螺紋密封劑。
- **財產損壞風險。**如果連接洗碗機，**必須**移除洗碗機進水口塞子，否則洗碗機可能溢水。參見步驟11或16。

## 卸下現有食物垃圾處理器

如果要更換現有食物垃圾處理器，請繼續步驟1。

如果現無食物垃圾處理器，則從斷路器或保險絲盒斷開電源，斷開水槽排水管並跳至步驟8。

1. 從斷路器或保險絲盒斷開電源。從食物垃圾處理器排放管上卸下排水U形管。如果連接到食物垃圾處理器，請斷開洗碗機。
2. 托著食物垃圾處理器，將(19)的末端插入安裝掛鉤的右側，然後轉動。食物垃圾處理器將自由墜落。

### ▲ 墜落危險警告

3. 拔下電源線，取下裝置。現有電源線不得重複使用。必須使用InSinkErator EZ Connect電源線。請前往步驟4。

## 卸下水槽安裝

4. 如果新的食物垃圾處理器安裝組件相同，您可以選擇跳至步驟11。

**註：**若為厚度超過9.5 mm的水槽，您需要用28.6mm螺絲(10)替換現有的38.1mm螺絲(9)。請參見步驟11。

使用一字螺絲起子，鬆開安裝組件上的3個螺絲。

5. 使用一字螺絲起子將(11)撬起。
6. 從水槽取下法蘭。用刮刀從水槽取下舊的密封墊或清除管道膩子。

## 安裝水槽法蘭

- 7.1 有橡膠密封墊的機型：  
將(4)套在(5\*)上，並牢牢裝入水槽口。

### 告示

#### 財產損壞。

如果組裝不當，則有長期/短期漏水風險。

\*僅限特定機型。

- 7.2 沒有橡膠密封墊的機型：  
在(4)周圍均勻塗上一層矽膠填縫劑。  
將(4)用力壓入水槽排水管。

### 告示

#### 財產損壞。

如果組裝不當，則有長期/短期漏水風險。

## 連接安裝組件

8. 在水槽法蘭上放置一個重物，如食物垃圾處理器，使其保持在適當位置。使用毛巾以免刮花水槽。
9. 插入(6)、(7)和(8)。插入(11)時固定就位。  
拉開(11)並用力按壓，直至卡入定位。

10. 均勻牢固地緊固(9)支撐法蘭。如果水槽厚度超過9.5 mm，請使用(10)。

如果水槽厚度超過19 mm，則需要延長型水槽法蘭(FLG-SSLG)，其為單獨出售。



對於使用洗碗機連接的S460型，請前往步驟11。

對於未連接洗碗機的S460型，請繼續步驟12。

## 取下洗碗機進口水塞子 (S460型)

重要提示：僅限洗碗機連接

### 告示

如果連接洗碗機時未取下洗碗機進口水塞子，則洗碗機可能溢水。

11. 如果連接洗碗機，則取下洗碗機進口水塞子。

### 告示

一旦被擊出，洗碗機進口水塞子將無法復原。將食物垃圾處理器側放，用螺絲起子擊出排水塞。用手鉗從食物垃圾處理器內取下塞子。

## 將空氣管連接到食物垃圾處理器 (S460型)

12. 將空氣管(23)的一端推入空氣開關的管口，該管口位於食物垃圾處理器的底部。請前往步驟15.1或15.2。



**Cover Control附件安裝：**前往Cover Control安裝指南並完成安裝。一旦Cover Control安裝妥當，請前往步驟15.1或15.2，以完成食物垃圾處理器安裝。

**註：**並非所有市場皆有販售Cover Control。



對於S460以外的所有機型：請前往步驟13。

## 連接到電源 (下一代機型)

### ▲ 注意事項

如果食物垃圾處理器未配備EZ Connect電源線，則必須單獨購買。請勿重複使用原有電源線。

13. 從食物垃圾處理器底部取下(21)。將(22)插入食物垃圾處理器底部切口。向前推動(22)，將電源連接到食物垃圾處理器。
14. 安裝(21)穿過(22)並栓緊至食物垃圾處理器底部。

## 安裝Y形管



如果已安裝Cover Control附件，請由此處再開始閱讀說明。

- 15.1** 對於大多數機型（隨附14、15和16元件者）：  
將（14）插入食物垃圾處理器排放口。  
用（20）固定（15、16）組件。
- 15.2** 對於配備Anti-vibration Tailpipe Mount的機型（隨附16、17和18元件者）：  
將（17）插入食物垃圾處理器排放口。  
用（20）固定（17）。將（16）插入（17）並用（18）固定。

## 取下洗碗機進水口塞子 （除S460外的所有機型）

**重要提示：僅限洗碗機連接**

- 16.** 將（19）插入（13）並逆時針轉動90°卸下。

## 將食物垃圾處理器連接到安裝組件

- 17.** 從底部抬起食物垃圾處理器，將（12）上的3個安裝掛鉤與（8）上的上滑坡道對齊，懸掛食物垃圾處理器，並逆時針輕輕轉動食物垃圾處理器。

### 警告

請勿將頭或身體置於食物垃圾處理器下方；  
拆卸或安裝過程中裝置可能掉落下來。

### 告示

**財產損壞：**如果三個安裝掛鉤均未正確接合在所有上滑斜面上並透過凸緣固定就位，則有長期/短期漏水風險。

- 18.** 使用（19），轉動（12），直至3個安裝掛鉤均固定在上滑斜面的凸緣上。旋轉食物垃圾處理器，對齊排放管。
- 19.** 剪下規格標籤的可移除部分，並貼在顯眼位置。

掃描規格標籤上的二維碼，瞭解產品註冊和其他產品資訊。

## 將食物垃圾處理器連接到管線

- 20.** 重新連接管線（和洗碗機連接，如有使用）。

### 告示

**財產損壞：**如果組裝不當，則有漏水危險。

為降低漏水的可能性，從食物垃圾處理器到排水口的連接，排水管必須適當傾斜（每0.3 m排水不小於6.4mm的斜度），使排水連接低於食物垃圾處理器排放口。否則，食物垃圾處理器中殘留的積水可能造成過早腐蝕或滲漏。

對於配備Anti-vibration Tailpipe Mount™的食物垃圾處理器，請確保排水管組件沒有彎曲。您可能需要修剪管子使其長度適當。

## 最終安裝

- 21.** 如果偏好使用不同面層：  
逆時針轉動（24），從（26）上移除現有面層（24）和（25）。  
將不同面層（24）和（25）安裝到（26）上，順時針轉動（24）固定。
- 22.** 穿過標準水槽孔安裝（24、25、26）組件。  
或者  
鑽一個直徑33 mm的孔，將（24、25、26）組件穿過此孔安裝在流理台面上。將（27）放在（24、25、26）組件和水槽流理台面之間。在水槽流理台下方擰緊（29），確保水密密封。  
**\*\*水槽口直徑超過33 mm可選用（28）。將其放置在水槽流理台和（27）之間。**
- 23.** 將下一代機型（22）或S460型（23）的剩餘末端插入（26）的底部。  
S460型需將插頭插入牆壁插座。



對於S460以外的所有機型：請前往步驟24。

- 24.** 用（31）將（30）牢固地安裝在距離食物垃圾處理器及電源插座900 mm內的櫃壁上。
- 25.** 將（23）連接到（30）的底部。  
將（30）插進電源插座。

## 檢查有無滲漏

- 26.1** 要測試有無滲漏，將（3）插入（4）中，均勻下壓，直至卡入定位。將（1）插入水槽口，在水槽中注滿水，取下（1）排水，然後查看水槽下方有無漏水。重新連接保險絲盒或斷路器的電源。

## 檢查滲漏/操作（Alba塞子）\*

- 26.2** 要測試有無滲漏，將（3）插入（4）中，均勻下壓，直至卡入定位。將（2）插入水開口，在水槽中注滿水，提起（2）使之打開並排水。然後查看水槽下方有無漏水。重新連接保險絲盒或斷路器的電源。

要使用Alba塞子操作食物垃圾處理器，請將食物垃圾慢慢放入食物垃圾處理器，並將（2）直立放置（讓水流過），使研磨時的噪音和可能發生的材料噴濺減到最低。

研磨完成後，關閉食物垃圾處理器，並用流水沖洗排水管幾秒鐘。（2）位於較低位置也能發揮塞子的作用。

## 重要安全說明

### 火災、觸電、人身傷害或財產損壞風險相關說明 接地說明

#### 對於所有連接地線、電源線的食物垃圾處理器：

該食物垃圾處理器必須接地，降低發生故障或損壞時觸電的風險。接地為電流提供了一條電阻最小的路徑。需使用InSinkErator EZ Connect電源線。插頭必須插入按照所有當地法規和條例正確安裝和接地的插座。

#### **▲ 警告**

裝置接地不當可導致觸電。如果您對食物垃圾處理器是否正確接地有疑問，請諮詢合格電工或維修人員。如果所提供EZ Connect電源線不適合插座，請勿改裝插頭或試圖強行將插頭插入插座，請由合格電工正確安裝插座。

- 此食物垃圾處理器必須正確接地。
- 請勿將地線連接到瓦斯輸送管線。
- 安裝或維修食物垃圾處理器前，請斷開電源。
- EZ Connect電源線必須插入3孔接地插座。
- 所有佈線必須符合當地用電規範。
- 安裝好地線之前，請勿將主維修面板重新通電。

#### **告示**

- 除了水槽法蘭，請勿在任何其他食物垃圾處理器連接處使用矽膠填縫劑。請勿使用螺紋密封劑。這些可能會損害食物垃圾處理器並造成財產損壞。
- 對於配備Anti-vibration Tailpipe Mount™的機型，未使用隨附的彈簧負載軟管夾將使保固失效。
- 使用直式管道排放管時，為正確排水和防止水積在食物垃圾處理器內，食物垃圾處理器排放口相對的管道連接必須低於而不是高於食物垃圾處理器排放口。

#### **▲警告**-使用電器時，

應始終遵循基本預防措施，包括：

- 使用本電器前，請閱讀所有說明。
- 為降低受傷風險，在兒童附近使用電器時，需要密切監督。
- 請勿將手指或手伸入食物垃圾處理器。
- 嘗試清除堵塞或移除食物垃圾處理器中的物品前，請將電源開關轉到關閉位置。
- 嘗試疏通食物垃圾處理器中的堵塞時，請使用小扳手。
- 嘗試取出食物垃圾處理器中的物品時，請使用長柄夾具或手鉗。
- 請勿將以下物品放入食物垃圾處理器：蛤蜊或牡蠣殼、腐蝕性排水管清潔劑或類似產品、玻璃、瓷器或塑膠、金屬（如瓶蓋、鋼珠、錫罐或器皿）、熱油脂或其他熱液體。
- 不操作食物垃圾處理器時，將塞子留在原位，降低物品落入食物垃圾處理器的風險。
- 本產品旨在處理日常家庭食物垃圾；將食物垃圾以外的材料放入食物垃圾處理器可能導致人身傷害和/或財產損壞。
- 請勿在食物垃圾處理器中處理以下物品：油漆、溶劑、家用清潔劑和化學品、車用液體、保鮮膜。
- 起火危險：請勿在食物垃圾處理器附近存放易燃物品，如抹布、紙張或噴霧罐。請勿在食物垃圾處理器附近存放或使用汽油或其他易燃性氣體和液體。
- 滲漏危險：定期檢查食物垃圾處理器和管道接頭有無滲漏，如有滲漏，會導致財產損壞和人身傷害。

#### **操作說明\***

（請保存這些說明）

1. 取下水槽口的塞子，用冷水沖洗。
2. 開啟食物垃圾處理器。
3. 將食物垃圾慢慢放入食物垃圾處理器。
4. 研磨完成後，關閉食物垃圾處理器，用流水沖洗排水管10-15秒。

### 火災、觸電、人身傷害或財產損壞風險相關說明



## 切記...

- 先開啟冷水，然後開啟食物垃圾處理器。研磨完成後，繼續用冷水沖洗排水管幾秒鐘。
- 研磨堅硬的材料，如小骨頭、果核和冰。顆粒在研磨室內形成沖刷作用。
- 磨碎柑橘類水果果皮，可去除排水管異味。
- 必要時使用食物垃圾處理器清潔劑、除油劑或除臭劑緩解油脂堆積引起的異味。

### 告示

未正確沖洗食物垃圾處理器可能造成食物垃圾處理器損壞和/或財產損壞。

## 切勿...

- 請勿將油脂或脂肪倒入食物垃圾處理器或任何排水管。它可能在管道中堆積，導致排水管堵塞。將油脂放入瓶子或罐子中，然後扔進垃圾桶。
- 研磨食物垃圾時請勿使用熱水。研磨停止期間，可將熱水排入食物垃圾處理器。
- 請勿在食物垃圾處理器中一次放入過多蔬菜皮。反之，請先開啟水源和食物垃圾處理器，然後逐步放入蔬菜皮。\*
- 請勿研磨大量蛋殼或纖維材料，如玉米皮、朝鮮蓴等，避免可能發生的排水管堵塞。
- 研磨完成並且只聽到馬達聲和水聲前，請勿關閉食物垃圾處理器。

\*Cover Control用戶應參考Cover Control說明手冊。

## 用戶維護說明

### 清洗食物垃圾處理器機

久而久之，食物顆粒會積聚在研磨室和防濺板上。食物垃圾處理器散發異味通常是食物堆積的跡象。

### 清潔處理器：

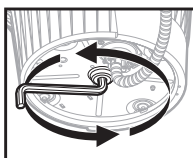
- 將塞子放入水槽口，注入半個水槽的溫水。
- 將小蘇打溶液和水混合在一起。開啟食物垃圾處理器，同時從水槽取下塞子，沖掉散佈的顆粒。
- 取下水槽防濺板，用手或洗碗機清洗。請勿在無水槽防濺板的情況下操作食物垃圾處理器。

### 疏通食物垃圾處理器堵塞


如果食物垃圾處理器運作時馬達停止，則食物垃圾處理器可能堵塞。疏通堵塞：

- 關閉食物垃圾處理器和水源。

- 將小扳手一端插入食物垃圾處理器底部中心孔。來回操作小扳手，直至轉一整圈。取下小扳手。



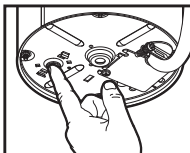
- 將手鉗伸進食物垃圾處理器，夾出物品。

-  食物垃圾處理器配有自動過載開關。讓食物垃圾處理器冷卻20分鐘，然後再開啟。（如果馬達仍然不運作，則檢查維修面板有無斷路器跳開或保險絲熔斷情況。）

## 4.2



讓食物垃圾處理器馬達冷卻3-5分鐘，然後輕輕按下食物垃圾處理器底部的紅色重設按鈕。（如果馬達仍然不運作，則檢查維修面板有無斷路器跳開或保險絲熔斷情況。）



## 保固資訊

（保固年限\*）

保固服務取決於裝置的序列號及安裝日期。可能需要出示購買或安裝收據來確認保固狀態。

敬請在 <http://www.insinkerator-worldwide.com> 上註冊您的產品，查看您是否有資格享受延期服務。保固年限因市場而異。

### 服務

如需保固服務，敬請聯絡InSinkErator授權服務中心或您的經銷商。在安裝食物垃圾處理器後，如果您自行拆除處理器並試圖予以維修，或將其用於商業用途，則保修無效。

機型及保固年限見下表。

機型	歐盟	墨西哥	巴西	韓國	印度
S460 SR/EC/RC	2	2	2		
Premium 550 SR	3	3	3	3	3
Premium 700 SR	4	4	4		
Evolution Plus 750 SR	5	5	5	5	5
Evolution Plus 1000 SR	6	6	6	6	
Premium 550 EC	2				
Premium 700 EC	2				
Evolution Plus 750 EC	3				
Evolution Plus 1000 EC	4				
Premium 550 RC	2				
Premium 700 RC	3				
Evolution Plus 750 RC	4				
Evolution Plus 1000 RC	5				

# Küchenabfallentsorger

Installationsanleitung

in sink erator



Scannen Sie den QR-Code, um das Installationsvideo anzusehen.

©2023 Alle Rechte vorbehalten.

## Abmessungen

### Für U-förmiges Abflussrohr

\*Abstand vom Boden des Beckens bis zur Mittellinie der Auslassöffnung. Rechnen Sie für Edelstahlbecken weitere 12,7 mm hinzu.

\*\*Länge des Endrohrs von der Mittellinie der Auslassöffnung bis zum Ende des Endrohrs.

\*\*\*Abstand zwischen Boden des Spülbeckens und Abflussrohr muss mindestens 20 cm bis 30 cm betragen.

Hinweis: Für Abmessungen des Cover Control-Modells, siehe Cover Control

## Benötigtes Werkzeug und Material (nicht enthalten)



### Enthalten

- |                          |                                     |  |  |
|--------------------------|-------------------------------------|--|--|
| 1. Beckenverschluss      | 9. 38,1-mm-Schrauben                | 17. Anti-Vibration-Halterung für Y-Stück     | 25. Druckschalter (3 Ausführungen mitgeliefert)  |
| 2. Alba-Stopfen*         | 10. 28,6-mm-Schrauben               | 18. Draht-Schlauchklemme                     | 26. Gehäuse mit Gewinde                          |
| 3. Dmpfmanschette        | 11. Sprengring                      | 19. Sechskantschlüssel                       | 27. Gummidichtung                                |
| 4. Beckenflansch         | 12. Unterer Halterungsring          | 20. Schrauben                                | 28. Edelstahl-Unterlegscheibe***                 |
| 5. Gummi-Beckendichtung* | 13. Spülmaschinen-Zuleitungsstopfen | 21. Masseschraube                            | 29. Kunststoffmutter                             |
| 6. Fiberdichtung         | 14. Y-Stück-Dichtung                | 22. EZ Connect-Stromkabel                    | 30. Druckluftschalter mit 3-adrigem Stromkabel** |
| 7. Sicherungsflansch     | 15. Flansch                         | 23. Luftschlauch**                           | 31. 19-mm-Schrauben**                            |
| 8. Halterungsring        | 16. Y-Stück                         | 24. Einfassung (3 Ausführungen mitgeliefert) |  |

\*Nur bestimmte Modelle

\*\*Bei Next Gen-Modellen mitgeliefert

\*\*\*Die optionale Edelstahl-Unterlegscheibe wird für Beckenbohrlöchern größer als 33 mm verwendet

## \*! \* Sicherheitshinweise

- GEFAHR** zeigt eine Gefahrenquelle an, die bei Nichtvermeidung zum Tod oder zu schweren Verletzungen führt.
- WARNUNG** zeigt eine Gefahrenquelle an, die bei Nichtvermeidung zum Tod oder zu schweren Verletzungen führen kann.
- VORSICHT** zeigt eine Gefahrenquelle an, die bei Nichtvermeidung zu leichten und mittelschweren Verletzungen führen könnte.
- HINWEIS** wird verwendet, um Praktiken anzusprechen, die nicht mit Personenschäden verbunden sind.
- SICHERHEITSANWEISUNGEN** (oder entsprechende) Zeichen zeigen spezifische sicherheitsrelevante Anleitungen oder Vorgehensweisen an.

**WARNUNG** Lesen Sie sich diese Anleitung sorgfältig durch. Das Nichtbefolgen der Installations-, Bedienungs- und Benutzerwartungs-Anleitungen kann zu Personenschäden, Wasseraustritt oder Sachschäden führen.

**WARNUNG: STROMSCHLAGGEFAHR**  
Schalten Sie vor Beginn der Installation den Strom am Sicherungskasten aus.

### HINWEIS

- **Risiko von Sachschäden.** Verwenden Sie keine Silikonichtmasse auf irgendeiner Entsorgungerverbindung außer dem Beckenflansch. Verwenden Sie keine Gewindedichtmasse.
- **Risiko von Sachschäden.** Bei Anschluss an eine Spülmaschine **MUSS** der Spülmaschinen-Zuleitungsstopfen entfernt werden, sonst kann die Spülmaschine überlaufen. Siehe hierzu Schritt 11 oder 16.

## Bestehenden Entsorger entfernen

Falls Sie einen bestehenden Entsorger ersetzen, fahren Sie mit Schritt 1 fort.

Falls kein bestehender Entsorger vorhanden ist, schalten Sie die Stromzufuhr am Leitungsschutzschalter oder Sicherungskasten ab, trennen den Spülenablauf und machen mit Schritt 8 weiter.

1. Schalten Sie die Stromzufuhr am Leitungsschutzschalter oder Sicherungskasten ab. Trennen Sie den Siphon vom Abfall-Abflussrohr. Falls verbunden, trennen Sie die Spülmaschine vom Entsorger.
2. Stützen Sie den Entsorger ab, stecken Sie das Ende von (19) in die rechte Befestigungslasche und drehen. Der Entsorger löst sich.

### ⚠️ WARNUNG: GEFAHR DURCH FALLENDE OBJEKTE

3. Trennen Sie das Stromkabel und entfernen das Gerät. Vorhandene Stromkabel dürfen nicht wiederverwendet werden. Es muss das InSinkErator EZ Connect-Stromkabel verwendet werden. Fahren Sie mit Schritt 4 fort.

## Beckenbefestigung entfernen

4. Falls die Befestigungsvorrichtung des neuen Entsorgers identisch ist, können Sie wahlweise auch direkt mit Schritt 11. fortfahren.

**Hinweis:** Für Becken mit mehr als 9,5 mm Dicke müssen Sie die vorhandenen 38,1-mm-Schrauben (9) mit 28,6-mm-Schrauben (10) ersetzen. *Siehe Schritt 11.*

Lösen Sie die 3 Schrauben an der Befestigungsvorrichtung mit einem Schlitzschraubendreher.

5. Verwenden Sie einen Schlitzschraubendreher, um (11) abzulösen.
6. Entfernen Sie den Flansch vom Becken. Entfernen Sie die alte Dichtung oder Dichtmasse mit einem Spachtel vom Becken.

## Beckenflansch installieren

- 7.1 Für Modelle mit Gummidichtung:  
Stülpen Sie (4) über (5\*) und führen beide fest in den Beckenablauf ein.

### HINWEIS

**Sachschaden.** Risiko von kurz-/langfristigem Wasseraustritt bei unsachgemäßem Einbau.

\*Nur für bestimmte Modelle.

- 7.2 Für Modelle ohne Gummidichtung:  
Tragen Sie gleichmäßig ringförmig Silikonichtmasse um (4) auf.  
Drücken Sie (4) fest in den Beckenablauf.

### HINWEIS

**Sachschaden.** Risiko von kurz-/langfristigem Wasseraustritt bei unsachgemäßem Einbau.

## Befestigungsvorrichtung anbringen

8. Legen Sie ein Gewicht, z. B. den Entsorger, auf den Beckenflansch, um diesen in Position zu halten. Legen Sie ein Handtuch unter, um Kratzer am Becken zu vermeiden.
9. Stecken Sie (6), (7) und (8) auf. Halten Sie diese fest, während Sie (11) einsetzen.  
Ziehen Sie (11) auseinander und drücken ihn fest, bis er einrastet.

10. Ziehen Sie (9) gleichmäßig und fest auf dem Sicherungsflansch an. Verwenden Sie (10), falls das Becken mehr als 9,5 mm dick ist.

Falls das Becken mehr als 19 mm dick ist, wird ein separat erhältlichere Beckenflansch (FLG-SSL) benötigt.



Für **Modell S460** Falls Sie den Spülmaschinen-Anschluss benutzen, weiter mit Schritt 11.

Für **Modell S460** Falls Sie KEINE Spülmaschine anschließen, weiter mit Schritt 12.

## Spülmaschinen-Zuleitungsstopfen entfernen (Modell S460)

WICHTIG: Nur bei Anschluss einer Spülmaschine

### HINWEIS

Falls der Anschluss der Spülmaschine erfolgt, ohne den Zuleitungsstopfen zu entfernen, kann die Spülmaschine überlaufen.

11. Falls Sie eine Spülmaschine anschließen, entfernen Sie den Spülmaschinen-Zuleitungsstopfen.

### HINWEIS

Der Spülmaschinen-Zuleitungsstopfen kann nicht mehr ersetzt werden, wenn er ausgeschlagen wurde. Drehen Sie den Entsorger auf die Seite und klopfen den Zuleitungsstopfen mit einem Schraubendreher aus. Entfernen Sie den Stopfen mit einer Zange aus dem Inneren des Entsorgers.

## Luftschlauch mit Entsorger verbinden (Modell S460)

12. Schieben Sie ein Ende des Luftschlauchs (23) über die Druckluftschalter-Tülle auf der Unterseite des Entsorgers. Fahren Sie mit Schritt 15.1 oder 15.2 fort.



**Installation des Cover Control-Zubehörs:** Gehen Sie zur **Cover Control-Installationsanleitung** und schließen die Installation ab. Wenn Cover Control installiert wurde, fahren Sie mit 15.1 oder 15.2 fort, um die Installation des Entsorgers abzuschließen.

**Hinweis:** Cover Control ist nicht in allen Gebieten verfügbar.



Für **alle Modelle außer S460:** Fahren Sie mit Schritt 13 fort.

## Stromversorgung anschließen (Next Gen-Modelle)

### ⚠️ VORSICHT

Falls kein EZ Connect-Kabel mit den Entsorger geliefert wurde, muss es separat erworben werden. Verwenden Sie keine bereits vorhandenen Stromkabel.

13. Entfernen Sie (21) von der Unterseite des Entsorgers. Führen Sie (22) in die Aussparung an der Unterseite des Entsorgers ein.  
Schieben Sie (22) nach vorne, um Stromversorgung am Entsorger anzuschließen.
14. Installieren Sie (21) durch (22) hindurch in die Unterseite des Entsorgers und ziehen sie fest.

## Y-Stück installieren



Fahren Sie **HIER** mit der Anleitung fort, falls Sie ein Cover Control-Zubehör installiert haben.

**15.1** Für die meisten Modelle (jene mit Komponenten 14, 15 und 16):

Stecken Sie (14) in die Auslassöffnung des Entsorgers. Befestigen Sie das Bauteil (15, 16) mit (20).

**15.2** Für Modelle mit Anti-Vibration Tailpipe Mount (jene mit Komponenten 16, 17 und 18):

Stecken Sie (17) in die Auslassöffnung des Entsorgers. Befestigen Sie (17) mit (20). Stecken Sie (16) in (17) und sichern es mit (18).

## Spülmaschinen-Zuleitungsstopfen entfernen

(Alle Modelle außer S460)

WICHTIG: Nur bei Anschluss einer Spülmaschine

**16.** Stecken Sie (19) in (13) und drehen zum Entfernen 90° gegen den Uhrzeigersinn.

## Entsorger mit Befestigungsvorrichtung verbinden

**17.** Heben Sie den Entsorger von unten und heben ihn auf, indem Sie die 3 Halteflansche von (12) an den Aufschiebe-Rampen von (8) ausrichten und den Entsorger leicht gegen den Uhrzeigersinn drehen.

### ⚠ WARNUNG

Positionieren Sie sich nicht mit Körper oder Kopf unter dem Entsorger, da das Gerät während des Entfernens oder Befestigens herunterfallen könnte.

### HINWEIS

**Sachschaden:** Risiko von kurz-/langfristigem Wasseraustritt, falls nicht alle drei Halteflansche ordentlich auf alle Aufschiebe-Rampen aufgeschoben wurden und fest hinter den Erhöhungen eingerastet sind.

**18.** Verwenden Sie (19), um (12) zu drehen, bis alle 3 Halteflansche hinter den Erhöhungen der Aufschiebe-Rampen einrasten. Drehen Sie den Entsorger, um ihn am Abflussrohr auszurichten.

**19.** Entfernen Sie den abtrennbaren Teil des Typenschildes und platzieren ihn an einem gut sichtbaren Ort.

Scannen Sie den QR-Code auf dem Typenschild für die Produktregistrierung und zusätzliche Produktinformationen.

## Entsorger mit Rohrleitungen verbinden

**20.** Schließen Sie die Rohrleitungen wieder an (sowie die Spülmaschinenleitung, falls verwendet).

### HINWEIS

**Sachschaden:** Risiko von Wasseraustritt bei unsachgemäßem Installieren.

Um das Risiko möglicher Lecks zu reduzieren, muss das Abflussrohr vom Entsorger zum Abwasseranschluss sachgemäß geeignet sein (mindestens 6,4 mm Gefälle pro 0,3 m Rohr), wobei der Abwasseranschluss tiefer als die Auslassöffnung des Entsorgers liegt. Bei Nichtbeachtung kann es zu vorzeitiger Korrosion oder Wasseraustritt aufgrund von stehendem Restwasser im Entsorger kommen.

Achten Sie bei Entsorgern mit Anti-Vibration Tailpipe Mount™ darauf, dass sich der Tailpipe Mount nicht durchbiegt. Gegebenenfalls müssen Sie das Rohr auf die passende Länge kürzen.

## Abschließende Installation

**21.** Falls eine andere Ausführung bevorzugt wird: Drehen Sie (24) gegen den Uhrzeigersinn, um die vormontierte Ausführung von (24) und (25) von (26) zu entfernen. Installieren Sie eine andere Ausführung von (24) und (25) auf (26) und drehen (24) zum Befestigen gegen den Uhrzeigersinn.

**22.** Montieren Sie das Bauteil (24, 25, 26) durch ein standardmäßig gebohrtes Beckenbohrloch.

ODER

Montieren Sie das Bauteil (24, 25, 26) durch die Arbeitsplatte, indem Sie ein Loch von 33 mm Durchmesser bohren. Platzieren Sie (27) zwischen dem Bauteil (24, 25, 26) und der Oberseite der Arbeitsplatte. Ziehen Sie (29) unter der Arbeitsplatte fest, um für einen wasserdichten Verschluss zu sorgen.

**\*\* Die optionale Unterlegscheibe (28) wird für Beckenbohrlöcher größer als 33 mm verwendet. Platzieren Sie sie zwischen der Beckenplatte und (27).**

**23.** Stecken Sie das verbleibende Ende von (22) bei einem Next Gen-Modell oder (23) bei einem S460-Modell in die Unterseite von (26).

Für S460-Modelle, an der Wandsteckdose anschließen.



Für **alle Modelle außer S460:** Fahren Sie mit Schritt 24 fort.

**24.** Montieren Sie (30) mit (31) fest an einer Schrankwand innerhalb von 900 mm des Entsorgers und der Steckdose.

**25.** Verbinden Sie (23) mit der Unterseite von (30). Schließen Sie (30) an die Steckdose an.

## Auf undichte Stellen prüfen

**26.1** Um auf undichte Stellen zu prüfen, stecken Sie (3) in (4) und drücken gleichmäßig nach unten, bis sie einschnappt. Stecken Sie (1) in den Beckenablauf, füllen das Becken mit Wasser, lassen dann das Wasser durch Entfernen von (1) abfließen und prüfen anschließend unter dem Spülbecken auf ausgetretenes Wasser. Schalten Sie die Stromzufuhr am Sicherungskasten oder Leitungsschutzschalter wieder an.

## Auf undichte Stellen/ Funktionsfähigkeit prüfen (Alba-Stopfen)\*

**26.2** Um auf undichte Stellen zu prüfen, stecken Sie (3) in (4) und drücken gleichmäßig nach unten, bis er einschnappt. Stecken Sie (2) in den Beckenablauf, füllen das Becken mit Wasser und lassen dann das Wasser durch Anheben von (2) abfließen. Prüfen Sie anschließend unter dem Spülbecken auf ausgetretenes Wasser. Schalten Sie die Stromzufuhr am Sicherungskasten oder Leitungsschutzschalter wieder an.

Um den Entsorger mit einem Alba-Stopfen zu benutzen, führen Sie langsam Lebensmittelreste in den Entsorger ein und bringen (2) in angehobene Position (sodass Wasser durchlaufen kann), um Geräusche und möglicherweise ausgestoßene Stückchen während des Mahlens zu minimieren.

Schalten Sie den Entsorger nach Beenden des Mahlorgangs ab und lassen Sie einige Sekunden Wasser laufen, um das Abflussrohr nachzuspülen. (2) fungiert in heruntergedrückter Position auch als Stopfen.

# WICHTIGE SICHERHEITSANWEISUNGEN

## ANWEISUNG BEZIEHT SICH AUF RISIKO VON BRAND, STROMSCHLAG, PERSONEN- ODER SACHSCHÄDEN

### ERDUNGSANWEISUNGEN

Für alle geerdeten Entsorger mit verbundenem Stromkabel:  
Der Entsorger muss geerdet werden, um das Risiko von Stromschlägen im Falle eines Defekts oder Ausfalls zu reduzieren. Erdung stellt einen Weg zur Ableitung elektrischen Stroms bereit. Es ist zwingend ein EZ Connect-Stromkabel zu verwenden. Der Stecker muss in eine Steckdose eingesteckt werden, die ordnungsgemäß installiert und gemäß aller örtlichen Normen und Vorschriften geerdet ist.

### ⚠️ WARNUNG

Unsaubere Anschluss des Geräte-Schutzleiters kann zum Risiko von Stromschlägen führen. Ziehen Sie einen ausgebildeten Elektriker oder Monteur hinzu, falls Sie unsicher sind, ob der Entsorger ordentlich geerdet ist. Falls das bereitgestellte EZ Connect-Stromkabel nicht mit der Steckdose kompatibel ist, versuchen Sie nicht, den Stecker zu modifizieren oder ihn mit Gewalt in die Steckdose zu pressen. Lassen Sie einen qualifizierten Elektriker eine passende Steckdose installieren.

- Dieser Entsorger muss ordnungsgemäß geerdet sein.
- Verbinden Sie den Erdleiter nicht mit der Gaszuleitung.
- Schalten Sie den Strom ab, bevor Sie den Entsorger installieren oder warten.
- Das EZ Connect-Stromkabel muss in eine 3-polige geerdete Dose gesteckt werden.
- Alle Leitungsführungen müssen den gesetzlichen Vorschriften vor Ort entsprechen.
- Stellen Sie die Stromzufuhr im Hauptschaltschrank erst dann wieder her, wenn ordnungsgemäß eine Erdung installiert ist.

### HINWEIS

- Verwenden Sie keine Silikonichtmasse auf irgendeiner anderen Entsorgerverbindung außer dem Beckenflansch. Verwenden Sie keine Gewindedichtmasse. Diese können den Entsorger beschädigen und Sachschäden verursachen.
- Wird bei Modellen mit Anti-Vibration Tailpipe Mount™ die mitgelieferte Draht-Schlauchklemme nicht verwendet, erlischt der Garantieanspruch.
- Damit Wasser ordentlich abfließen kann und nicht im Entsorger steht, muss beim Verwenden eines geraden Abflussrohrs die Rohrverbindung auf der Gegenseite des Entsorgers tiefer als die Auslassöffnung des Entsorgers liegen.

### ⚠️ WARNUNG - Beim Verwenden elektrischer Geräte sind stets grundlegende Vorsichtsmaßnahmen zu befolgen, unter anderem:

- Lesen Sie sich alle Anleitungen durch, bevor Sie das Gerät benutzen.
- Um die Gefahr von Verletzungen zu minimieren, ist genaue Aufsicht erforderlich, wenn ein Gerät in der Nähe von Kindern verwendet wird.
- Stecken Sie nie Finger oder Hände in den Entsorger.
- Stellen Sie den Stromschalter in die Aus-Position, bevor Sie versuchen, eine Blockierung zu beseitigen oder Fremdkörper aus den Entsorger zu entfernen.
- Wenn Sie versuchen, eine Blockierung des KüchenabfallentSORGERS zu beseitigen, verwenden Sie den Sechskantschlüssel.
- Wenn Sie versuchen, Fremdkörper aus dem AbfallentSORGER zu entfernen, verwenden Sie eine Zange mit langem Griff.
- Geben Sie keines der Folgenden in den Entsorger: Muschel- oder Austernschalen, tzenze Abflussreiniger oder ähnliche Produkte, Glas, Porzellan oder Plastik, Metall (wie z. B. Flaschendeckel, Stahlschrott, Blechdosen oder Besteck), heißes Fett oder andere heiße Flüssigkeiten.
- Lassen Sie den Beckenverschluss eingesetzt, wenn der Entsorger nicht in Betrieb ist, um das Risiko zu verringern, dass Gegenstände in den Entsorger fallen.
- Dieses Produkt wurde für die Entsorgung normaler Haushaltsküchenabfälle konzipiert. Werden andere Fremdkörper als Speiseabfälle eingeführt, kann dies zu Personen- und/oder Sachschäden führen.
- Geben Sie keines der Folgenden in den Entsorger: Farbe, Lösungsmittel, Haushaltsreiniger und Chemikalien, Flüssigkeiten aus Automobilen, Plastikfolie.
- BRANDGEFAHR: Lagern Sie keine brennbaren Gegenstände wie Lappen, Papier oder Spraydosen in Entsorgern. Lagern Sie kein Benzin oder andere brennbare Dämpfe und Flüssigkeiten in der Nähe des Entsorgers.
- GEFAHR UNDICHTER STELLEN: Prüfen Sie Entsorger und Anschlussstücke regelmäßig auf undichte Stellen, da diese Sach- und Personenschaden verursachen können.

### BEDIENUNGSANLEITUNG\* (BEWAHREN SIE DIESE ANLEITUNG AUF)

1. Nehmen Sie den Beckenverschluss aus dem Spülbecken und lassen kaltes Wasser laufen.
2. Schalten Sie den Entsorger an.
3. Führen Sie langsam Lebensmittelreste in den Entsorger ein.
4. Schalten Sie den Entsorger nach Ende des Mahlvorgangs aus und lassen Sie 10-15 Sekunden Wasser laufen, um das Abflussrohr nachzuspülen.

### ANWEISUNGEN BEZIEHEN SICH AUF RISIKO VON BRAND, STROMSCHLAG, PERSONEN- ODER SACHSCHÄDEN



## WIR EMPFEHLEN:

- Lassen Sie kaltes Wasser laufen und schalten dann den Entsorger an. Lassen Sie das kalte Wasser nach Ende des Mahlvorgangs noch einige Sekunden laufen, um das Abflussrohr nachzuspülen.
- Mahlen Sie hartes Material wie kleine Knochen, Obstkerne und Eis. Durch die Partikel entsteht in der Mahlkammer ein reinigender Scheuereffekt.
- Mahlen Sie Schalen von Zitrusfrüchten, um den Geruch des Abflusses aufzufrischen.
- Verwenden Sie nach Bedarf Entsorgerreinigungsmittel, Fettlöser oder geruchbekämpfende Mittel, um unangenehme Gerüche durch Fettablagerungen zu mildern.

### HINWEIS

Wird der Entsorger nicht ordentlich durchgespült, kann dies zu Schäden am Entsorger und/oder Sachschäden führen.

## FOLGENDES VERMEIDEN:

- Gießen Sie kein Öl oder Fett in den Entsorger oder andere Abflüsse. Es kann sich ablagern und Abflüsse verstopfen. Füllen Sie Öl in ein Glas oder einen Behälter und entsorgen es im Restmüll.
- Verwenden Sie beim Mahlen von Essensresten kein heißes Wasser. Es ist unbedenklich, zwischen Mahlvorgängen heißes Wasser in den Entsorger fließen zu lassen.
- Füllen Sie den Entsorger nicht mit großen Mengen an Gemüseschalen auf einmal. Machen Sie stattdessen zuerst das Wasser und den Entsorger an und führen die Schalen nach und nach ein.\*
- Mahlen Sie keine großen Mengen an Eierschalen oder faserigem Material wie Maiskolben, Artischocke etc., um eine mögliche Verstopfung des Ausflusses zu vermeiden.
- Schalten Sie den Entsorger nicht aus, bis der Mahlvorgang beendet ist und nur das Geräusch von Motor und Wasser zu hören ist.  
\*Benutzer von Cover Control lesen bitte die Cover Control-Bedienungsanleitung durch.

## WARTUNGSANLEITUNG FÜR BENUTZER

### ENTSORGER REINIGEN

Mit der Zeit können sich Speisereste in der Mahlkammer und Schutzmanschette ansammeln. Geruchsbildung im Entsorger ist meist ein Zeichen von Resteablagerungen.

**Achten Sie darauf, das Entsorgerstromkabel vor jeglichen Wartungsarbeiten vom Strom zu trennen.**

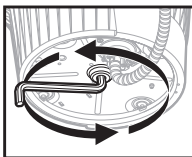
### Um den Entsorger zu reinigen:

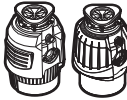
1. Setzen Sie den Beckenverschluss in den Beckenablauf und füllen das Becken halb voll mit warmem Wasser.
2. Mischen Sie Backpulver in das Wasser. Schalten Sie den Entsorger an und entfernen gleichzeitig den Beckenverschluss, um lose Rückstände wegzuspülen.
3. Entfernen Sie die Dichtungsmanschette und reinigen diese von Hand oder in der Spülmaschine. Benutzen Sie den Entsorger nicht ohne eingelegte Dichtungsmanschette.


### BLOCKIERUNGEN BEHEBEN

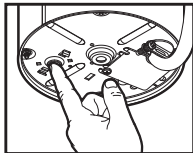
Falls sich der Motor während der Benutzung des Entsorgers abschaltet, ist das Gerät möglicherweise blockiert. Um die Blockierung zu beheben:

1. Schalten Sie Entsorger und Wasser aus.
2. Stecken Sie ein Ende des Sechskantschlüssels in das mittlere Loch an der Unterseite des Entsorgers. Bewegen Sie den Sechskantschlüssel hin und her, bis Sie eine ganze Umdrehung machen können. Entfernen Sie den Schlüssel.
3. Greifen Sie mit einer Zange in das Gerät und entfernen Sie den oder die Fremdkörper.



- 4.1  Der Entsorger ist mit einem automatischen Überlastschalter ausgestattet. Lassen Sie den Entsorger bis zu 20 Minuten abkühlen, bevor Sie ihn erneut anschalten. (Ist der Motor weiterhin nicht betriebsfähig, überprüfen Sie Ihre Sicherungen bzw. Stromschalter.)

- 4.2  Lassen Sie den Motor 3-5 Minuten lang abkühlen, bevor Sie den roten Überlastschalter an der Unterseite des Entsorgers leicht drücken. (Ist der Motor weiterhin nicht betriebsfähig, überprüfen Sie Ihre Sicherungen bzw. Trennschalter.)



## Garantieinformationen (Garantiezeitraum in Jahren\*)

Die Garantie richtet sich nach der Seriennummer und dem Installationsdatum des Geräts. Um den Garantieanspruch zu überprüfen, kann die Rechnung oder der Installationsbeleg verlangt werden.

Registrieren Sie Ihr Produkt auf <http://www.insinkerator-worldwide.com>, um zu sehen, ob Sie Anspruch auf ein erweitertes Angebot haben. Der Garantiezeitraum variiert je nach Absatzgebiet.

### SERVICE

Sollten Servicearbeiten notwendig werden, wenden Sie sich an ein autorisiertes InSinkErator-Kundenzentrum oder Ihren Händler. Die Garantie verfallen, falls Sie Ihren Entsorger nach der Installation entfernen und zu reparieren versuchen oder falls Sie das Gerät für kommerzielle Zwecke nutzen.

Garantiezeitraum der Modelle in Jahren entnehmen Sie bitte der nachstehenden Tabelle.

Modell	EU	MX	BR	Korea	Indien
S460 SR/EC/RC	2	2	2		
Premium 550 SR	3	3	3	3	3
Premium 700 SR	4	4	4		
Evolution Plus 750 SR	5	5	5	5	5
Evolution Plus 1000 SR	6	6	6	6	
Premium 550 EC	2				
Premium 700 EC	2				
Evolution Plus 750 EC	3				
Evolution Plus 1000 EC	4				
Premium 550 RC	2				
Premium 700 RC	3				
Evolution Plus 750 RC	4				
Evolution Plus 1000 RC	5				

# Dissipatore di rifiuti alimentari

Istruzioni di installazione

in sink erator



Scansionare il codice QR per visualizzare il video dell'installazione.

©2023 Tutti i diritti riservati.

## Dimensioni

### Per la tubazione di scarico

\*Distanza dal fondo del lavello alla mezzeria dell'uscita del dissipatore di rifiuti. Aggiungere 12,7 mm in caso di utilizzo di lavelli in acciaio inox.

\*\*Lunghezza del tubo di scarico dalla mezzeria dell'uscita del dissipatore di rifiuti alla fine del tubo di scarico.

\*\*\*La distanza tra il fondo della vasca del lavello al tubo di scarico deve essere compresa tra 20 e 30 cm.

Nota: per le dimensioni del modello Cover Control, vedere Cover Control

## Strumenti e materiali richiesti (Non inclusi)



### Include

- |                                      |                                   |  |  |
|--------------------------------------|-----------------------------------|--|--|
| 1. Tappo                             | 9. Viti da 38,1 mm                | 16. Scarico a Y                        | 24. Ghiera (3 finiture fornite)                                  |
| 2. Tappo salvaposate*                | 10. Viti da 28,6 mm               | 17. Attacco scarico a Y antivibrazione | 25. Pulsante (3 finiture fornite)                                |
| 3. Guarnizione antispruzzo           | 11. Anello elastico               | 18. Cravatta fermatubi                 | 26. Corpo filettato  |
| 4. Collarino del lavello             | 12. Anello di montaggio inferiore | 19. Chiave a brugola                   | 27. Guarnizione di gomma   |
| 5. Guarnizione in gomma per lavello* | 13. Tappo ingresso lavastoviglie  | 20. Bulloni                            | 28. Rondella in acciaio inox***                                  |
| 6. Guarnizione in fibra              | 14. Guarnizione per scarico a Y   | 21. Vite di messa a terra              | 29. Dado di fissaggio in plastica                                |
| 7. Collarino di sostegno             | 15. Collarino                     | 22. Cavo di alimentazione EZ Connect   | 30. Interruttore pneumatico con cavo di alimentazione a 3 fili** |
| 8. Anello di montaggio               |                                   | 23. Tubo pneumatico**                  | 31. Viti da 19 mm**  |

\*Solo modelli specifici

\*\*Incluso con i modelli Next Gen

\*\*\*La rondella opzionale in acciaio inox viene utilizzata per scarichi del lavello con diametro superiore a 33 mm

## \*⚠\* Informazioni di sicurezza

**⚠ PERICOLO** indica una situazione di pericolo che, se non viene evitata, causerà morte o gravi lesioni.

**⚠ AVVERTENZA** indica una situazione di pericolo che, se non viene evitata, può causare morte o gravi lesioni.

**⚠ ATTENZIONE** indica una situazione di pericolo che, se non evitata, potrebbe causare lesioni lievi o moderate.

**AVVISO** utilizzato per le pratiche non associate a lesioni personali.

**ISTRUZIONI DI SICUREZZA** (o equivalente) segnali che indicano istruzioni o procedure specifiche relative alla sicurezza.

**⚠ AVVERTENZA** Leggere con attenzione queste istruzioni. La mancata osservanza delle istruzioni per l'installazione, il funzionamento e la manutenzione da parte dell'utente può causare lesioni personali, perdite d'acqua o danni materiali.

### ⚠ PERICOLO DI SCOSSA

Togliere l'alimentazione elettrica dalla scatola dei fusibili prima di iniziare l'installazione.

### AVVISO

- **Rischio di danni materiali.** Non utilizzare il silicone per installazioni del dissipatore di rifiuti diverse dal collarino del lavello. Non utilizzare sigillanti per filettature.
- **Rischio di danni materiali.** Se si collega una lavastoviglie, la relativa spina di ingresso **DEVE** essere rimossa o la lavastoviglie potrebbe traboccare. Vedere i punti 11 o 16.

## Rimozione del dissipatore di rifiuti esistente

Se si sta sostituendo un Dissipatore di rifiuti esistente, passare al punto 1.

In assenza di un dissipatore di rifiuti, disattivare l'alimentazione elettrica dall'interruttore automatico o dalla scatola dei fusibili, scollegare lo scarico del lavello e passare al punto 8.

1. Disattivare l'alimentazione elettrica dall'interruttore automatico o dalla scatola dei fusibili. Scollegare il sifone dalla tubazione di scarico. Scollegare la lavastoviglie se collegata al dissipatore di rifiuti.
2. Sostenere il dissipatore di rifiuti, inserire l'estremità di (19) nel lato destro dell'aletta di montaggio e girare. Il dissipatore di rifiuti si staccherà.

### ⚠ AVVERTENZA DI PERICOLO DI CADUTA

3. Scollegare il cavo, rimuovere l'unità. Il cavo di alimentazione esistente non deve essere riutilizzato. È necessario utilizzare il cavo di alimentazione EZ Connect di InSinkErator. Procedere con il punto 4.

## Rimozione del kit d'installazione esistente dal lavello

4. Se il kit d'installazione del nuovo dissipatore di rifiuti è lo stesso, è possibile passare al punto 11.

**Nota:** per i lavelli di spessore superiore a 9,5 mm, è necessario sostituire le viti esistenti da 38,1 mm (9) con viti da 28,6 mm (10). Vedere il punto 11.

Utilizzando un cacciavite a testa piatta, allentare le 3 viti sul gruppo di montaggio.

5. Con un cacciavite a testa piatta, fare leva su (11).
6. Rimuovere il collarino dal lavello. Rimuovere la vecchia guarnizione o lo stucco da idraulico dal lavello con un coltello da stucco.

## Installazione del collarino del lavello

- 7.1 Per i modelli con una guarnizione in gomma: Montare (4) su (5\*) e posizionare saldamente sullo scarico del lavello.

### AVVISO

**Danni materiali.** Rischio di perdite d'acqua a lungo/breve termine in caso di assemblaggio errato.

\*Solo per modelli specifici.

- 7.2 Per i modelli senza guarnizione in gomma: applicare uniformemente uno strato di silicone sigillante intorno a (4). Premere saldamente (4) nello scarico del lavello.

### AVVISO

**Danni materiali.** Rischio di perdite d'acqua a lungo/breve termine in caso di assemblaggio errato.

## Fissaggio del gruppo di montaggio

8. Posizionare un peso, ad esempio il dissipatore di rifiuti, sul collarino del lavello per tenerlo in posizione. Utilizzare un asciugamano per evitare di graffiare il lavello.
9. Inserire (6), (7) e (8). Tenere in posizione durante l'inserimento (11). Aprire (11) e premere con forza finché non scatta in posizione.

10. Serrare uniformemente e saldamente (9) contro il collarino di sostegno. Utilizzare (10) se il lavello ha uno spessore superiore a 9,5 mm.

Se il lavello ha uno spessore superiore a 19 mm, necessario un collarino esteso (FLG-SSLG), venduto separatamente.



Per il modello S460 se si utilizza il raccordo per lavastoviglie, passare al punto 11.

Per il modello S460 se NON si utilizza il raccordo per lavastoviglie, passare al punto 12.

## Rimozione del tappo di ingresso della lavastoviglie (modello S460)

**IMPORTANTE: solo collegamento alla lavastoviglie**

### AVVISO

Se il collegamento della lavastoviglie viene effettuato senza rimuovere il tappo di ingresso della lavastoviglie, quest'ultima potrebbe traboccare.

11. Se si collega una lavastoviglie, rimuovere il relativo tappo di ingresso.

### AVVISO

Il tappo di ingresso della lavastoviglie non può essere sostituito una volta che è stato smontato. Girare il dissipatore di rifiuti su un lato ed estrarre il tappo di scarico con un cacciavite. Rimuovere il tappo dall'interno del dissipatore di rifiuti con una pinza.

## Connessione del tubo pneumatico al dissipatore di rifiuti (modello S460)

12. Spingere un'estremità del tubo pneumatico (23) sul foro di uscita dell'interruttore pneumatico, situato sul lato inferiore del dissipatore di rifiuti. Passare al punto 15.1 o 15.2.



**Installazione dell'accessorio Cover Control:** passare alla Guida di installazione di Cover Control e completare l'installazione. Una volta installato Cover Control, passare al punto 15.1 o 15.2 per completare l'installazione del dissipatore di rifiuti.

**Nota:** Cover Control non è disponibile in tutti i mercati.



Per tutti i modelli tranne S460: passare al punto 13.

## Collegamento elettrico (modelli Next Gen)

### ⚠ ATTENZIONE

Se il cavo EZ Connect non viene fornito con il dissipatore di rifiuti, dovrà essere acquistato separatamente. Non riutilizzare il cavo di alimentazione preesistente.

13. Rimuovere (21) dalla parte inferiore del dissipatore di rifiuti. Inserire (22) nell'apertura sul fondo del dissipatore di rifiuti. Spingere in avanti (22) per collegare l'alimentazione al dissipatore di rifiuti.
14. Installare e serrare (21) attraverso (22) e nella parte inferiore del dissipatore di rifiuti.

## Installazione dello scarico a Y



Le istruzioni di ricollegamento sono disponibili **QUI** in caso di installazione di un accessorio Cover Control.

**15.1** Per gran parte dei modelli (dotati dei componenti 14, 15 e 16):  
inserire (14) nell'uscita di scarico del dissipatore di rifiuti. Fissare il gruppo (15, 16) con (20).

**15.2** Per i modelli provvisti di Anti-vibration Tailpipe Mount (presente nei componenti 16, 17 e 18):  
inserire (17) nell'uscita di scarico del dissipatore di rifiuti. Fissare (17) con (20). Inserire (16) in (17) e fissare con (18).

## Rimozione del tappo di ingresso della lavastoviglie

(tutti i modelli tranne S460)

**IMPORTANTE: solo collegamento alla lavastoviglie**

**16.** Inserire (19) in (13) e ruotare di 90° in senso antiorario per rimuovere il tappo di chiusura.

## Collegamento del dissipatore di rifiuti al gruppo di montaggio

**17.** Sollevando il dissipatore di rifiuti dal basso, appenderlo allineando le 3 linguette di montaggio su (12) con le rampe di scorrimento su (8) e ruotare leggermente il dissipatore di rifiuti in senso antiorario.

### ⚠ AVVERTENZA

Non posizionare la testa o il corpo sotto il dissipatore di rifiuti; l'unit potrebbe cadere durante la rimozione o l'installazione.

### AVVISO

**Danni materiali:** rischio di perdite d'acqua a lungo/breve termine se tutte e tre le linguette di montaggio non sono correttamente innestate su tutte le rampe scorrevoli e bloccate in posizione oltre le creste.

**18.** Utilizzando (19), ruotare (12) finché tutte e 3 le linguette di montaggio non si agganciano alle creste delle rampe di scorrimento. Ruotare il dissipatore di rifiuti per allineare la tubazione di scarico.

**19.** Staccare la parte rimovibile dell'etichetta delle specifiche e posizionarla in un punto visibile.

*Scansionare il codice QR sull'etichetta del prodotto per ottenere la registrazione e ulteriori informazioni sul prodotto.*

## Collegamento del dissipatore di rifiuti all'impianto idraulico

**20.** Ricollegare l'impianto idraulico (e il collegamento della lavastoviglie, se utilizzata).

### AVVISO

**Danni materiali:** rischio di perdite d'acqua se il montaggio non è corretto.

Per ridurre il rischio di perdite, la linea di scarico deve essere adeguatamente inclinata (non meno di 6,4 mm di inclinazione per 0,3 m di lunghezza) dal dissipatore di rifiuti all'attacco di scarico, con l'attacco di scarico posto più in basso rispetto allo scarico del dissipatore di rifiuti. La mancata osservanza di questa precauzione potrebbe causare una corrosione prematura o perdite dovute all'acqua stagnante lasciata nel dissipatore di rifiuti.

Per i dissipatori di rifiuti provvisti di Anti-Vibration Tailpipe Mount™, assicurarsi che l'attacco del tubo di scarico non sia flessibile. Potrebbe essere necessario rifinire il tubo per adattarlo correttamente.

## Installazione finale

**21.** Se si preferisce una finitura diversa:  
Ruotare (24) in senso antiorario per rimuovere la finitura esistente (24) e (25) da (26).  
Installare una finitura diversa (24) e (25) su (26) ruotando (24) in senso orario per fissarla.

**22.** Montare il gruppo (24, 25, 26) attraverso un foro standard del lavello.

OPPURE

Montare il gruppo (24, 25, 26) attraverso il piano di lavoro praticando un foro di 33 mm di diametro. Posizionare (27) tra il gruppo (24, 25, 26) e la parte superiore del piano del lavello. Serrare (29) sotto il piano del lavello per garantire una tenuta stagna.

**\*\* L'elemento opzionale (28) viene utilizzato per fori del lavello con diametro superiore a 33 mm. Posizionarlo tra il piano del lavello e (27).**

**23.** Inserire l'estremità rimanente del modello (22) Next Gen o (23) S460 nella parte inferiore di (26).

Per il modello S460, inserire in una presa a muro.



Per **tutti i modelli tranne S460**: Passare al punto 24.

**24.** Montare (30) saldamente con (31) in una parete dell'armadio entro 900 mm dal dissipatore di rifiuti e dalla presa elettrica.

**25.** Fissare (23) alla parte inferiore di (30).  
Inserire (30) nella presa elettrica.

## Controllo delle perdite

**26.1** Per verificare l'assenza di perdite, inserire (3) in (4), premere uniformemente finché non scatta in posizione. Inserire (1) nello scarico del lavello, riempire il lavello d'acqua; rimuovere (1) per scaricare l'acqua, quindi controllare che non vi siano perdite sotto il lavello. Ricollegare l'alimentazione elettrica alla scatola dei fusibili o degli interruttori automatici.

## Controllo perdite/funzionamento (Tappo salvaposate)\*

**26.2** Per verificare l'assenza di perdite, inserire (3) in (4), premere uniformemente finché non scatta in posizione. Inserire (2) nello scarico del lavello, riempire il lavello d'acqua, sollevare (2) per aprire e scaricare. Quindi controllare che non vi siano perdite d'acqua sotto il lavello. Ricollegare l'alimentazione elettrica alla scatola dei fusibili o degli interruttori automatici.

Per far funzionare il dissipatore di rifiuti con il Tappo salvaposate, inserire lentamente i rifiuti alimentari nel dissipatore di rifiuti e posizionare (2) in verticale (lasciando scorrere l'acqua) per ridurre al minimo il rumore e la possibile espulsione di materiale durante la dissipazione.

Al termine della dissipazione, spegnere il dissipatore di rifiuti e far scorrere l'acqua per alcuni secondi per lavare la linea di scarico. (2) funge anche da tappo nella posizione inferiore.

## ISTRUZIONI IMPORTANTI DI SICUREZZA

### ISTRUZIONI RELATIVE AL RISCHIO DI INCENDI, SCOSSE ELETTRICHE, LESIONI ALLE PERSONE O DANNI MATERIALI

#### ISTRUZIONI PER LA MESSA A TERRA

Per tutti i dissipatori di rifiuti collegati a terra e con cavo: questo dissipatore di rifiuti deve essere collegato a terra per ridurre il rischio di scosse elettriche in caso di malfunzionamento o guasto. La messa a terra fornisce un percorso di minima resistenza per la corrente elettrica. necessario utilizzare il cavo di alimentazione EZ Connect di InSinkErator. La spina deve essere inserita in una presa di corrente correttamente installata e dotata di messa a terra, in conformità con tutti i codici e le ordinanze locali.

#### **⚠️ AVVERTENZA**

Il collegamento non corretto del conduttore di messa a terra dell'apparecchiatura può comportare il rischio di scosse elettriche. In caso di dubbi sulla corretta messa a terra del dissipatore di rifiuti, rivolgersi a un elettricista o a un tecnico qualificato. Se il cavo di alimentazione EZ Connect in dotazione non è adatto alla presa di corrente, non modificare la spina né tentare di forzarla nella presa. Far installare una presa adeguata da un elettricista qualificato.

- Il dissipatore di rifiuti deve essere correttamente collegato a terra.
- Non collegare il filo di terra alla linea di erogazione del gas.
- Scollegare l'alimentazione prima di installare o eseguire interventi di manutenzione sul dissipatore di rifiuti.
- Il cavo di alimentazione EZ Connect deve essere inserito nella presa tripolare con messa a terra.
- Tutti i cablaggi devono essere conformi alle norme elettriche locali.
- Non ricollegare la corrente elettrica al quadro elettrico principale finché non siano stati eseguiti collegamenti a terra adeguati.

#### **AVVISO**

- Non utilizzare il silicone per installazioni del dissipatore di rifiuti diverse dal collarino del lavello. Non utilizzare sigillanti per filettature. Possono danneggiare il dissipatore di rifiuti e causare danni materiali.
- Per i modelli equipaggiati con Anti-Vibration Tailpipe Mount™, il mancato utilizzo della fascetta stringitubo a molla in dotazione rende nulla la garanzia.
- Per drenare correttamente e prevenire l'acqua stagnante nel dissipatore di rifiuti quando si utilizza una tubazione di scarico diretta, il raccordo del tubo opposto all'uscita del dissipatore di rifiuti deve essere più basso, non più alto, rispetto all'uscita del dissipatore di rifiuti.

**⚠️ AVVERTENZA**-Quando si utilizzano apparecchi elettrici, necessario seguire sempre le precauzioni di base, tra cui:

- Leggere tutte le istruzioni prima di utilizzare l'apparecchio.
- Per ridurre il rischio di lesioni, necessaria una stretta sorveglianza quando l'apparecchio viene utilizzato vicino ai bambini.
- Non inserire le dita o le mani nel dissipatore di rifiuti.
- Prima di tentare di eliminare un inceppamento o di rimuovere un oggetto dal dissipatore di rifiuti, spegnere l'interruttore di alimentazione.
- Quando si cerca di allentare un inceppamento in un dissipatore di rifiuti, utilizzare la chiave a brugola in dotazione.
- Quando si cerca di rimuovere oggetti da un dissipatore di rifiuti, utilizzare pinze o tenaglie a manico lungo.
- Non inserire nel dissipatore di rifiuti: gusci di vongole o ostriche, detergenti caustici per scarichi o prodotti simili, vetro, porcellana o plastica, metallo (come tappi di bottiglia, pallini d'acciaio, lattine o utensili), grasso caldo o altri liquidi caldi.
- Quando non si utilizza il dissipatore di rifiuti, lasciare il tappo in posizione per ridurre il rischio di caduta di oggetti nel dissipatore di rifiuti.
- Questo prodotto è progettato per smaltire i normali rifiuti alimentari domestici; l'inserimento di materiali diversi dai rifiuti alimentari nel dissipatore di rifiuti potrebbe causare lesioni personali e/o danni materiali.
- Non smaltire nel dissipatore di rifiuti: vernici, solventi, detergenti e prodotti chimici per la casa, liquidi per autoveicoli, involucri di plastica.
- **RISCHIO DI INCENDIO:** non conservare oggetti infiammabili come stracci, carta o bombolette spray vicino al dissipatore di rifiuti. Non immagazzinare o utilizzare benzina o altri vapori e liquidi infiammabili in prossimità del dissipatore di rifiuti.
- **RISCHIO DI PERDITE:** ispezionare regolarmente il dissipatore di rifiuti e i raccordi idraulici per verificare l'eventuale presenza di perdite, che possono causare danni materiali e lesioni personali.

#### **ISTRUZIONI PER L'USO\*** (CONSERVARE QUESTE ISTRUZIONI)

1. Rimuovere il tappo dallo scarico del lavello e far scorrere acqua fredda.
2. Accendere il dissipatore di rifiuti.
3. Inserire lentamente i rifiuti alimentari nel dissipatore.
4. Al termine della dissipazione, spegnere il dissipatore di rifiuti e far scorrere l'acqua per 10-15 secondi per lavare la linea di scarico.

#### **ISTRUZIONI RELATIVE AL RISCHIO DI INCENDI, SCOSSE ELETTRICHE, LESIONI ALLE PERSONE O DANNI MATERIALI**



## DA FARE...

- Accendere prima l'acqua fredda e poi il dissipatore di rifiuti. Al termine della dissipazione, continuare a far scorrere l'acqua fredda per alcuni secondi per lavare il tubo di scarico.
- Triturare materiali duri come piccoli ossi, noccioli di frutta e ghiaccio. Le particelle all'interno della camera di dissipazione creano un'azione abrasiva.
- Triturare le bucce degli agrumi per eliminare gli odori dagli scarichi.
- Se necessario, utilizzare un detergente, uno sgrassatore o un deodorante per eliminare gli odori sgradevoli del dissipatore di rifiuti causati dall'accumulo di grasso.

## AVVISO

L'errato lavaggio del dissipatore di rifiuti può causare danni al prodotto e/o danni materiali.

## DA NON FARE...

- Non versare grasso o unto nel dissipatore di rifiuti o in qualsiasi altro scarico. Può accumularsi nelle tubature e causare l'ostruzione degli scarichi. Mettere il grasso in un barattolo o in una lattina e smaltirlo con la spazzatura.
- Non usare acqua calda quando si triturano i rifiuti alimentari. possibile far scorrere acqua calda nel dissipatore di rifiuti tra un utilizzo e l'altro.
- Non riempire il dissipatore di rifiuti con molte bucce di verdura tutte insieme. Invece, accendere prima l'acqua, poi il dissipatore di rifiuti e infine inserire le bucce gradualmente.\*
- Non triturare grandi quantit di gusci d'uovo o di materiali fibrosi come bucce di mais, carciofi, ecc. per evitare il blocco dello scarico.
- Non spegnere il dissipatore di rifiuti fino a quando la dissipazione non terminata e si sente solo il rumore del motore e dell'acqua. \*Gli utenti di Cover Control sono tenuti a fare riferimento al manuale di istruzioni specifico di Cover Control.

## ISTRUZIONI DI MANUTENZIONE PER L'UTENTE

### PULIZIA DEL DISSIPATORE DI RIFIUTI

Con il tempo, le particelle di cibo possono accumularsi nella camera di dissipazione e nella guarnizione antispruzzo. La presenza di odori provenienti dal dissipatore di rifiuti solitamente un segno di accumulo di cibo.

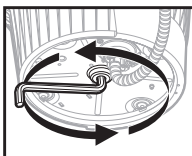
### Per pulire il dissipatore di rifiuti:

1. Inserire il tappo nello scarico del lavello e riempirlo per metà con acqua calda.
2. Mescolare una soluzione di bicarbonato di sodio con acqua. Accendere il dissipatore di rifiuti e rimuovere contemporaneamente il tappo dal lavello per lavare via i residui sciolti.
3. Rimuovere la guarnizione antispruzzo del lavello e pulirla a mano o in lavastoviglie. Non mettere in funzione il dissipatore di rifiuti senza la guarnizione antispruzzo al suo posto.

### SBLOCCO DELL'INCEPPAMENTO DEL DISSIPATORE DI RIFIUTI

Se il motore si arresta mentre il dissipatore di rifiuti in funzione, quest'ultimo potrebbe essere inceppato. Per sbloccare l'inceppamento:

1. Spegnere il dissipatore di rifiuti e l'acqua.
2. Inserire un'estremità della chiave a brugola nel foro centrale sul fondo del dissipatore di rifiuti. Muovere la chiave a brugola avanti e indietro finché non compie un giro completo. Rimuovere la chiave a brugola.
3. Inserire una pinza nel dissipatore di rifiuti e rimuovere gli eventuali oggetti presenti.



4.1

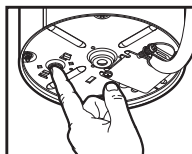


Il dissipatore di rifiuti dotato di un interruttore automatico di sovraccarico. Lasciare raffreddare il dissipatore di rifiuti per un periodo massimo di 20 minuti prima di riaccenderlo. (Se il motore rimane inattivo, controllare il quadro elettrico per verificare che non siano scattati interruttori automatici e che non vi siano fusibili bruciati).

4.2



Lasciare raffreddare il motore del dissipatore di rifiuti per 3 - 5 minuti, quindi premere leggermente il pulsante rosso di ripristino sul fondo del dissipatore di rifiuti. (Se il motore rimane inattivo, controllare il quadro elettrico per verificare che non siano scattati interruttori automatici e che non vi siano fusibili bruciati.)



## Informazioni sulla garanzia (Periodo di garanzia in anni\*)

La garanzia determinata dal numero di serie dell'unità e dalla data di installazione. Per verificare lo stato della garanzia può essere richiesta la ricevuta di acquisto o di installazione.

Registrare il proprio prodotto alla pagina <http://www.insinkerator-worldwide.com> per verificare se si dispone dei requisiti necessari per ricevere l'offerta estesa. Il periodo di garanzia varia in base al mercato.

### ASSISTENZA

Se necessario un intervento di assistenza, contattare un centro di assistenza autorizzato InSinkErator o il proprio rivenditore. La garanzia decade se dopo l'installazione si smonta il dissipatore di rifiuti e si tenta di ripararlo o se viene utilizzato per scopi commerciali.

Il modello e l'anno di garanzia sono elencati nella tabella sottostante.

Modello	UE	MX	BZ	Corea	India
S460 SR/EC/RC	2	2	2		
Premium 550 SR	3	3	3	3	3
Premium 700 SR	4	4	4		
Evolution Plus 750 SR	5	5	5	5	5
Evolution Plus 1000 SR	6	6	6	6	
Premium 550 EC	2				
Premium 700 EC	2				
Evolution Plus 750 EC	3				
Evolution Plus 1000 EC	4				
Premium 550 RC	2				
Premium 700 RC	3				
Evolution Plus 750 RC	4				
Evolution Plus 1000 RC	5				

# Matavfallskvarn

## Installationsanvisningar



Skanna QR-koden för att titta på installationsvideon.

©2023 Alla rättigheter förbehålles.

## Dimensioner

### För böjt utloppsrör

\*Avstånd från botten av vasken till mittlinjen på kvarnens utlopp. Lägg till 12,7 mm när man använder vaskar av rostfritt stål.

\*\*Längden av ändröret från mittlinjen på kvarnens utlopp till änden av ändröret.

\*\*\*Avståndet mellan vaskens botten till utloppsröret måste vara minst 20 cm till 30 cm.

**OBS!** För dimensioner för Cover Control-modellen – se Cover Control

## Verktyg och material som behövs (Ej inkluderade)



### Inkluderar

- |                           |                                 |  |   |
|---------------------------|---------------------------------|--|---|
| 1. Propp                  | 9. 38,1 mm skruvar              | 17. Antivibrationskydd för Y-rörsf ste | 25. Tryckknapp (3 finishar tillhandahålls)        |
| 2. Alba-propp*            | 10. 28,6 mm skruvar             | 18. Fj derkl mma                       | 26. G ngat hus                                    |
| 3. Vaskskydd              | 11. L sring                     | 19. Vridverktyg                        | 27. Gummipackning                                 |
| 4. Vaskfl ns              | 12. Nedre monteringsring        | 20. Bultar                             | 28. Bricka i rostfritt st l***                    |
| 5. Vaskpackning av gummi* | 13. Propp för diskmaskinsinlopp | 21. Jordningsskruv                     | 29. Plastmutter                                   |
| 6. Vaskpackning av fiber* | 14. Y-rörspackning              | 22. EZ Connect-elkabel                 | 30. Tryckluftsströmbrytare med 3-tr dig elkabel** |
| 7. Stödfll ns             | 15. Fl ns                       | 23. Trycklufts rör**                   | 31. 19 mm-skruvar**                               |
| 8. Monteringsring         | 16. Y-rör                       | 24. Ring ((3 finishar tillhandahålls)  |   |

\*Endast specifika modeller

\*\*Ingår i Next Gen-modeller

\*\*\*Tillvalet bricka i rostfritt stål används för vasköppningar större än 33 mm

## \*⚠\* Säkerhetsinformation

### ⚠ FARA

indikerar en farlig situation som, om den inte undviks, kommer att leda till dödsfall eller allvarlig skada.

### ⚠ VARNING

indikerar en farlig situation som, om den inte undviks, kan leda till dödsfall eller allvarlig skada.

### ⚠ FÖRSIKTIGHET

indikerar en farlig situation som, om den inte undviks, skulle kunna leda till lindrig eller m ttlig personskada.

### OBS!

anv nds vid förfaranden som inte r förknippade med personsador.

### SÄKERHETS ANVISNINGAR

(eller likv rdiga) symboler indikerar specifika s kerhetsrelaterade anvisningar eller procedurer.

**⚠ VARNING** L s dessa anvisningar noggrant. Om man inte följer anvisningarna för montering, drift och anvn darunderh ll kan det leda till personskada, vattenl ckage eller skada p egendom.

### ⚠ VARNING FARA FÖR ELCHOCK

St ng av strömmen vid elsk pet innan du p börjar montering.

### OBS!

- **Risk för skada på egendom.** Anv nd inte silikont tning p n gon anslutning p kvarnen förutom vaskfl nsen. Anv nd inte g ngt tningar.
- **Risk för skada på egendom.** Om du ansluter en diskmaskin **MÅSTE** diskmaskinens inloppspropp avl gsnas, annars kan diskmaskinen flöda över. Se steg 11 eller 16.

## Ta bort befintlig avfallskvarn

Om du ersätter en befintlig avfallskvarn, fortsätt till Steg 1.

Om det inte finns någon befintlig avfallskvarn, stäng av strömmen vid kretsbrytaren eller elskäpet, koppla bort vaskavloppet och gå till Steg 8.

1. Stäng av strömmen vid kretsbrytaren eller elskäpet. Koppla bort vattenledet för avfallsavloppsriöret. Koppla bort diskmaskinen om den är ansluten till kvarnen.
2. Håll i kvarnen och för in den av (19) i den högra sidan av monteringslådan och vrid om. Kvarnen kommer att falla fri.

### ⚠ VARNING FALLFARA

3. Koppla bort kabeln, ta bort enheten. Den befintliga elkabeln får inte återanvändas. InSinkErator EZ Connect-elkabeln måste användas. Gå till Steg 4.

## Avlägsnande av vaskfäste

4. **Om den nya kvarnmonteringssatsen är samma**, kan du välja att hoppa till Steg 11.

**OBS!** För vaskar som är tjockare än 9,5 mm kommer du att behöva ersätta befintliga 38,1 mm skruvar (9) med 28,6 mm skruvar (10). Se Steg 11.

Men en flat skruvmejsel lossar du på de 3 skruvarna på monteringssatsen.

5. Med en flat skruvmejsel tar du loss (11).
6. Ta bort flöden från vasken. Ta bort den gamla packningen eller rörmokarspackel med en spackelkniv.

## Installera vaskfläns

- 7.1 **För modeller med en gummipackning:** Passa in (4) över (5\*) och placera ordentligt i vasköppningen.

### OBS!

**Skada på egendom.** Risk för kortvarigt/ långvarigt vattenläckage om den inte monteras korrekt.

\*Endast för specifika modeller.

- 7.2 **För modeller utan en gummipackning:** Applicera en droppe silikonolja runt (4). Tryck bestämningen i (4) i vaskavloppet.

### OBS!

**Skada på egendom.** Risk för kortvarigt/ långvarigt vattenläckage om den inte monteras korrekt.

## Fästa monteringsatts

8. Placera en vikt, som till exempel kvarnen, på vaskflöden för att hålla den på plats. Använd en handduk för att inte repa vasken.
9. För in (6), (7) och (8). Håll på plats medan du för in (11).  
Dra (11) öppen och tryck bestämmningen tills den snäpps på plats.

10. Dra t(9) mjukt och bestämningen mot stödflojden. Använd (10) om vasken är mer än 9,5 mm tjock.

Om vasken är tjockare än 19 mm krävs en utökad vaskflöden (FLG-SSLG), som säljs separat.



För **S460-modellen** Använda diskmaskinsanslutningen, gå till steg 11.

För **S460-modellen** INTE ansluta en diskmaskin, gå till steg 12.

## Avlägsnande av propp för diskmaskinsinlopp (S460-modellen)

VIKTIGT: **Endast diskmaskinsanslutning**

### OBS!

Om diskmaskinsanslutningen görs utan att ta bort proppen för diskmaskinsinloppet kan diskmaskinen flöda över.

11. Om du ansluter en diskmaskin, avlägsna proppen för diskmaskinsinloppet.

### OBS!

Proppen för diskmaskinsinloppet kan inte sättas tillbaka när den har tryckts ut. Lågg kvarnen på sidan och tryck ut proppen med en skruvmejsel. Ta bort proppen från inuti kvarnen med en tång.

## Anslut tryckluftsröret till kvarnen (S460-modellen)

12. Tryck en änd av tryckluftsröret (23) över tryckluftsbrytarens utlopp, vilket finns på undersidan av kvarnen. Gå till steg 15.1 eller 15.2.



**Installation av tillbehöret Cover Control:** Gå till **Installationsguide för Cover Control** och avsluta installationen. När Cover Control har installerats, gå till steg 15.1 eller 15.2 för att slutföra installationen av kvarnen.

**Obs!** Cover Control finns inte på alla marknader.



För **Alla modeller utom S460:** Gå till steg 13.

## Anslut strömförsörjningen (Next Gen-modeller)

### ⚠ FÖRSIKTIGHET

Om EZ Connect-kabeln inte kommer med avfallskvarnen måste den köpas separat. återanvänd inte en befintlig elkabel.

13. Avlägsna (21) från kvarnens undersida. För in (22) i skåpan på kvarnens undersida. Tryck (22) framåt för att ansluta ström till kvarnen.
14. Installera och dra t(21) genom (22) och in i kvarnens undersida.

## Installera Y-rör



Gå tillbaka till anvisningar **HÄR** om du har installerat ett Cover Control-tillbehör.

- 15.1** För de flesta modeller (de med 14, 15 och 16 komponenter):  
För in (14) i kvarnens avloppsuttag. S kra (15, 16) satsen med (20).
- 15.2** För modeller med antivibrationsfäste för ändrör (de med 16, 17 och 18 komponenter):  
För in (17) i kvarnens avloppsuttag. S kra (17) med (20). För in (16) i (17) och s kra med (18).

## Avlägsnande av propp för diskmaskinsinlopp (alla modeller utom S460)

**VIKTIGT:** Endast diskmaskinsanslutning

- 16.** För in (19) i (13) och vrid 90 moturs för att ta bort.

## Anslut avfallskvarn till monteringsats

- 17.** Lyft upp kvarnen fr n undersidan och h ng den genom att rikta upp 3 monteringsflikar p (12) med glidskenor p (8) och l tt vrida kvarnen moturs.

### ⚠ VARNING

Placera inte ditt huvud eller kropp under avfallskvarnen - enheten kan falla under avlägsnande eller installation.

### OBS!

**Skada på egendom:** Risk för långvarigt/kortvarigt vattenläckage om inte alla tre monteringsflikarna har engagerats korrekt på alla glidskenor och i satsens plats ordentligt.

- 18.** Med (19) vrider du (12) tills alla 3 monteringsflikar griper tag över r fflorna på glidskenorna. Rotera kvarnen för att rikta upp avloppsröret.
- 19.** Ta bort den borttagningsbara delen av specifikationsetiketten och placera den på en synlig plats.

Skanna QR-koden på specifikationsetiketten för produktregistrering och ytterligare produktinformation.

## Anslut avfallskvarnen till rörledningarna

- 20.** teranslut rörledningar (och anslutning till diskmaskin om så dan finns).

### OBS!

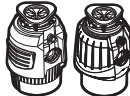
**Skada på egendom:** Risk för kortvarigt/långvarigt vattenläckage om den inte monteras korrekt.

För att minska den potentiella risken för läckage måste dr neringsröret ha en korrekt vinkel (inte mindre än 6,4 mm vinkling per 0,3 m rör) från avfallskvarnen till dr neringsanslutningen, och dr neringsanslutningen ska vara i gre n kvarnens avlopp. Om detta inte r fallet kan det leda till förtidig förorstning eller läckage orsakat av st ende vatten i kvarnen.

För avfallskvarnar som har en Anti-Vibration Tailpipe Mount™ ska man se till att ändrörets fäste inte är böjt. Det r möjligt att du behöver trimma slangen för en bra passform.

## Slutlig installation

- 21.** Om du föredrar en annan finish:  
Vrid (24) moturs för att ta bort den befintliga finishen (24) och (25) från (26).  
Installera en annan finish (24) och (25) på (26) och vrid (24) medurs för att s kra.
- 22.** Montera (24, 25, 26) satsen genom ett standardvaskavlopp.  
  
ELLER  
Montera (24, 25, 26) satsen genom diskbänken genom att borra ett hål på 33 mm i diameter. Placera (27) mellan (24, 25, 26) satsen och diskbänken ovasida. Dra t (29) under diskbänken för att se till att du har en vattentätt tätning.  
  
\*\* Tillvalet (28) används för vasköppningar större än 33 mm i diameter. Placera den mellan diskbänken och (27).
- 23.** För in terst ende nde av (22) Next Gen-modell eller (23) S460-modell på undersidan av (26).  
  
För S460-modellen. Anslut till eluttag.



För alla modeller utom S460: Gå till Steg 24.

- 24.** Montera (30) skert med (31) på en skiv i inom 900 mm från avfallskvarnen och ett eluttag.
- 25.** Fäst (23) på undersidan av (30).  
Anslut (30) till eluttaget.

## Kontrollera om det finns läckage

- 26.1** För att testa för läckage, för in (3) i (4), tryck jämnt ned till den snäppspåsen. För in (1) i vasköppningen, fyll med vatten, ta bort (1) för att dr ner och titta sedan under vasken för att se om det finns något läckage. teranslut strömmen vid krets brytaren eller elsk pet.

## Kontrollera om det finns läckage/drift (Alba-propp)\*

- 26.2** För att testa för läckage, för in (3) i (4), tryck jämnt ned tills den snäppspåsen. För in (2) i vasköppningen, fyll vasken med vatten, lyft upp (2) för att öppna och dr ner. Titta sedan under vasken för att se om det finns något läckage. teranslut strömmen vid krets brytaren eller elsk pet.

För att använda avfallskvarnen med Alba-proppen, för jämsamt ned matavfall i kvarnen och positionera (2) i upprätt läge (vilket låter vatten rinna igenom) för att minimera ovasen och förhindra att material kastas ut under malningen.

After att malningen har avslutats, stäng av kvarnen och spola med vatten några sekunder så att avloppet sköljs rent. (2) fungerar även som en vaskpropp i det nedre läget.

# VIKTIGA SÄKERHETSANVISNINGAR

## ANVISNINGAR OM BRANDRISK, ELEKTRISKA STÖTAR, PERSONSKADOR ELLER SKADOR PÅ EGENDOM

### JORDNINGSANVISNINGAR

För alla jordade, kabelanslutna avfallskvarnar:  
Denna avfallskvarn måste jordas för att minska risken för elchock i fall av en defekt eller ett haveri. Jordning ger en värdig med minsta motstånd för den elektriska strömmen. InSinkErator EZ Connect-elkabeln måste användas. Kontakten måste anslutas till ett uttag som är korrekt installerat och jordat i enlighet med alla lokala regler och förordningar.

### ⚠ VARNING

Felaktig anslutning av ledaren som jordar utrustning kan leda till en risk för elektrisk chock. Råd gör med en kvalificerad elektriker eller servicetekniker om du är osäker på om avfallskvarnen är korrekt jordad. Om EZ Connect-elkabeln som medföljer inte passar i eluttaget ska du inte modifiera kontakten eller försöka tvinga in kontakten i uttaget. Be en kvalificerad elektriker att installera ett korrekt uttag.

- Denna avfallskvarn måste vara korrekt jordad.
- Anslut inte jordningsledningen till gasförsörjningsledningen.
- Stäng av strömmen innan du installerar eller underhåller avfallskvarnen.
- EZ Connect-elkabeln måste anslutas till ett jordat uttag med 3 hål.
- Alla ledningar måste uppfylla lokala regler för elektricitet.
- Om teranslut inte elektrisk ström vid huvudservicepanelen förrän korrekt jordning har installerats.

### OBS!

- Använd inte silikon tving på någon anslutning på kvarnen förutom vaskflöden. Använd inte gånget tvingar. Dessa kan skada kvarnen och orsaka skada på egendom.
- För modeller som har Anti-Vibration Tailpipe Mount™, ogiltiggör underlåttenhet att använda den medföljande fjäderslangklämman garantin.
- För att korrekt dränera och förebygga ständigt vatten i kvarnen när du använder ett rakt avloppsrör måste röranslutningen på den motsatta sidan av kvarnens utlopp vara låg, inte högre, än kvarnens utlopp.

**⚠ VARNING**-När du använder elektriska apparater ska grundläggande försiktighetsåtgärder alltid följas, inklusive:

- Läs alla anvisningar innan du använder apparaten.
- För att minska risken för skada krävs noggrann övervakning när apparaten används nära barn.
- För inte ned fingrar eller händer i avfallskvarnen.
- Stt strömbrytaren i avloppet innan du försöker rensa ett blockage eller ta bort ett föremål från avfallskvarnen.
- När du försöker lossa på ett blockage i en avfallskvarn ska du använda vridverktyg.
- När du försöker ta bort föremål från en avfallskvarn ska du använda en tång med långa handtag.
- För inte ned följande i en avfallskvarn: mussel- eller ostronskal, alkaliska avloppsrengöringsmedel eller liknande produkter, glas, porslin eller plast, metall (som kapsylor, stålklor, aluminiumburkar eller bestick), het olja eller andra heta vätskor.
- När avfallskvarnen rengör, låt muna vaskproppen på plats för att minska risken för att föremål faller ned i kvarnen.
- Denna produkt är utformad för att avlägsna normalt matavfall. Om andra material än matavfall förs ned i avfallskvarnen kan det leda till personskada och/eller skada på egendom.
- För inte ned följande i kvarnen: malarfärg, lösningsmedel, hushållsrengöringsmedel och kemikalier, fordonsvätskor, plastomslag.
- BRANDFARA: Förvara inte brandfarliga föremål såsom trasor, papper eller aerosolburkar nära kvarnen. Förvara inte bensin eller andra brandfarliga ämnen och vätskor i närheten av kvarnen.
- FARA FÖR LÖSLIGHET: Du ska regelbundet inspektera kvarnen och alla rör för löslighet, vilket kan orsaka skada på egendom och skulle kunna leda till personskada.

### BRUKSANVISNINGAR\* (SPARA DESSA ANVISNINGAR)

1. Avlägsna proppen från vasköppningen och spola med kallt vatten.
2. Stäng på kvarnen.
3. För sakta ned matavfall i kvarnen.
4. Efter att malningen har slutförts stänger du av kvarnen och spolar med vatten i 10-15 sekunder så att avloppet sköljs rent.

### ANVISNINGAR OM BRANDRISK, ELEKTRISKA STÖTAR, PERSONSKADOR ELLER SKADOR PÅ EGENDOM



## GÖR SÅHÄR...

- Spola först med kallt vatten och sedan på kvarnen. Fortsätt att spola med kallt vatten i flera sekunder efter att malningen är slutförd, för att spola rent avloppet.
- Mal hårda material som smör, fruktkärnor och is. Partiklarna har en skurande effekt inuti malningskammaren.
- Mal skal från citrusfrukter för att frigöra upp avloppsluker.
- Använd ett rengöringsmedel, avfettningsmedel eller deodorant för avfallskvarnar för att avlägsna oönskade lukter orsakade av fettansamling.

### OBS!

Om man inte spolat kvarnen ordentligt kan det leda till skada på kvarnen och/eller skada på egendom.

## GÖR INTE SÅHÄR...

- Häll inte ned olja eller fett i kvarnen eller i något avlopp. Det kan ansamlas i rören och orsaka blockage i avloppet. Häll fett i en burk och släng i soporna.
  - Använd inte varmt vatten när du maler matavfall. Det är OK att spola varmt vatten in i kvarnen mellan malningsperioder.
  - Fyll inte kvarnen med en stor mängd grönsaksskal på en gång. Istället bör du först ställa på vattnet och kvarnen och mata ned skalen lite i taget.\*
  - Mal inte stora mängder gäsgskal eller fibrösa material som majsskal, kronrättskockor, osv. för att undvika möjligt blockage av avloppet.
  - Stäng inte av kvarnen förrän malningen har avslutats och du bara hör ljudet av motorn och vattnet.
- \*Cover Control-användare ska se bruksanvisningen för Cover Control.

## BRUKSANVISNINGAR FÖR ANVÄNDARUNDERHÅLL

### RENGÖRING AV KVARNEN

Med tiden kan matpartiklar ansamlas i malningskvarnen och skyddet. En lukt från kvarnen är oftast ett tecken på att mat har ansamlats.

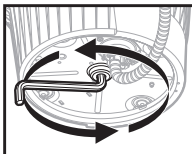
### För att rengöra kvarnen:

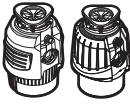
1. Placera vaskproppen i vasköppningen och fyll vasken halvfull med varmt vatten.
2. Blanda en lösning av natriumbikarbonat och vatten. Ställ på kvarnen och ta bort proppen från vasken på samma gång för att spola bort lösta partiklar.
3. Ta bort vasskyddet och rengör för hand eller i en diskmaskin. Använd inte kvarnen om inte vasskyddet är på plats.

### TA BORT KVARNBLOCKAGE

Om motorn stannar medan kvarnen är igång är det möjligt att kvarnen är blockerad. För att avlägsna blockaget:

1. Stäng av kvarnen och vattnet.
2. För in en nyckel eller vridverktyg i mitten let på undersidan av kvarnen. För vridverktyget fram och bak tills det har rört sig ett helt varv. Ta bort vridverktyget.
3. För ned en tång i kvarnen och ta bort föremål/föremål.

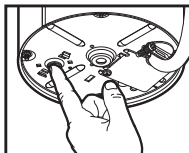


- 4.1  Kvarnen är utrustad med en automatisk överbelastningsbrytare. Låt kvarnen svalna i upp till 20 minuter innan du sätter på den igen. (Om motorn fortfarande inte fungerar ska du kontrollera servicepanelen för utlösta krets brytare eller en utlöst propp.)

4.2



Låt kvarnmotorn svalna i 3-5 minuter och tryck sedan på den röda återställningsknappen på kvarnens undersida. (Om motorn fortfarande inte fungerar ska du kontrollera servicepanelen för utlösta krets brytare eller en utlöst propp.)



## Garantiinformation (Garanti period i år\*)

Garantin avgörs av enhetens serienummer och installationsdatumet. Kvitto på köp eller installation kan krävas för att bekräfta garantistatusen.

Registrera din produkt på <http://www.insinkerator-worldwide.com> för att se om du kvalificerar dig för ett utökat erbjudande. Garanti perioden varierar beroende på marknad.

### SERVICE

Om service krävs, kontakta ett auktoriserat InSinkEratör-servicecenter eller din återförsäljare. Garantin upphör att gälla om du tar bort kvarnen efter installation och försöker att reparera den eller om kvarnen används för kommersiella ändamål.

Modell och tidsram för garanti listas i schemat nedan.

Modell	EU	MX	BZ	Korea	Indien
S460 SR/EC/RC	2	2	2		
Premium 550 SR	3	3	3	3	3
Premium 700 SR	4	4	4		
Evolution Plus 750 SR	5	5	5	5	5
Evolution Plus 1000 SR	6	6	6	6	
Premium 550 EC	2				
Premium 700 EC	2				
Evolution Plus 750 EC	3				
Evolution Plus 1000 EC	4				
Premium 550 RC	2				
Premium 700 RC	3				
Evolution Plus 750 RC	4				
Evolution Plus 1000 RC	5				

# Matavfallskvern

Monteringsveiledning



Skann QR-kode for å se monteringsvideo.

©2023 Med enerett.

## Dimensjoner

For avløpsrør med bend

\*Avstand fra bunnen av vasken til senterlinjen på kvernens utløp. Legg til 12,7 mm hvis vasken er i rustfritt stål.

\*\*Lengden på bakre rørdel fra senterlinjen på kvernens utløp til enden av bakre rørdel.

\*\*\*Avstanden fra bunnen av vasken til kvernrøret må være minst 20 cm til 30 cm.

Merk: For dimensjonene på Cover Control-modellen - se Cover Control

## Verktøy og materialer som trengs (ikke inkludert)



## Inkluderer

- |                        |                                   |                               |  |
|------------------------|-----------------------------------|-------------------------------|--|
| 1. Stopper/plugg       | 10. 28,6 mm skruer                | 17. Antivibrerende Y-rørfeste | 25. Trykknapp (3 typer følger med)             |
| 2. Alba-stopper/plugg* | 11. Sprengring                    | 18. Fj rklekke                | 26. Gjengeenhet                                |
| 3. Trakt               | 12. Nedre monteringsring          | 19. Nøkkelvektø               | 27. Gummipakning                               |
| 4. Flens               | 13. Inntakspugg for oppvaskmaskin | 20. Bolter                    | 28. Skive i rustfritt st l***                  |
| 5. Gummipakning*       | 14. Y-rørpakning                  | 21. Jordingskrue              | 29. Plastmutter                                |
| 6. Fiberpakning*       | 15. Flens                         | 22. EZ Connect-strømledning   | 30. Luftbryter med strømledning med 3 ledere** |
| 7. Støtteflens         | 16. Y-rør                         | 23. Luftslange**              | 31. 19 mm skruer**                             |
| 8. Monteringsring      |                                   | 24. Ring (3 typer følger med) |  |
| 9. 38,1 mm skruer      |                                   |                               |  |

\*Kun spesifikke modeller

\*\*Følger med Next Gen-modeller

\*\*\*Den ekstra skiven i rustfritt stål brukes til vasker med større hull enn 33 mm

## \*⚠\* Sikkerhetsinformasjon

- FARE** angir en farlig situasjon som fører til død eller alvorlig skade hvis den ikke unngås.
- ADVARSEL** angir en farlig situasjon som kan føre til død eller alvorlig skade hvis den ikke unngås.
- FORSIKTIG** angir en farlig situasjon som kan føre til mindre eller moderate skader hvis den ikke unngås.
- MERK** brukes til praksiser som ikke har med personskade å gjøre.
- SIKKERHETS-INSTRUKSJONER** (eller tilsvarende) tegn angir spesifikke sikkerhetsrelaterte instruksjoner eller prosedyrer.

**ADVARSEL** Les disse instruksjonene nøye. Hvis instruksjonene for montering, betjening og brukervedlikehold ikke følges, kan det føre til personskade, vannlekkasje eller skade på eiendom.

**ADVARSEL OM STØTFARE**  
Strømmen må slås av via sikringskapet før montering.

- MERK**
- **Risiko for skade på eiendom.** Ikke bruk silikontetning på noen av kvernas overganger bortsett fra på vaskens flens. Ikke bruk gjengetettere.
- **Risiko for skade på eiendom.** Hvis det skal kobles til en oppvaskmaskin, MÅ inntakspuggen for oppvaskmaskin fjernes, ellers kan vannet fra oppvaskmaskinen lekke ut. Se trinnene 11 eller 16.

## Fjern eksisterende kvern

Hvis du skal bytte ut en eksisterende kvern, g videre til trinn 1.

Hvis det ikke finnes en eksisterende kvern, sl av strømmen i sikringsskapet, koble fra vaskens avløp, og g videre til trinn 8.

1. Sl av strømmen i sikringsskapet. Koble vannl sen fra røret til kverna. Koble fra oppvaskmaskinen hvis den er koblet til kverna.
2. Støtt kverna, sett inn enden p (19) i høyre side av festet, og vri. Kverna faller fritt.

### ⚠ ADVARSEL OM FALLFARE

3. Trekk ut ledningen og fjern enheten. Eksisterende strømledning skal ikke brukes p nytt. InSinkErator EZ Connect-strømledningen skal brukes. G videre til trinn 4.

## Fjerne festet til vasken

4. Hvis festene til den nye kverna er like, kan du hoppe videre til trinn 11.  
**Merk:** Hvis vasken er tykkere enn 9,5 mm, må du bytte ut de eksisterende 38,1 mm skruene (9) med 28,6 mm skruer (10). Se trinn 11.  
Bruk en flat skrutrekker til løsne de 3 skruene p festeanordningen.
5. Bruk en flat skrutrekker til vippe av (11).
6. Fjern flensen fra vasken. Fjern den gamle pakningen eller gammelt kitt fra vasken med en egnet kniv.

## Monter flensen

- 7.1 **For modeller med gummipakning:**  
Plasser (4) over (5\*) og plasser den godt mot vaskens bunnhull.

### MERK

**Skade på eiendom.** Risiko for vannlekkasje p lang/kort sikt hvis monteringen ikke gjøres riktig.

\*Kun spesifikke modeller.

- 7.2 **For modeller uten gummipakning:**  
P før et jevnt lag med silikon rundt (4).  
Trykk (4) godt mot vaskens avløp.

### MERK

**Skade på eiendom.** Risiko for vannlekkasje p lang/kort sikt hvis monteringen ikke gjøres riktig.

## Fest monteringsenheten

8. Plasser en vekt, for eksempel kverna, p vaskens flens for holde den p plass. Bruk et h ndkle for unng ripe opp vasken.
9. Sett inn (6), (7) og (8). Hold p plass mens du setter inn (11).  
Trekk (11) pen og trykk bestemt helt til den klikker p plass.

10. Trekk til (9) jevnt og godt mot støtteflensen. Bruk (10) hvis vasken er mer enn 9,5 mm tykk.

Hvis vasken er tykkere enn 19 mm, kreves det en forlenget flens (FLG-SSLG) som selges separat.



For **S460-modellen** ved bruk av oppvaskmaskin kan du g til trinn 11.

For **S460-modellen** UTEN tilkobling av oppvaskmaskin kan du hoppe til trinn 12.

## Fjerning av inntaksplogg for oppvaskmaskin (S460-modellen)

**VIKTIG: Kun tilkobling av oppvaskmaskin**

### MERK

Hvis oppvaskmaskinen kobles til uten at inntaksplogen fjernes, kan vannet fra oppvaskmaskinen lekke ut.

11. Hvis det skal kobles til en oppvaskmaskin, m inntaksplogen for oppvaskmaskin fjernes.

### MERK

Inntaksplogen for oppvaskmaskin kan ikke erstattes etter at den er fjernet. Legg kverna p siden og sl ut avløpspluggen med en skrutrekker. Fjern pluggen fra innsiden av kverna med en tang.

## Koble luftslangen til kverna (S460-modellen)

12. Skyv den ene enden av luftslangen (23) over luftbrytertuten som befinner seg p undersiden av kverna. G til trinn 15.1 eller 15.2.



**Montering av Cover Control-tilbehøret: G til Monteringsveiledning for Cover Control og fullfør monteringen.** Etter at Cover Control er montert, g til trinn 15.1 eller 15.2 for fullføre monteringen av kverna.

**Merk:** Cover Control er ikke tilgjengelig i alle markeder.



For **alle modeller bortsett fra S460: G** til trinn 13.

## Koble til strømforsyningen (Next Gen-modeller)

### ⚠ FORSIKTIG

Hvis EZ Connect-ledningen ikke følger med kverna, m den kjøpes separat. Ikke bruk en gammel strømledning p nytt.

13. Fjern (21) fra bunnen av kverna.  
Sett inn (22) i pningen p bunnen av kverna.  
Trykk (22) fremover for koble strømmen til kverna.
14. Monter og trekk til (21) gjennom (22) og inn i bunnen av kverna.

## Montering av Y-rør



Fortsett instruksjonene **HER** hvis du har montert **Cover Control-tilbehøret**.

- 15.1** For de fleste modeller (de med komponentene 14, 15 og 16):  
Sett (14) inn i kvernas utløp. Fest (15, 16) med (20).
- 15.2** For modeller med antivibrerende bakre rørfeste (de med komponentene 16, 17 og 18):  
Sett (17) inn i kvernas utløp. Fest (17) med (20). Sett (16) inn i (17) og fest med (18).

## Fjerning av inntaksplass for oppvaskmaskin

(Alle modeller unntatt S460)  
VIKTIG: Kun tilkobling av oppvaskmaskin

- 16.** Sett (19) inn i (13) og vri 90 mot klokka for fjerne.

## Koble kverna til monteringsenheten

- 17.** Løft kverna fra bunnen og heng den opp ved innrette de 3 monteringsflikene p (12) mot innskyvingsrampene p (8) og vri kverna litt mot klokka.

### ⚠ ADVARSEL

Ikke ha hodet eller kroppen under kverna, for enheten kan falle av ved fjerning eller montering.

### MERK

**Skade på eiendom:** Risiko for vannlekkasje p lang/kort sikt hvis ikke alle tre monteringsflikene er riktig posisjonert p alle innskyvingsrampene og l st p plass forbi kantene.

- 18.** Bruk (19) og skru (12) frem til alle 3 monteringsflikene l ses over kantene p innskyvingsrampene. Roter kverna for innrette røret.
- 19.** Fjern den avtagbare delen av spesifikasjonsetiketten og plasser den p et synlig sted.

**Skann QR-koden på spesifikasjonsetiketten for å registrere produktet og få mer informasjon om det.**

## Koble kverna til rørsystemet

- 20.** Koble p rørene igjen (og tilkoblingen til oppvaskmaskinen hvis den brukes).

### MERK

**Skade på eiendom:** Risiko for vannlekkasje hvis monteringen ikke gjøres riktig.

For redusere faren for lekkasjer m avløpsrøret ha riktig helning (ikke mindre enn 6,4 mm helning per 0,3 m med rør) fra kverna til avløpstilkoblingen, der avløpstilkoblingen er lavere plassert en utløpet fra kverna. Hvis dette ikke følges, kan det føre til tidlig rust eller lekkasjer fordi det blir liggende igjen vann i kverna.

For kverner som har Anti-Vibration Tailpipe Mount™ (antivibrerende bakre rørfeste), må man passe på at rørfestet ikke står i spenn. Du m kanskje tilpasse røret for at det skal passe.

## Sluttmontering

- 21.** Hvis du ønsker en annen avslutning:  
Vri (24) mot klokka for fjerne eksisterende avslutning (24) og (25) fra (26).  
Monter en annen avslutning (24) og (25) p (26) ved vri (24) med klokka for feste.
- 22.** Fest (24, 25, 26) enheten gjennom et standardhull i vasken.  
ELLER  
Fest (24, 25, 26) enheten gjennom benkeplata ved bore et hull med 33 mm i diameter. Plasser (27) mellom (24, 25, 26) enheten og toppen av kjøkkenbenken. Trekk til (29) under kjøkkenbenken for f det vannrett.  
**\*\* Den ekstra (28) brukes til vasker med større åpning enn 33 mm i diameter. Plasser den mellom kjøkkenbenken og (27).**
- 23.** Sett inn den gjenværende enden av (22) Next Gen-modellen eller (23) S460-modellen i bunnen av (26).  
S460-modellen m plugges i et vegguttak.



For alle modeller bortsett fra S460: G til trinn 24.

- 24.** Fest (30) sikkert med (31) p en skapvegg innenfor 900 mm avstand til kverna og stikkkontakten.
- 25.** Fest (23) til bunnen av (30).  
Plugg (30) i stikkkontakten.

## Se etter lekkasjer

- 26.1** For teste om det er lekkasjer, sett (3) inn i (4), trykk jevnt ned til den klikker p plass. Sett (1) inn i vaskens bunnhull, fyll vasken med vann, fjern (1) for tappe ut, og se deretter under vasken om det er vannlekkasje. Sl p strømmen igjen i sikringsskapet.

## Se etter lekkasjer / bruk (Alba-stopper)\*

- 26.2** For teste om det er lekkasjer, sett (3) inn i (4), trykk jevnt ned til den klikker p plass. Sett (2) inn i vaskens bunnhull, fyll vasken med vann, løft opp (2) for pne og tappe ut. Se deretter under vasken om det er vannlekkasje. Sl p strømmen igjen i sikringsskapet.

For bruke kverna med en Alba-stopper m du legge matavfall sakte inn i kverna og plassere (2) i st ende posisjon (slik at vann kan renne gjennom) for redusere støy og mulig utkast av materialer ved kverning.

Etter at kverningen er ferdig, m du sl av kverna og la vannet renne noen sekunder for skylle avløpet. (2) fungerer også som stopper n r den trykkes ned.

## VIKTIGE SIKKERHETSINSTRUKSJONER

### INSTRUKSJONER SOM GJELDER RISIKO FOR BRANN, ELEKTRISK STØT, PERSONSKADE ELLER SKADE PÅ EIENDOM

#### INSTRUKSJONER FOR JORDING

For alle jordede kverner som er koblet til med ledning: Denne kverna må jordes for å redusere risikoen for elektrisk støt ved feil eller skade. Jording gir strømmen en bane den kan følge uten motstand. Bruk av InSinkErator EZ Connect-strømledningen er obligatorisk. Støpselet må settes inn i en stikkontakt som er riktig montert og jordet i samsvar med alle lokale forskrifter og regler.


#### ADVARSEL

Feil tilkobling av jordlederen på utstyret kan føre til risiko for elektrisk støt. Ta kontakt med en kvalifisert elektriker eller serviceperson hvis du er i tvil om kverna er jordet riktig. Hvis EZ Connect-strømledningen som følger med, ikke passer i stikkontakten, skal du ikke modifisere støpselet eller prøve å tvinge det inn i stikkontakten. Følg en kvalifisert elektriker til å montere riktig stikkontakt.

- Denne kverna må være riktig jordet.
- Ikke fest jordlederen til en gassforsyningslinje.
- Koble fra strømmen før montering eller service på kverna.
- EZ Connect-strømledningen må settes inn i en jordet stikkontakt med 3 ledere.
- Alle elektriske koblinger må overholde lokale el-standards.
- Ikke slipp strømmen på hovedtavla igjen før jordingen er riktig montert.

#### MERK

- Ikke bruk silikontetning på noen andre overganger på kverna enn vaskens flens. Ikke bruk gjengetettere. Disse kan skade kverna og føre til skade på eiendom.
- For modeller som er utstyrt med Anti-Vibration Tailpipe Mount™ (antivibrerende bakre rørfeste), ugyldiggjøres garantien ved manglende bruk av den fjærbelastede slangeklemmen.
- For ordentlig avtapping og for å unngå at vann blir stående i kverna ved bruk av rett rør, må rørtilkoblingen motsatt av kvernørret være lavere, ikke høyere, enn kvernørret.

 **ADVARSEL:** Ved bruk av elektriske apparater skal grunnleggende forholdregler alltid følges, deriblant:

- Les alle instruksjoner før apparatet brukes.
- For å redusere risikoen for skade kreves det godt tilsyn når et apparat brukes i nærheten av barn.
- Ikke putt fingre eller hender i kverna.
- Sett strømbryteren i av-posisjon før du prøver å fjerne en propp eller noe som har satt seg fast i kverna.
- Bruk nøkkelverktøyet når du skal prøve å løsne en propp i kverna.
- Bruk en lang tang når du skal prøve å fjerne noe som har satt seg fast i kverna.
- Ikke legg noe av dette i kverna: kamskjell eller østers, etsende avløpsrensere eller lignende produkter, glass, porselen eller plast, metall (for eksempel korker, stålkluter, blikkbokser eller redskaper), varmt fett eller andre varme væsker.
- Når du ikke bruker kverna, skal stopperen sitte på plass, slik at du reduserer risikoen for at noe faller ned i kverna.
- Dette produktet er laget for å kverne normalt matavfall fra husholdninger, selv hvis andre ting enn mat legges i kverna, kan det føre til personskade og/eller skade på eiendom.
- Ikke legg noe av dette i kverna: maling, løsemidler, rengjøringsmidler og kjemikalier, vesker til bilbruk, plastfolie.
- BRANNFARE: Ikke oppbevar brennbare ting som kluter, papir og spraybokser i nærheten av kverna. Ikke oppbevar eller bruk bensin eller annen type lettantennelig damp eller væsker i nærheten av kverna.
- LEKKASJEFARE: Inspiser kverna og rørkoblingene regelmessig for lekkasje, ettersom lekkasje kan føre til skade på eiendom eller personskade.

#### INSTRUKSJONER FOR BRUK\* (TA VARE PÅ DISSE INSTRUKSJONENE)

1. Fjern stopperen fra vaskens bunnhull, og la det renne kaldt vann.
2. Slipp kverna.
3. Legg matavfall sakte inn i kverna.
4. Etter at kverningen er ferdig, må du slipp av kverna og la vannet renne i 10-15 sekunder for å skylle avløpet.

#### INSTRUKSJONER SOM GJELDER RISIKO FOR BRANN, ELEKTRISK STØT, PERSONSKADE ELLER SKADE PÅ EIENDOM



## GJØR DETTE ...

- pne først for rennende kaldt vann, og sl deretter p kverna. Fortsett la kaldt vann renne i flere sekunder etter at kverningen er ferdig, for skylle avløpet.
- Kvern harde materialer som sm ben, fruktsteiner og isbiter. Partiklene inni kvernekammeret bidrar til utskylning.
- Kvern skall fra sitrusfrukter for friske opp lukten fra avløpet.
- Bruk et rensmiddel, en avfetter eller luktfjerner som er laget for kverna, for hindre at fettdannelse fører til vond lukt.

## MERK

Hvis kverna ikke skylles ordentlig ut, kan det føre til skade p kverna og/eller skade p eiendom.

## IKKE GJØR DETTE ...

- Ikke hell noe slags fett ned i kverna eller et avløp. Det kan bygge seg opp i avløpet og føre til blokkeringer. Ha fett i en krukke eller boks og kast det i søpla.
- Ikke bruk varmt vann n r du kverner matavfall. Det er OK ha varmt vann i kverna n r den ikke brukes til kverning.
- Ikke fyll kverna med masse grønnsaksavfall p en gang. Sl heller p b de rennende vann og kverna først, og ha deretter i avfallet gradvis.\*
- Ikke kvern store mengder eggskall eller fiberaktig materiale som maiskolber, artisjokker o.l., for forebygge at avløpet blir blokkert.
- Ikke sl av kverna før kverningen er ferdig, og du da bare hører lyden av motoren og vannet.

\*Cover Control-brukere bør se i instruksjonsboken for Cover Control.

## INSTRUKSJONER FOR BRUKERVEDLIKEHOLD

### RENGJØRING AV KVERNA

Over tid kan det bygge seg opp matpartikler i kvernekammeret og trakten. Lukt fra kverna er vanligvis et tegn p at matrester har bygd seg opp.

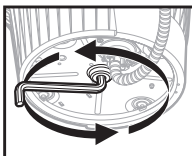
### Slik rengjøres kverna:

1. Plasser stopperen i vaskens bunnhull, og fyll vasken halvveis opp med varmt vann.
2. Bland inn bakepulver i vannet. Sl p kverna og ta ut stopperen fra vasken samtidig for skylle unna løse partikler.
3. Ta ut trakten og rengjør den for h nd eller i oppvaskmaskinen. Ikke bruk kverna uten at trakten er p plass.

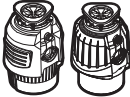
### FJERNE PROPPER I KVERNA

Hvis motoren stopper mens kverna kjører, kan det skyldes en propp. Slik fjernes proppen:

1. Sl av kverna og vannet.
2. Sett inn den ene enden av nøkkelverktøyet i senterhullet nederst p kverna. Vri nøkkelverktøyet frem og tilbake helt til det kan vris en hel runde. Ta ut nøkkelverktøyet.



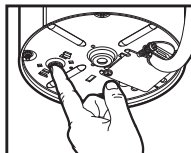
3. Bruk en tang for fjerne proppen fra kverna.

- 4.1  Kverna har en automatisk overbelastningsbryter. La kverna kjøre seg ned i opptil 20 minutter før du sl r den p igjen. (Hvis motoren fortsatt ikke fungerer, sjekk sikringskapet for se om sikringen har g tt).

4.2



La kvernas motor kjøre seg ned i 3 5 minutter, og trykk deretter lett p den røde tilbakestillingsknappen nederst p kverna. (Hvis motoren fortsatt ikke fungerer, sjekk sikringskapet for se om sikringen har g tt.)



## Garantiinformasjon (Garantiperiode i år\*)

Garantien bestemmes av enhetens serienummer og monteringsdatoen. Det kan v re nødvendig med kjøps- eller monteringskvittering for bekrefte garantistatus.

Registrer produktet p <http://www.insinkerator-worldwide.com> for se om du er kvalifisert for et utvidet tilbud.

Garantiperioden varierer fra marked til marked.

### SERVICE

Hvis det er nødvendig med service, bør du kontakte et autorisert InSinkErator-servicenter eller forhandleren din. Garantien blir ugyldig hvis du tar ut kverna etter montering og prøver reparere den, eller hvis kverna brukes til kommersielle form l.

Modell og tidsramme for antall rs garanti er oppgitt i diagrammet under.

Modell	EU	MX	BZ	Koreansk	India
S460 SR/EC/RC	2	2	2		
Premium 550 SR	3	3	3	3	3
Premium 700 SR	4	4	4		
Evolution Plus 750 SR	5	5	5	5	5
Evolution Plus 1000 SR	6	6	6	6	
Premium 550 EC	2				
Premium 700 EC	2				
Evolution Plus 750 EC	3				
Evolution Plus 1000 EC	4				
Premium 550 RC	2				
Premium 700 RC	3				
Evolution Plus 750 RC	4				
Evolution Plus 1000 RC	5				

# Drti e potravinového odpadu

Pokyny k instalaci

in sink erator



Naskenujte si QR kód pro zobrazení instalačního videa.

©2023 Všechna práva vyhrazena.

## Rozměry

Pro zakázanou výbojku

\*Vzdálenost od dna dle ezu ke středové ose výstupu drtiče. Pá idejte 12,7 mm, pokud použijete nerezovou dle ezu.

\*\*Délka koncove trubky od středové osy výstupu z drtiče ke konci koncove trubky.

\*\*\*Vzdálenost mezi dnem dle ezu a odpadním potrubím musí být minimálně 20 a 30 cm.

Poznámka: Rozměry modelu Cover Control viz Cover Control



## Nástroje a potřebné materiály (nejsou součástí dodávky)

### Součástí dodávky

- |                              |                              |   |   |
|------------------------------|------------------------------|---|---|
| 1. Zátka                     | 9. roury 38,1 mm             | 17. Antivibrační držák rozbovací trubky | 25. Tlačítko (3 povrchové úpravy)                     |
| 2. Zátka Alba*               | 10. roury 28,6 mm            | 18. Pružinová svorka                    | 26. Tloušťka vítem                                    |
| 3. Pevná dle ezu             | 11. Pojistný krouček         | 19. Klíč                                | 27. Pryžovité snímky                                  |
| 4. Píruha dle ezu            | 12. Dolní montážní krouček   | 20. roury                               | 28. Nerezová podložka***                              |
| 5. Pryžovité snímky dle ezu* | 13. Zlepka vstupu myčky nábí | 21. Zemnicí roub                        | 29. Plastová matice                                   |
| 6. Fíbrové snímky            | 14. Plochý snímky            | 22. Napjecí kabel EZ Connect            | 30. Vzduchový spínač s tloušťkovým napjecím kabelem** |
| 7. Oporná píruha             | 15. Píruha                   | 23. Vzduchová trubka**                  | 31. 19mm roury**                                      |
| 8. Montážní krouček          | 16. Rozbovací trubka         | 24. Roubek (3 povrchové úpravy)         |   |

\*Pouze konkrétní modely

\*\*Příloha k modelům nové generace

\*\*\*Volitelná nerezová podložka se používá pro otvory dle ezu v tloušťce 33 mm

## \*⚠\* Informace o bezpečnosti

**⚠ NEBEZPEČÍ** označuje nebezpečnou situaci, kterou budete mít za následek smrt nebo těžké zranění, pokud jí nezabráníte.

**⚠ VÝSTRAHA** označuje nebezpečnou situaci, kterou můžete mít za následek smrt nebo těžké zranění, pokud jí nezabráníte.

**⚠ UPOZORNĚNÍ** upozorňuje na nebezpečnou situaci, kterou můžete mít za následek lehké nebo středně těžké zranění, pokud jí nezabráníte.

**POZNÁMKA** se používá u situací, které nezpůsobí zranění osob.

**BEZPEČNOSTNÍ POKYNY** (nebo ekvivalentní) značí označení konkrétní bezpečnostní pokyny nebo postupy.

**⚠ VÝSTRAHA** Tyto pokyny si pečlivě přečtěte. Nedodržení pokynů pro instalaci, provoz a údržbu může mít za následek zranění osob, únik vody nebo poškození majetku.

**⚠ NEBEZPEČÍ ÚRAZU ELEKTRICKÝM PROUDEM**  
Před zahájením instalace vypněte elektrický napájecí pojistkový skříň.

### POZNÁMKA

- **Riziko poškození majetku.** Nepoužívejte silikonové těsnicí tmel na jiný způsob spojení než na píruhu dle ezu. Nepoužívejte na zvitý těsnicí materiál.
- **Riziko poškození majetku.** Během připojení myčky nábí **MUSÍ** být zátka vstupu myčky nábí odstraněna, jinak může dojít k poškození myčky nábí. Viz kroky 11 nebo 16.

## Demontáž stávajícího drti e

Pokud vym užete stávající drti , pokračujte krokem 1.

Pokud neexistuje žádný stávající drti , vypn te elektrick nap jení na jisti í nebo pojistkov sk íní, odpojte odtok d ez u a p ejd te ke kroku 8.

1. Vypn te elektrick nap jení na jisti í nebo pojistkov sk íní. Odpojte sifon od odpadní vypou t cí trubky. Odpojte my ku n dobí, pokud je k drti í p ípojena.
2. Podep ete drti , vlo te konec (19) do prav strany upev ovacího oka a oto te. Drti sjede sm rem dol .

**▲ VÝSTRAHA: NEBEZPE Í PÁDU**

3. Odpojte kabel, demontujte jednotku. St vající nap jecí kabel nesmí být znovu pou ít. Musí být pou ít nap jecí kabel InSinkErator EZ Connect. P ejd te ke kroku 4.

## Demontáž d ez u

4. **Pokud je nová montážní sestava drti e stejná,** m ete p ejit ke kroku 11.  
Pozn mka: *U d ez siln j ích ne 9,5 mm budete muset nahradít st vající rouby 38,1 mm (9) za rouby 28,6 mm (10).* Viz krok 11.  
Pomocí ploch ho roubov ku povolte 3 rouby na mont ní sestav .
5. Pomocí ploch ho roubov ku p ením uvoln te díl (11).
6. Demontujte p írubu z d ez u. Odstra te star t sn í nebo instalat rský tmel z d ez u vhodným no em.

## Instalace p írubu d ez u

- 7.1 **U model s gumovým t sn ím:**  
Nasa te díl (4) na (5\*) a pevn vlo te do otvoru d ez u.

### POZNÁMKA

**Poškození majetku.** Riziko dlouhodob ho/kr tčodob ho úniku vody, pokud není mont provedena spr vn .

\*Pouze pro konkr tní modely.

- 7.2 **Pro modely bez pryžového t sn í:**  
Rovnom rn naneste housenku silikonov ho t sn í kolem dílu (4).  
Pevn zatla te (4) do d ez u.

### POZNÁMKA

**Poškození majetku.** Riziko dlouhodob ho/kr tčodob ho úniku vody, pokud není mont provedena spr vn .

## Upevn te montážní sestavu

8. Umíst te z va í, nap íklad rti , na p írubu d ez u, abyste ji udr eli na míst . Pou íjte ut rku, abyste se vyhnuli po kr b ní d ez u.
9. Vlo te díly (6), (7) a (8). P í vkl í díl dr te na míst díl (11).  
Vyt hn te díl (11) a pevn zatla te, a zaklapne na místo.
10. Rovnom rn a pevn dot hn te díl (9) proti z lo ní

p írub . Pou íjte díl (10), pokud je d ez siln j í ne 9,5 mm.

Pokud je d ez siln j í ne 19 mm, je vy adov na a prod v na samostatn roz í en p írubu d ez u (FLG-SSLG).

Pro model S460 Pomocí



p ípojení my ky n dobí p ejd te ke kroku 11.

U modelu S460 BEZ P ÍPOJENÍ my ky n dobí, pokrač ujte krokem 12.

## Sejm te záslepku vstupu my ky nádobí (model S460)

**D LEŽITÉ: Pouze p ípojení my ky**

### POZNÁMKA

Pokud je p ípojení my ky provedeno bez sejmutí z slepky vstupu my ky, m e dojt k p ete ení my ky.

11. Pokud p ípojete my ku n dobí, sejm te z slepky vstupu my ky n dobí.

### POZNÁMKA

Z slepky vstupu my ky n dobí nelze vym ít, jakmile je vy azena. Drti oto te na stranu a vyjm te vypou t cí z tku roubov kem. Vyjm te z tku zevnit drti e pomocí kle tí.

## P ípojte vzduchovou trubku k drti í (model S460)

12. Zatla te jeden konec vzduchov trubky (23) p es výtok vzduchov ho spína e, který je umíst n na dolní stran drti e. Pokra ujte krokem 15.1 nebo 15.2.



**Instalace p íslušenství Cover Control:** P ejd te do instala ní p íru ky Cover Control a dokon ete instalaci. Po instalaci Cover Control p ejd te ke kroku 15.1 nebo 15.2 a dokon ete instalaci drti e.

Pozn mka: *Cover Control není k dispozici na v ech tržích.*



**Pro všechny modely krom S460:** P ejd te ke kroku 13.

## P ípojte elektrické napájení (modely nové generace)

### ▲ UPOZORN Í

Pokud kabel EZ Connect není dod v n s drti em, je nutn jej zakoupit zvl . St vající nap jecí kabel nepou ívejte opakovan .

13. Vyjm te díl (21) ze dna drti e.  
Vlo te díl (22) do vý ez u na dn drti e.  
Zatla te díl (22) dop edu, abyste p ípojili nap jení k drti í.
14. Nainstalujte a dot hn te díly (21) skrze (22) a do dolní stí drti e.

## Montáž rozdevojovací trubky



Pokud jste nainstalovali p íslu enství pro Cover Control, p ejd te k pokyn m **ZDE**.

- 15.1** U v tšiny model (se sou ástmi 14, 15 a 16): Vlo te (14) do výstupního výstupu drti e. Zajist te sestavu (15, 16) pomocí dílu (20).
- 15.2** U model s antivibra ním držákem koncové trubky (se sou ástmi 16, 17 a 18): Vlo te (17) do výstupního otvoru drti e. Zajist te (17) pomocí (20). Vlo te (16) do (17) a zajist te (18).

## Demontáž vstupní zátky my ky nádobí (všechny modely krom S460)

**D LEŽITÉ: Pouze p ípojení my ky**

- 16.** Vlo te (19) do (13) a oto te po ítadlo o 90 proti sm ru hodinových ru í ek a vyjm te.

## P ípojení drti e k montážní sestav

- 17.** Zvedn te drti z dolní strany, zav ste drti zarov ním 3 mont ních úchyt na (12) s posuvnými rampami na (8) a lehce oto te drti proti sm ru hodinových ru í ek.

### ⚠ VÝSTRAHA

Neumis ujte svou hlavu nebo t lo pod drti ; jednotka by mohla b hem demont e nebo instalace spadnout.

### POZNÁMKA

**Poškození majetku:** Nebezpe í dlouhodob ho/kr tkodob ho úniku vody, pokud nejsou v echny t í mont ní úchyty spr vn zapojeny na v ech posuvných ramp ch a zaji t ny na míst za výstupy.

- 18.** Pomocí (19) ot ejte (12), dokud v echny 3 mont ní z padky nezapadnou p es výstupy na posuvných ramp ch. Ot ením drti e vyrovnejte vypou t cí trubku.
- 19.** Odnímatelnou st speci lního títku umíst te na viditeln místo.

*Pro registraci produktu a další informace o produktu naskenujte QR kód na specifika ním štítku.*

## P ípojení drti e k potrubí

- 20.** Znovu p ípojte potrubí (a p ípojku my ky n dobí, pokud je pou íta).

### POZNÁMKA

**Poškození majetku:** Riziko úniku vody, pokud není mont provedena spr vn .

Aby se sn ílo riziko net snosti, musí být vypou t cí trubka dn umíst na (nejm n 6,4 mm rozte e na 0,3 metru) od drti e k vypou t cí p ípojce, p í em vypou t cí p ípojka musí být ní e ne výstup drti e. Pokud tak neu íníte, m e to v st k p ed asn korozi nebo úniku v d sledku stojat vody, kter z stala v drti í.

**U drti vybavených držákem Anti-Vibration Tailpipe Mount™ se ujist te, že záv s koncové trubky není ohnutý. Budete muset trubku za íznout, aby spr vn sed la.**

## Záv re ná instalace

- 21.** Pokud d v te p ednost jin povrchov úprav : Oto ením (24) proti sm ru hodinových ru í ek odstra te st vající povrchovou úpravu (24) a (25) z (26). Namontujte jinou povrchovou úpravu (24) a (25) na (26) oto ení (24) po sm ru hodinových ru í ek pro zaji t ní.
- 22.** Namontujte sestavu (24, 25, 26) do standardního otvoru d ezu.
- NEBO
- Namontujte sestavu (24, 25, 26) skrze pracovní desku vyvrt ním otvoru o pr m ru 33 mm. Umíst te (27) mezi sestavu (24, 25, 26) a horní st desky d ezu. Dot hn te (29) pod deskou d ezu, abyste zajistili vodot sn ut sn ní.
- \*\* Voliteln (28) se pou ív pro otvory v d ezech o pr m ru v t ím ne 33 mm. Umíst te jej mezi desku d ezu a (27).**
- 23.** Zasu te zbývající konec (22) modelu Next Gen nebo (23) modelu S460 do dolní sti (26).
- V p ípad modelu S460 zapojte do z suvky.



V p ípad **všech model krom S460:** P ejd te ke kroku 24.

- 24.** Pevn namontujte (30) pomocí (31) na st nu sk ín do vzd leností 900 mm od spot ebi e a elektrick z suvky.
- 25.** P ípevn te (23) ke spodní sti (30). Zapojte (30) do elektrick z suvky.

## Kontrola p ípadných net sností

- 26.1** Chcete-li otestovat t snost, vlo te (3) do (4), rovnom rn zatla te, dokud nezapadne na místo. Vlo te (1) do otvoru d ezu, napl te d ez vodou, vyjm te (1) pro vypu t ní a pot se podívejte pod d ez, zda neunik voda. Pojistkovou sk í nebo sk í jisti e znovu p ípojte k elektrick síti.

## Zkontrolujte chod a p ípadné úniky (zátka Alba)\*

- 26.2** Chcete-li otestovat t snost, vlo te (3) do (4), rovnom rn zatla te, dokud nezapadne na místo. Vlo te (2) do otvoru pro d ez, napl te d ez vodou, zvednutím (2) otev eíte a vypus te. Pot se podívejte pod d ez, zda neunik voda. Pojistkovou sk í nebo sk í jisti e znovu p ípojte k elektrick síti.
- Chcete-li provozovat drti se z tkou Alba, pomalu vkl dejte potravinový odpad do drti e a umíst te jej do polohy (2) vzp ímen (aby byl mo ný pr tok vody), aby se minimalizoval hluk a p ípadn vyhazov ní materi lu p í drcení.
- Po dokon ení drcení vypn te drti a na n kolik sekund proplachujte vodou, abyste vypl chli vypou t cí potrubí. Díl (2) tak plní funkci z tky v dolní poloze.

## D LEŽITÉ BEZPE NOSTNÍ POKYNY

### POKYNY TÝKAJÍCÍ SE NEBEZPE Í POŽÁRU, ÚRAZU ELEKTRICKÝM PROUDEM, ÚRAZU OSOB NEBO POŠKOZENÍ MAJETKU

#### POKYNY K UZEMN ĚNÍ

U všech uzem ěných drtí p ipojených kabelem: Tento drtí musí být uzem ěn, aby se snížilo riziko úrazu elektrickým proudem v p ípad poruchy nebo závady.

Uzem ění poskytuje elektrick mu proudu cestu s nejmén ěm odporem. Vy aduje se pou ítí nap jecího kabelu InSinkErator EZ Connect. Z str ka musí být p ipojena do z suvky, kter je dn instalovan a uzem ěn v souladu se v emi místními pravidly a p edpisy.

#### **⚠ VÝSTRAHA**

Nespr vn p ipojení uzem ovacího vodi e za ízení m ě mít za n sledek nebezpe í úrazu elektrickým proudem. Pokud si nejste jisti, zda je drtí spr vn uzem ěn, obra te se na kvalifikovan ho elektrik e nebo servisního technika. Pokud p ilo ený nap jecí kabel EZ Connect neodpovíd z suvce, z str ku neupravujte ani se ji nepokou ejte zasunout do z suvky po dejte kvalifikovan ho elektrik e o vým nu z suvky.

- Tento drtí musí být dn uzem ěn.
- Nep ipojujte zemnicí kabel k p ívodu plynu.
- P ed instalací nebo údr bou drtí e odpojte nap jení.
- Nap jecí kabel EZ Connect musí být zasunut do uzem ěn z suvky se 3 otvory.
- Ve ker kabel musí být v souladu s místními p edpisy pro elektrickou energii.
- Nep ipojujte elektrický proud na hlavní servisní panel, dokud nejsou nainstalov ny spr vn zemnicí kabely.

#### **POZNÁMKA**

- Nepou ívejte silikonov t snící tmel na jin p ipojení ne na p írubu d ezu. Nepou ívejte na z vity t snící materi l. Ty mohou po kodit drtí a zp sobit kodu na majetku.
- U model vybavených dr kem Anti-Vibration Tailpipe Mount™ zp sobí nepou ítí hadicov svorky s pr uinou neplatnost z ruky.
- Pro dn vypou t ní a zabr ní výskytu stojat vody v drtí i p í pou ítí p ím výstupní trubky musí být p ipojení trubky naproti výstupu z drtí e ní e, nikoli vý e ne je výstup z drtí e.

**⚠ Upozorn ění - P í pou ív ní elektrických spot ebi je t eba v dy dodr ovat z kladní bezpe nostní opat ení, v ot :**

- P ed pou ítím spot ebi e si prostudujte v echny pokyny.
- Aby se sní ilo riziko zran ní, je vy adov n pe lívý dohled, pokud je spot ebi pou ív n v blízkosti d tí.
- Nezasouvejte do drtí e prsty nebo ruce.
- P ed pokusem o uvoln ní zaseknutí nebo odstran ní p edm tu z drtí e p epn te spína nap jení do vypnut polohy.
- P í pokusu o uvoln ní zaseknutí drtí e odpadu pou íjte klí .
- P í odstra ov ní p edm t z drtí e odpadu pou ívejte kle t s dlouhými pi kami.
- Nevkl dejte do drtí e n sledující p edm ty: schr nky, keblí nebo úst íc, írav ístící prost edky nebo podobn výrobky, sklo, porcel n nebo plast, kov (nap íklad uz v ry lahví, ocelov broky, plechovky nebo n dobi), horký tuk nebo jin hork kapaliny.
- Pokud nepou ív te drtí , nechte z tku na míst , aby se sní ilo riziko p du p edm t do drtí e.
- Tento výrobek je ur en k likvidaci b n ho dom cího potravinov ho odpadu; vlo ení jiných materi l ne potravinov ho odpadu do drtí e m e zp sobit zran ní osob a/nebo po kození majetku.
- V drtí e nelikvidujte n sledující p edm ty: barvy, rozpou t dla, ístící prost edky a chemik lie pro dom cnost, automobilov kapaliny, plastov obaly.
- NEBEZPE Í PO RU: Neskladujte ho lav p edm ty, jako jsou hadry, papír nebo aerosolov plechovky v blízkosti drtí e. Neskladujte ani nepou ívejte benzín ani jin ho lav výpary a kapaliny v blízkosti drtí e.
- NEBEZPE Í NIKU: Pravideln kontrolujte t snost drtí e a instalat rských armatur, proto e net snosti mohou zp sobit po kození majetku a v st ke zran ní osob.

#### **NÁVOD K OBSLUZE\*** (USCHOVEJTE TENTO NÁVOD)

1. Odstra te z tku z otvoru d ezu a vypus te studenou vodu.
2. Zapn te drtí .
3. Pomalu vkl dejte potravinový odpad do drtí e.
4. Po dokon ení drcení vypn te drtí a na n kolík sekund proplachujte vodu 10 15 sekund, abyste vypl chli vypou t cí potrubí.

### POKYNY TÝKAJÍCÍ SE NEBEZPE Í POŽÁRU, ÚRAZU ELEKTRICKÝM PROUDEM, ÚRAZU OSOB NEBO POŠKOZENÍ MAJETKU

## CO D LAT...

- Nejprve zapn te studenou vodu a pot zapn te drti . Po dokon ení drčení pokr ujte n kolik sekund vpou t ním tekoucí studen vody, abyste propl chli vypou t cí potrubí.
- Dr te tvrd materi ly, jako jsou mal kosti, ovocn j my a led. Uvnit drtící komory stice mají istící funkci.
- Dr te slupky z citrusových plod , abyste osv ili v ni z odtoku.
- Pou ijte odstra ova ne istot, odma ova nebo deodorant podle pot eby ke zmírn ní nep íjemných pach zp sobených hromad ním mastnoty.

### POZNÁMKA

Pokud nedojde k dn mu propl chnutí drti e, m e dojítk po kození drti e a/nebo majetku.

## CO NED LAT...

- Nelijte mastnotu nebo tuk do drti e nebo jak hokoliv odtoku. Tento materi l se m e hromadít v potrubí a zp sobit ucp ní odtoku. Vlo te tuk do n doby nebo plechovky a vyho te do ko e.
  - P i drčení potravinov ho odpadu nepou ívejte horkou vodu. Je v po dku vypustit horkou vodu do drti e mezi jednotlivými drčeními.
  - Nepl te drti velkým mno stvím rostlinných slupek najednou. Místo toho nejprve zapn te vodu a drti a postupn vkl dejte slupky.\*
  - Nedr te velk mno ství vaje ných sko pek nebo vl knitých materi l , jako jsou kuku í n slupky, arty oky atd., abyste zabr nili mo n mu ucp ní odtoku.
  - Nevypínejte drti , dokud není dokon eno drčení a je slý et pouze zvuk motoru a vody.
- \*U ívatel Cover Control se musí ídit n vodem k pou ítí Cover Control.

## POKYNY PRO ÚDRŽBU PROVÁD NOU UŽIVATELEM

**ÍŠT NÍ DRTI E V pr b hu asu se v drtící komo e a na p epážce mohou hromadít ástice potravin. Zápach z drti e je obvykle známkou hromad ní potravin.**

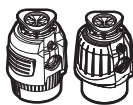
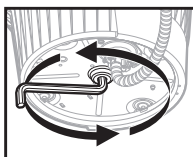
### íšt ní drti e:

1. Umíst te z tku do otvoru pro d ez a napl te d ez do poloviny teplou vodou.
2. Smíchejte roztok jedl sody s vodou. Sou asn zapn te a odstra te z tku z d ez, abyste smyli voln stice.
3. Odstra te p ep ku d ez a vy ist te ji ru n nebo v my ce n dobí. Neprovozujte drti , pokud není na míst p ep ka d ez.

## UVOLN NÍ ZASEKNUTÍ DRTI E

Pokud se motor zastaví, zatímco je drti v chodu, m e být drti zaseknutý. Uvoln ní zaseknutí:

1. Vypn te drti a p ívod vody.
2. Vlo te jeden konec klí e do st edov ho otvoru na dn drti e. Pohybujte klí em tam a zp t, dokud se neot í o jednu celou ot ku. Vyjm te klí .
3. S hn te do drti e pomocí kle tí a odstra te p edm ty.

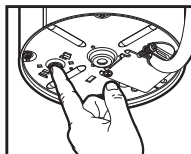


ochranným spína em proti p etí ení. P ed op tovným zapnutím nechte drti vychladnout po dobu a 20 minut. (Pokud motor z st v nefunk ní, zkontrolujte, zda na servisním panelu nejsou vypnut jísti e nebo sp len pojistky.)

## 4.2



Nechte motor drti e vychladnout po dobu 3 5 minut a pot lehce stiskn te červen resetovací tla ítko na dn drti e. (Pokud motor z st v nefunk ní, zkontrolujte, zda na servisním panelu nejsou vypnut jísti e nebo sp len pojistky.)



## Informace o záruce (záru ní doba v rocích\*)

Z ruka se ur uje podle s riov ho ísla jednotky a data instalace. K ov ení z ru ního stavu se m e vy adovat doklad o koupi nebo instalaci.

Zaregistrujte sv j produkt na adrese

<http://www.insinkerator-worldwide.com> a zjist te, zda m te n rok na nabídku prodlou ení z ruky. Z ru ní doba se lí í podle trhu.

## SERVIS

Je-li nutný servis, obra te se na autorizovan servisní st edisko spole nosti InSinkErator nebo na sv ho prodejce. Z ruka zanik , jestli e po instalaci vyjmete drti odpadu a pokusíte se její opravít nebo pokud se drti odpadu pou ív ke komer nímu ú el m.

Model a z ru ní rok jsou uvedeny v tabulce ní e.

Model	EU	MX	BZ	Korea	Indie
S460 SR/EC/RC	2	2	2		
Premium 550 SR	3	3	3	3	3
Premium 700 SR	4	4	4		
Evolution Plus 750 SR	5	5	5	5	5
Evolution Plus 1000 SR	6	6	6	6	
Premium 550 EC	2				
Premium 700 EC	2				
Evolution Plus 750 EC	3				
Evolution Plus 1000 EC	4				
Premium 550 RC	2				
Premium 700 RC	3				
Evolution Plus 750 RC	4				
Evolution Plus 1000 RC	5				

# Yiyecek Atı ı Ö ütücü

## Montaj Talimatlar



Montaj videosunu görüntülemek için QR kodunu tarayın.

©2023 Tüm haklar saklı d r.

## Boyutlar

### Kavisli bo altma borusu için

- \*Lavabonun alt ndan ö ütücü k n n merkez hatt na kadar olan mesafe. Paslanmaz elik lavabolar kullan ld nda 12,7 mm daha ekleyin.
- \*\*Ö ütücü k n n Merkez hatt ndan u borusunun sonuna kadar olan u borusu uzunlu u.
- \*\*\*Lavabo evyesinin alt k sm ile at k borusu aras ndaki mesafe en az 20 cm ila 30 cm olmal d r.

Not: Cover Control Aksesuar Model boyutlar i in bkz. Cover Control Aksesuar

## Gerekli Alet ve Malzemeler (Ürünle Birlikte Verilmez)



## Ürünle Birlikte Verilen Parçalar

1. T pa	9. 38,1 mm Vidalar	17. Titre im Ö nleyici Y Boru	25. Dü me (3 tasar m mevcuttur)
2. Alba T pa*	10. 28,6 mm Vidalar	Montaj Par as	26. Di li Gövde
3. Lavabo S rama	11. Tespit Halkas	18. Yayl Kelep e	27. Kau uk Conta
Korumas	12. Alt Montaj Halkas	19. Alyan anahtar	28. Paslanmaz elik Rondela***
4. Lavabo Flan	13. Bula k Makinesi Giri	20. C vatalar	29. Plastik Somun
5. Lastik Lavabo	Tapas	21. Taban Vidas	30. 3 telli Gü Kablo lu Hava
Contas *	14. Y Boru Contas	22. EZ Connect Gü Kablo su	Anahtar **
6. Fiber Conta*	15. Flan	23. Hava Borusu**	31. 19 mm vidalar**
7. Destek Flan	16. Y Boru	24. er eve (3 tasar m mevcuttur)	
8. Montaj Halkas			

\*Yaln zca belirli modeller

\*\*Yeni Nesil Modellerde mevcuttur

\*\*\*Opsiyonel paslanmaz elik rondela 33 mm'den büyük lavabo delikleri i in kullan l r

## \*! Güvenlik Bilgileri

**TEHL KE** ka n Imamas durumunda ölüm veya ciddi yaralanmayla sonu lanacak tehlikeli bir durumu belirtir.

**UYARI** ka n Imamas durumunda ölüm veya ciddi yaralanmayla sonu lanabilecek tehlikeli bir durumu belirtir.

**DKKAT** ka n Imamas durumunda kü ük veya orta dereceli yaralanmayla sonu lanabilecek tehlikeli bir durumu belirtir.

**BLG** ki sel yaralanmayla ili kili olmayan uygulamalar belirtmek i in kullan l r.

**GÜVENL K TAL MATLARI** (veya e de eri) i aretleri güvenlikle ilgili özel talimatlar veya prosedürleri gösterir.

**UYARI** Bu talimatlar dikkatlice okuyun. Montaj, al t rma ve Kullan c Bak m Talimatlar na uymamak, ki sel yaralanmalara, su s z nt lar na veya maddi hasara sebep olabilir.

**ELEKTR K ÇARPMASI TEHL KES NE L K N UYARI**  
Montaja ba lamadan önce sigorta kutusundan elektrik gücünü kapat n.

### BLG

- **Maddi hasar riski.** Lavabo flan d nda herhangi bir ö ütücü ba lant s nda silikon kullanmay n. Di s zd rmalzeme k malzemesi kullanmay n.
- **Maddi hasar riski.** Bula k makinesi ba lanacaksa bula k makinesi giri tapas **MUTLAKA** kar lmal d r, aksi takdirde bula k makinesinde ta ma meydana gelebilir. Bkz. ad m 11 veya 16.

## Mevcut Ö ütücünün Çıkarılması

Mevcut Ö ütücüyü de i tiyorsan z Adım 1 ile devam edin.

Ö ütücü Mevcut De ilse devre kesici veya sigorta kutusundan elektrik gücünü kapat n, lavabo giderinin bant s n kesin ve Adım 8 ile devam edin.

1. Devre kesiciden veya sigorta kutusundan elektrik gücünü kapat n. Bo altma sifonu ile bo altma borusunun bant s n kesin. Bula k makinesi, ö ütücüyü ba l ysa bu bant y kesin.
2. Ö ütücüyü tutun, (19) numaral par an n ucunu montaj pabucunun sa taraf na yerle tirin ve evirin. Ö ütücü serbest kalacaktır.

### ▲ DÜ ME TEHL KES NE L K N UYARI

3. Gü kablosunu prizden ekin ve üniteyi kar n. Mevcut gü kablosu tekrar kullan l mamal d r. InSinkErator EZ Connect gü kablosu kullan l mal d r. Adım 4 ile devam edin.

## Lavabo Montaj Tertibatının Çıkarılması

4. Yeni ö ütücü montaj tertibatı aynıysa adım 11 ile devam edebilirsiniz.

**Not:** 9,5 mm'den daha kal n lavabolar i in mevcut 38,1 mm vidalar (9) 28,6 mm vidalarla (10) de i tirmeniz gerekir. Bkz. adım 11.

Düz u lu bir tornavida kullanarak montaj tertibat ndaki 3 viday gev etin.

5. Düz u lu bir tornavida kullanarak (11) numaral par ay kald r n.
6. Flan lavabodan kar n. Eski contay veya tesisat macununu macun b a ile lavabodan kar n.

## Lavabo Flan ının Takılması

- 7.1 Lastik conta modeller için:  
(4) numaral par ay (5\*) numaral par a üzerine oturtun ve lavabo deli ine s k ca yerle tirin.

### B LG

**Maddi Hasar:** Düzgün monte edilmemesi hâlinde uzun/k sa süreli su s z nt s riski te kil eder.

\*Yaln zca belirli modeller i in.

- 7.2 Lastik conta bulunmayan modeller için:  
(4) numaral par an n etraf na erit hâlinde e it miktarda silikon uygulay n.  
(4) numaral par ay lavabo giderine s k ca bast r n.

### B LG

**Maddi Hasar:** Düzgün monte edilmemesi hâlinde uzun/k sa süreli su s z nt s riski te kil eder.

## Montaj Tertibatının Takılması

8. Lavabo flan n sabit tutmak i in flan n üzerine a r bir cisim (mesela ö ütücüyü) yerle tirin. Lavaboyu izmemek i in havlu kullan n.
9. (6), (7) ve (8) numaral par alar tak n. (11) numaral par ay takarken sabit tutun.  
(11) numaral par ay ekerek a n ve yerine oturana kadar bast r n.

10. (9) numaral par ay flan a yerle tirerek e it ekilde ve iyice s k n. Lavabo kal nl 9,5 mm'den fazlaysa (10) numaral par ay kullan n.



Lavabo kal nl 19 mm'den fazlaysa Geni letimli Lavabo Flan (FLG-SSLG) gereklidir ve bu par a ayr sat l r.

**S460 Modelinde** bula k makinesi ba lanacaksa ad m 11 ile devam edin.

**S460 Modelinde** bula k makinesi ba lanmayacaksa ad m 12 ile devam edin.

## Bula k Makinesi Giri Tapasının Çıkarılması (S460 Modeli)

ÖNEML : Yalnızca bula k makinesi ba lantısı söz konusuysa

### B LG

Bula k makinesi ba lantı s , bula k makinesi giri tapas kar lmadan yap l rsa bula k makinesinde ta ma meydana gelebilir.

11. Bula k makinesi ba lanacaksa bula k makinesi giri tapas n kar n.

### B LG

Bula k makinesi giri tapas yerinden kar ld ktan sonra yeniden tak lamaz. Ö ütücüyü yan yat r n ve tahliye yapas n tornavidayla yerinden kar n. Tapay ö ütücünün i inden pense kullanarak al n.

## Hava Borusunun Ö ütücüyü Ba lanması (S460 Modeli)

12. (23) numaral hava borusunun bir ucunu ö ütücünün alt taraf nda bulunan hava anahtar n n a z na tak n. Ad m 15.1 veya 15.2 ile devam edin.



**Cover Control Aksesuarının Takılması:**  
Cover Control Aksesuarı Montaj Kilavuzuna ba vurun ve montaj ger ekle tirin. Cover Control Aksesuar monte edildikten sonra ad m 15.1 veya 15.2'yi izleyerek ö ütücü montaj n ger ekle tirin.

**Not:** Cover Control aksesuar her pazarda mevcut de ildir.



**S460 hariç tüm modeller i in:**  
Ad m 13 ile devam edin.

## Güç Kayna ı Ba lantısı (Yeni Nesil Modeller)

### ▲ D KKAT

EZ Connect kablosu, ö ütücüyü birlikte verilmemi se ayr ca sat n al m mal d r. Hâlihaz rda mevcut olan gü kablosunu tekrar kullanmay n.

13. (21) numaral par ay ö ütücünün alt k sm ndan kar n. (22) numaral par ay ö ütücünün alt k sm ndaki devre kesiciye yerle tirin.  
(22) numaral par ay iterek ö ütücünün gü ba lantı s n yap n.
14. (21) numaral par ay (22) numaral par adan ge irerek ö ütücünün alt k sm na tak n ve s k n.

## Y Borusunun Takılması



Cover Control Aksesuarını taktıysanız **Yeniden Birleştirmeye** talimatlar na **BURADAN** ulaşabilirsiniz.

**15.1.** Çoğu model için (14, 15 ve 16 numaralı parçaların bulunduğu):  
(14) numaralı parayı ölütcünün boğaltma kına takın. (15, 16) numaralı tertibat (20) numaralı parayla sabitleyin.

**15.2.** Titreşim önleyici Tailpipe Mount bulunan modeller için (16, 17 ve 18 numaralı parçaların bulunduğu):  
(17) numaralı parayı ölütcünün boğaltma kına takın. (17) numaralı parayı (20) numaralı parayla sabitleyin. (16) numaralı parayı (17) numaralı paraya takıp (18) numaralı parayla sabitleyin.

## Bulağık Makinesi Giriş Tapasının

### Çıkarılması

(S460 hariç tüm modeller)

**ÖNEMLİ :** Yalnızca bulağık makinesi bağlantısı söz konusuydu

**16.** Tapayı karmak için (19) numaralı parayı (13) numaralı parayla yerleştirin ve saat yönünün tersine 90° döndürün.

## Ölütcünün Montaj Tertibatına Bağlanması

**17.** Ölütcüyü alttan kaldırarak (12) numaralı parayı üzerindeki 3 montaj tırnağına (8) numaralı parayı üzerindeki kayar rampalarla hizalayarak ölütcüyü aşağıya ve ölütcüyü hafifçe saat yönünün tersine döndürün.

### ⚠UYARI

karma veya takma sırasında ünitede dürebileceğiniz in bulağık veya vücudunuzun ölütcünün altına olmamasına dikkat edin.

### B LG

**Maddi Hasar:** Üst montaj tırnağına da tüm kayar rampalarla düzgün şekilde takılmaz ve kilitler geçerek ekilde yerine kilitlenmezse uzun/kısa vadeli su sızıntı riski meydana gelebilir.

**18.** (19) numaralı parayı kullanarak 3 montaj tırnağına da kayar rampalardaki kilitleri üzerine oturana kadar (12) numaralı parayı döndürün. Ölütcüyü döndürerek boğaltma borusunu hizalayın.

**19.** Teknik özellik etiketinin karlılabileceği ksmine karlın ve görünür bir konuma yapıştırın.

*Ürün kaydı ve ekstra ürün bilgileri için teknik özellik etiketindeki QR kodunu tarayın.*

## Ölütcünün Tesisata Bağlanması

**20.** Tesisat bağlantısını (ve kullanılıyorsa bulağık makinesi bağlantısını) yeniden yapın.

### B LG

**Maddi Hasar:** Düzgün monte edilmemesi hâlinde su sızıntı riski teşkil eder.

Sızıntı olasılığı azaltmak için, tahliye bağlantısı ölütcü boğaltma borusundan daha altta kalacak şekilde, tahliye hattında ölütcüden tahliye bağlantısına kadar uygun emimsalınmalıdır (0,3 m uzunlukta en az 6,4 mm olacak şekilde). Aksi takdirde ölütcüde kalan su, erken korozyona veya sızıntıya yol açabilir.

**Titreşim Önleyici Tailpipe Mount™ ile donatılmış ölütcülerde Tailpipe Mount'ün bükülmediğinden emin olun.** Düzgün oturması için boruyu kesmenize gerekebilir.

## Son Montaj

**21.** Farklı bir tasarım tercih etmemiz hâlinde: Mevcut tasarımdaki (24) ve (25) numaralı paralar (26) numaralı paradan karmak için (24) numaralı parayı saat yönünün tersine döndürün. Farklı tasarıma sahip (24) ve (25) numaralı paralar (26) numaralı parayla takarak (24) numaralı parayı saat yönünde döndürüp sabitleyin.

**22.** (24, 25, 26) tertibatın standart lavabo deliğine monte edin.

VEYA

(24, 25, 26) tertibatın 33 mm'lik delik arak tezgahın üst kısmında monte edin. (27) numaralı parayı (24, 25, 26) tertibatıyla lavabo tezgahının üst kısmına yerleştirin. Su sızıntısını önlemek için lavabo tezgahının altındaki (29) numaralı parayı sıkın.

**\*\* (28) numaralı opsiyonel parayı, ap 33 mm'den büyük lavabo delikleri için kullanılır. Bu parayı lavabo tezgahı ve (27) numaralı parayla arasına yerleştirin.**

**23.** Yeni Nesil modelin (22) numaralı parasını veya S460 modelinin (23) numaralı parasını monte ederken (26) numaralı parayı alttan takın.

S460 modelinde duvar prizine takın.



**S460 hariç tüm modeller için:** Adım 24 ile devam edin.

**24.** (30) numaralı parayı (31) numaralı parayla birlikte ölütcü ve elektrik prizinden 900 mm mesafede bir dolap duvarına sıkıca monte edin.

**25.** (23) numaralı parayı (30) numaralı parayı alt kısmına takın. (30) numaralı parayı elektrik prizine takın.

## Sızıntı Kontrolü

**26.1** Sızıntı testi için (3) numaralı parayı (4) numaralı parayla yerleştirin ve yerine oturana kadar düzgünce bastırın. (1) numaralı parayı lavabo deliğine yerleştirin, lavaboyu suyla doldurun, (1) numaralı parayı karak suyu tahliye edin ve su sızıntısını kontrol etmek için lavabonun altına bakın. Sigorta kutusundan veya devre kesici kutusundan elektrik gücünü yeniden bağlayın.

## Sızıntı/Çalışma Kontrolü (Alba Tıpa)\*

**26.2** Sızıntı testi için (3) numaralı parayı (4) numaralı parayla yerleştirin ve yerine oturana kadar düzgünce bastırın. (2) numaralı parayı lavabo deliğine yerleştirin, lavaboyu suyla doldurun, (2) numaralı parayı kaldırmak için ağırlık ve suyu tahliye edin. Sonrasında su sızıntısını kontrol etmek için lavabonun altına bakın. Sigorta kutusundan veya devre kesici kutusundan elektrik gücünü yeniden bağlayın.

Ölütcüyü Alba Tıpa ile alt tarafında ölütcüye rasatla gürtüştürün ve malzemenin dar kısımlarında en az indirilmeye kadar alt tarafında ağırlık ve suyu tahliye edin ve suyu tahliye edin. (2) numaralı parayı kaldırmak için ağırlık ve suyu tahliye edin (suyun akması izin verilecek şekilde).

Ölütcü tamamlandıktan sonra ölütcüyü kapatın ve tahliye hattını temizlemek için suyu birkaç saniye akıtın. (2) numaralı parayı, inik konumdayken tıpa görevi görür.

# ÖNEMLİ GÜVENLİK TALİMATLARI

## YANGIN, ELEKTRİK ÇARPMASI, KULLANILANLARIN YARALANMASI VEYA MADDİ HASAR RİSKİNE LİKİTAL MATLAR

### TOPRAKLAMA TALİMATLARI

#### Topraklı, kablo bağlantılı tüm ütüçüler için:

Arıza veya bozulma durumunda elektrik çarpması riskini azaltmak için bu ütüçü topraklanmalıdır. Topraklama, elektrik akımının en düşük dirençli yolu sağlar. InSinkErator EZ Connect ütü kablosunun kullanılması gereklidir. Fiş, tüm yerel yasa ve yönetmeliklere uygun olarak düzgün şekilde monte edilmiş ve topraklanmış bir prize takılmalıdır.

### ⚠ UYARI

Ekipman topraklama iletkeninin yanlış bağlanması, elektrik çarpması riskine neden olabilir. Ütüçünün doğru şekilde topraklanıp topraklanmadığı konusunda üpheleriniz varsa kalifiye bir elektrikçi veya servis personeline danışın. Ürünle birlikte verilen ütü kablosu, prizle uyumlu değilse fişini değiştirmeyin veya zorla prize takmaya çalışmayın. Uygun priz montaj için kalifiye bir elektrik teknisyenine başvurun.

- Bu ütüçü düzgün şekilde topraklanmalıdır.
- Topraklama kablosunu gaz besleme hattına bağlamayın.
- Montaj veya bakımdan önce ütüçünün gübalaştırmasını kesin.
- EZ Connect ütü kablosu, 3 delikli topraklı prize takılmalıdır.
- Kablo tesisatının tamamı yerel elektrik yasalarıyla uyumlu olmalıdır.
- Uygun topraklamalar yapana kadar ana servis panelindeki elektrik akımını yeniden yapmayın.

### B LG

- Lavabo flanajında herhangi bir ütüçü bağlantısında silikon kullanmayın. Dişsiz demir malzemesi kullanmayın. Bunlar ütüçüye zarar verip maddi hasara neden olabilir.
- Titreşim Önleyici Tailpipe Mount™ bulunan modellerde, ürünle birlikte verilen yaylı hortum kelepçesinin kullanılmaması, garantiyi geçersiz kılar.
- Düz bir tahliye borusu kullanıldığında ütüçüdeki suyu tahliye etmek ve ütüçüde su kalmamasına sağlamak için ütüçü kılavuzundaki boru bağlantısı, ütüçü kılavuzundan yukarı doğru, aşağıya doğru olmalıdır.

### ⚠ UYARI-Elektrikli cihazlar kullanırken aksam dakilerin de dâhil olduğu temel önlemler her zaman alınmalıdır:

- Cihaz kullanılmadan önce tüm talimatları okuyun.
- Cihaz çocukların yakınında kullanıldığında yaralanma riskini azaltmak için çocukları yakından gözetim altında tutulmalıdır.
- Parmaklarınızı veya ellerinizi ütüçüye koymayın.
- Ütüçüdeki bir sıcaklığı gidermeden veya ütüçüden bir nesne karmadan önce güdü mesini kapalı konuma getirin.
- Atık ütüçüdeki bir sıcaklığı gidermek için alıyan anahtar kullanın.
- Atık ütüçüden nesne karmak için uzun saplı maveya pense kullanın.
- Ütüçüye unlar koymayın: Deniz tuzu veya istiridye kabukları, kostik lavabolar veya benzer ürünler, cam, porselen veya plastik, metal (örneğin kapaklar, elik bilye, tenek kutular veya mutfak eşyaları), sıcak kaynar su veya diğer sıcak sular.
- Ütüçü alırken zaman nesnelere ütüçüye düşme riskini azaltmak için tıpayı yerinde bırakın.
- Bu ürün, normal evsel gıda atıkların ütümek için tasarlanmamıştır; gıda atıklarındaki malzemelerin ütüçüye yerleştirilmesi kişisel yaralanmalara ve/veya maddi hasara neden olabilir.
- Ütüçüde unlar ütmeyin: Boyalar, solventler, ev temizlik ürünleri ve kimyasallar, otomotiv sular, plastik ambalajlar.
- YANGIN TEHLİKESİ: Bez, kağıt veya aerosol kutular gibi yanıcı maddeleri ütüçünün yakınında bulundurmuyun. Ütüçünün yakınında benzin veya diğer yanıcı buharlar sular bulundurmuyun veya kullanmayın.
- SIZINTI TEHLİKESİ: Ütüçüyü ve tesisatı bağlantı parçalarını, maddi hasara ve kişisel yaralanmalara neden olabilecek sızıntılara karşı düzenli olarak kontrol edin.

### ÇALI TIRMA TALİMATLARI\* (BU TALİMATLARI SAKLAYIN)

1. Lavabodaki tıpayı karın ve soğuk suyu alın.
2. Ütüçüyü alın.
3. Gıda atıkların yavaş ütüçüye yerleştirin.
4. Ütme tamamlandıktan sonra ütüçüyü kapatın ve tahliye hattını temizlemek için suyu 10-15 saniye akıtın.

### YANGIN, ELEKTRİK ÇARPMASI, KULLANILANLARIN YARALANMASI VEYA MADDİ HASAR RİSKİNE LİKİTAL MATLAR



## YAPILMASI GEREKENLER...

- Önce soğuk suyu alın, ardından özütcüyü alırsınız. Özütmeyi tamamladıktan sonra tahliye hattını temizlemek için soğuk suyu birkaç saniye daha akıtmaya devam edin.
- Küçük kemikler, meyve çekirdekleri ve buz gibi sert malzemeleri özütmün. Özütmeye haznesi içindeki partiküller, ardından çekilde hareket eder.
- Giderden daha ferah bir koku gelmesini sağlamak için narenciye kabukları özütmün.
- Ya birikiminden kaynaklanan kötü kokular gidermek için gerektiğinde bir özütmü temizleyici, ya giderici veya koku giderici kullanın.

## B LG

Özütmünün düzgün şekilde temizlenmemesi, özütmünün zarar görmesine ve/veya maddi hasara sebep olabilir.

## YAPILMAMASI GEREKENLER...

- Özütmünüze veya herhangi bir gideci atmayın veya dökmeyin. Borularda birikerek giderin tıkanmasına sebep olabilir. Atık ya da kavanoza veya tenekelere kutuya koyarak atmayın.
  - Gıda atmayın özütmeye inen sıcak su kullanmayın. Özütmeye süreleri arasında özütmeye sıcak su boşaltılabilir.
  - Özütcüyü tek seferde çok fazla sebze kabuğu ile doldurmayın. Bunun yerine önce suyu boşaltıp özütcüyü alırsınız, ardından kabukları yavaş yavaş atın.\*
  - Giderin tıkanması olasılığını önlemek için çok miktarda yumurta kabuğu veya mısır kabuğu, enginar vb. lifli malzemeleri özütmeyin.
  - Özütmeyi lemi tamamlanmaya ve sadece motor ve sesi duyuluncaya kadar özütcüyü kapatmayın.
- \*Cover Control Aksesuar kullanıyorsanız, Cover Control Aksesuar kullanırken lavuzuna bakmamanızdır.

## KULLANICI BAKIMI TALimatları

### ÖZÜTÜCÜ TEMİZLİ

Zamanla özütmeye haznesinde ve servisi korumasında yiyecek parçacıkları birikebilir. Özütmüden koku gelmesi genellikle özütmüde yiyecek biriktiğini gösterir.

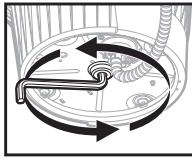
### Özütcüyü temizlemek için:

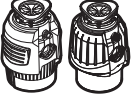
1. Tıpayı lavaboya nazan takın ve lavaboya yarım kadar sıcak suyla doldurun.
2. Suya karbonat ekleyerek karıştırın. Artık kalan parçacıkları kayp temizlemek için özütcüyü aynı anda lavabodan tıpayı çıkarın.
3. Lavabo Servisi Korumasını karpa elinizde veya bulaşık makinesinde kaydırın. Servisi Koruması yerinde de olsa özütcüyü alırmayın.

### ÖZÜTÜCÜDEKİ SIKI KLİGİ DERMEK

Özütmü alırken motor durursa özütmüde sıkılaşma meydana gelmiş olabilir. Sıkılaşma gidermek için:

1. Özütcüyü ve suyu kapatın.
2. Alyan anahtarın bir ucunu özütmünün altındaki merkez deliğe yerleştirin. Bir tam tur dönene kadar alyan ileri geri hareket ettirin. Alyan anahtarın çıkarın.
3. Özütmünün iç kısmına mayayla eriyip nesneyi/hesneleri çıkarın.

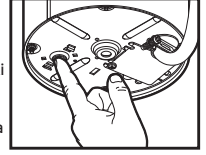


- 4.1  Özütmüde otomatik olarak alyan anahtar bulunur. Tekrar alırmadan önce özütmünün 20 dakika kadar soğumasını bekleyin (motor yine de alırmazsa servis panelinde devre kesicilerin atılmadığını veya sigortaların yanıp yanmadığını kontrol edin).

4.2



Özütmü motorunun 3-5 dakika soğumasını bekleyin ve ardından özütmünün alt tarafındaki kırmızı renkli sigortaları kaldırın (motor yine de alırmazsa servis panelinde devre kesicilerin atılmadığını veya sigortaların yanıp yanmadığını kontrol edin).



## Garanti Bilgileri (Yıl cinsinden garanti süresi\*)

Garanti, ünite seri numarası ve kurulum tarihine göre belirlenir. Garanti durumunu doğrulamak için satılmamış veya kurulum makbuzu gerekebilir.

Uzatılmış teklifi uygun olup olmadığını görmek için ürününüzü <http://www.insinkerator-worldwide.com> adresi üzerinden kaydedebilirsiniz. Garanti süresi pazara göre değişkenlik gösterir.

### SERVİS

Servis için lemi gerekiyorsa InSinkErator Yetkili Servis Merkezlerinden biriyle veya bayinizle iletişime geçin. Kurulumdan sonra özütmünüzü söküp onarmaya alırsanız veya özütcüyü ticari amaçlarla kullanırsanız garanti geçersizdir.

Model ve garanti yılı zaman dilimi aşağıdaki çizelgede verilmiştir.

Model	AB	Meksika	Brezilya	Kore	Hindistan
S460 SR/EC/RC	2	2	2		
Premium 550 SR	3	3	3	3	3
Premium 700 SR	4	4	4		
Evolution Plus 750 SR	5	5	5	5	5
Evolution Plus 1000 SR	6	6	6	6	
Premium 550 EC	2				
Premium 700 EC	2				
Evolution Plus 750 EC	3				
Evolution Plus 1000 EC	4				
Premium 550 RC	2				
Premium 700 RC	3				
Evolution Plus 750 RC	4				
Evolution Plus 1000 RC	5				

# Køkkenkværn

Installationsvejledning



Scan QR-koden for at se installationsvideoen.

in sink erator

©2023 Alle rettigheder forbeholdes.

## Dimensions

### Til buede afløbsrør

\*Afstand fra bunden af vasken til midterlinjen af udløbet på kværnen. Læg 12,7 mm til, når der bruges rustfrie stålvaske.

\*\*Afgangsrørets længde fra midterlinjen af udløbet på kværnen til enden af afgangsrøret.

\*\*\*Afstanden mellem bunden af vasken og affaldsrøret skal være mindst 20 cm til 30 cm.

Bemærk: For mål på Cover Control-modellen - se Cover Control

## Nødvendige værktøjer og materialer (medfølger ikke)



### Inkluderer

- |                           |                                     |  |   |
|---------------------------|-------------------------------------|--|---|
| 1. Stopper                | 9. 38,1 mm skruer                   | 17. Antivibrationsbeslag til Y-rør       | 25. Trykknop (3 overfladefinishes medfølger)    |
| 2. Alba-stopper*          | 10. 28,6 mm skruer                  | 18. Fjederklemme                         | 26. Hus med gevind                              |
| 3. Vaskkurveventil        | 11. L sering                        | 19. Vrider                               | 27. Gummipakning                                |
| 4. Vaskflange             | 12. Nedre monteringsring            | 20. Bolte                                | 28. Pakskive af rustfrit stål***                |
| 5. Gummipakning til vask* | 13. Indgangsprop til opvaskemaskine | 21. Jordforbindelsesskrue                | 29. Plastikmøtrik                               |
| 6. Fiberpakning           | 14. Pakning til Y-rør               | 22. EZ Connect-elledning                 | 30. Luftkontakt med elledning med 3 ledninger** |
| 7. Reserveflange          | 15. Flange                          | 23. Luftslange**                         | 31. 19 mm skruer**                              |
| 8. Monteringsring         | 16. Y-rør                           | 24. Kant (3 overfladefinishes medfølger) |   |

\*Kun specifikke modeller

\*\*Inkluderet med modeller i næste generation

\*\*\*Den valgfrie skive af rustfrit stål bruges til vaskeåbninger, der er større end 33 mm

## \*! \* Sikkerhedsoplysninger

- FARE** angiver en farlig situation, som, hvis den ikke undgås, vil resultere i død eller alvorlig personskade.
- ADVARSEL** angiver en farlig situation, som, hvis den ikke undgås, kan resultere i død eller alvorlig personskade.
- FORSIGTIG** angiver en farlig situation, som, hvis den ikke undgås, kan resultere i mindre eller moderate skader.
- BEMÆRKNING** bruges til at adressere praksisser, der ikke er relateret til personskade.
- SIKKERHEDS INSTRUKTIONER** (eller tilsvarende) skilte angiver specifikke sikkerhedsrelaterede instruktioner eller procedurer.

**ADVARSEL** Læs disse instruktioner omhyggeligt. Manglende overholdelse af installations-, betjenings- og brugervejledningsinstruktionerne kan medføre personskade, vandlækage eller skade på ejendom.

**ADVARSEL - FARE FOR STØD**  
Sluk for strømmen ved sikringsboksen, før installationen påbegyndes.

### BEMÆRKNING

- **Risiko for skade på ejendom.** Brug ikke silikonetætningsmasse på andre køkkenværnstilslutninger end flangen til vasken. Brug ikke gevindforseglingssmidler.
- **Risiko for skade på ejendom.** Hvis der tilsluttes en opvaskemaskine, **SKAL** indgangsproppen til opvaskemaskine fjernes, da opvaskemaskinen ellers kan løbe over. Se trin 11 eller 16.

## Fjern eksisterende køkkenkværn

Hvis du udskifter en eksisterende køkkenkværn, skal du fortsætte til Trin 1.

Hvis der ikke er nogen eksisterende køkkenkværn, skal du slukke for strømmen ved strømafbryderen eller sikringsboksen, frakoble afløbet fra vasken og gå videre til Trin 8.

1. Sluk for strømmen ved strømafbryderen eller sikringsboksen. Frakobl vandlæns fra køkkenkværnens afløbsrør. Frakobl opvaskemaskinen, hvis den er tilsluttet køkkenkværnen.
2. Understøt køkkenkværnen, indsæt enden af (19) i højre side af monteringsklemmen, og drej. Køkkenkværnen falder frit ned.

### ⚠ ADVARSEL - FARE FOR FALD

3. Træk stikket ud, fjern enheden. Den eksisterende elledning må ikke genbruges. InSinkErator EZ Connect-elledning skal bruges. Fortsæt til trin 4.

## Afmontering af vaskmontering

4. Hvis monteringsssamlingen til den nye køkkenkværn er den samme, kan du vælge at springe til trin 11.

**Bemærk:** For vaske, der er tykkere end 9,5 mm, skal du udskifte de eksisterende 38,1 mm skruer (9) med 28,6 mm skruer (10). Se trin 11.

Brug en flad skrueetrækker til at løsne de 3 skruer på monteringsssamlingen.

5. Brug en flad skrueetrækker til at lirke (11) af.
6. Fjern flangen fra vasken. Fjern den gamle pakning eller spartelmasse fra vasken med en spartelkniv.

## Installer vaskflangen

- 7.1 For modeller med gummipakning:  
Sæt (4) over (5\*), og sæt den godt fast i vaskens bning.

### BEMÆRK

**Skade på ejendom.** Risiko for langvarig/kortvarig vandlækage, hvis den ikke er korrekt monteret.

\*Kun til specifikke modeller.

- 7.2 For modeller uden gummipakning:  
Påfør en jævn stribe silikonetætningsmasse omkring (4).  
Tryk (4) fast ned i vask afløbet.

### BEMÆRKNING

**Skade på ejendom.** Risiko for langvarig/kortvarig vandlækage, hvis den ikke er korrekt monteret.

## Monter monteringsssamlingen

8. Placer en vinkel, f.eks. en køkkenkværn, på vaskflangen for at holde den på plads. Brug et håndklæde for at undgå at ridse vasken.
9. Løs (6), (7) og (8). Hold på plads, mens du sætter (11) i.  
Træk (11) op, og tryk fast, indtil den klikker på plads.

10. Stram (9) jævnt og fast mod reserveflangen. Brug (10), hvis vasken er mere end 9,5 mm tyk.

Hvis vasken er tykkere end 19 mm, kræves en forlænget vaskflange (FLG-SSLG), som sælges separat.



For Model S460, som bruger opvaskemaskinets tilslutning, gå til trin 11.

For Model S460, hvor en opvaskemaskine IKKE tilsluttes, fortsæt til trin 12.

## Fjernelse af indgangsprop til opvaskemaskine (Model S460)

VIGTIGT: Kun opvaskemaskinets tilslutning

### BEMÆRKNING

Hvis opvaskemaskinen tilsluttes uden at fjerne indgangsproppen til opvaskemaskine, kan opvaskemaskinen løbe over.

11. Hvis der tilsluttes en opvaskemaskine, skal indgangsproppen til opvaskemaskine fjernes.

### BEMÆRKNING

Indgangsproppen til opvaskemaskine kan ikke erstattes, når den først er slået ud. Vend køkkenkværnen om på siden, og slå afløbsproppen ud med en skrueetrækker. Fjern proppen fra indersiden af køkkenkværnen med en tang.

## Tilslut luftslangen til køkkenkværnen (Model S460)

12. Skub den ene ende af luftslangen (23) over luftkontaktens tud, som er placeret på undersiden af køkkenkværnen. Gå til trin 15.1 eller 15.2.



**Montering af Cover Control-tilbehør:** Gå til Monteringsvejledning til Cover Control og fuldfør monteringen. Når Cover Control er monteret skal du gå til trin 15.1 eller 15.2 for at fuldføre monteringen af køkkenkværnen.

**Bemærk:** Cover Control er ikke tilgængelig på alle markeder.



For alle modeller undtagen S460: Gå til trin 13.

## Tilslut strømforsyning (Modeller i næste generation)

### ⚠ FORSIGTIG

Hvis EZ Connect-ledningen ikke følger med køkkenkværnen, skal den købes separat. Genbrug ikke den eksisterende elledning.

13. Fjern (21) fra bunden af køkkenkværnen. Indsæt (22) i udskæringen i bunden af køkkenkværnen.  
Skub (22) fremad for at tilslutte strømmen til køkkenkværnen.
14. Installer og stram (21) gennem (22) og ind i bunden af køkkenkværnen.

## Montering af Y-rør



Gentilslutningsinstruktioner **HER**, hvis du har monteret et stykke **Cover Control**-tilbehør.

### 15.1 For de fleste modeller (dem med komponenterne 14, 15 og 16):

Stik (14) ind i udløbet på køkkenkvænen. Fastgør (15, 16) samlingen med (20).

### 15.2 For modeller med antivibrationsbeslag til afgangsrør (dem med komponenterne 16, 17 og 18):

Indsæt (17) i køkkenkværens udløb. Fastgør (17) med (20). Indsæt (16) i (17) og fastgør med (18).

## Fjernelse af indgangsprop til opvaskemaskine

(Alle modeller undtagen S460)

VIGTIGT: Kun opvaskemaskinetilslutning

### 16. Indsæt (19) i (13) og drej 90° mod uret for at fjerne.

## Tilslut køkkenkvænen til monterings-samlingen

### 17. Løft køkkenkvænen fra bunden, hæng den op ved at justere de 3 monteringsvinger på (12) med tappene på (8), og drej køkkenkvænen en smule mod uret.

#### **⚠ ADVARSEL**

Placer ikke dit hoved eller din krop under køkkenkvænen; den kan falde ned under afmontering eller montering.

#### **BEMÆRKNING**

**Skade på ejendom:** Risiko for langvarig/kortvarig vandlækage, hvis ikke alle tre monteringsvinger er korrekt indsat i alle tapper og ligger på plads forbi ryggene.

### 18. Brug (19) til at dreje (12), indtil alle 3 monteringsvinger ligger fast over tappene. Drej køkkenkvænen for at justere afløbsrøret.

### 19. Tag den aftagelige del af specifikationsetiketten af, og anbring den på et synligt sted.

Scan QR-koden på specifikationsetiketten for produktregistrering og yderligere produktinformation.

## Tilslut køkkenkvænen til rør

### 20. Tilslut rørene igen (og tilslutningen til opvaskemaskinen, hvis den bruges).

#### **BEMÆRKNING**

**Skade på ejendom:** Risiko for vandlækage, hvis den ikke er korrekt monteret.

For at reducere risikoen for lækage skal afløbsrøret have en korrekt hældning (ikke mindre end 6,4 mm hældning pr. 0,3 m) fra køkkenkvænen til afløbstilslutningen, og afløbstilslutningen skal være lavere end køkkenkværens afløb. Hvis dette ikke følges, kan det føre til for tidlig korrosion eller lækage på grund af stående vand i køkkenkvænen.

For køkkenkværne, der er udstyret med et Anti-Vibration Tailpipe Mount™, sørg for at beslaget til afgangsrøret ikke flekkes. Det kan være nødvendigt at trimme røret for at få det til at passe.

## Endelig montering

### 21. Hvis du foretrækker en anden overfladefinish: Drej (24) mod uret for at fjerne den eksisterende finish (24) og (25) fra (26). Monter en anden overfladefinish (24) og (25) på (26) ved at dreje (24) med uret for at fastgøre den.

### 22. Monter (24, 25, 26) samlingen gennem et standardhul i vasken.

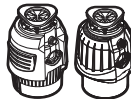
ELLER

Monter (24, 25, 26) samlingen gennem bordpladen ved at bore et hul med en diameter på 33 mm. Placer (27) mellem (24, 25, 26) samlingen og toppen af bordet. Stram (29) under bordet for at sikre en vandtæt forsegling.

**\*\* Den valgfrie (28) bruges til vaskåbninger, der er større end 33 mm i diameter. Placer den mellem bordet og (27).**

### 23. Indsæt den resterende ende af (22) modellen (næste generation) eller (23) S460-modellen i bunden af (26).

For S460-modellen, tilslut til stikkontakt i vaskemaskinen.



For alle modeller undtagen S460: Gå til trin 24.

### 24. Monter (30) forsvarligt med (31) på en skabsvæg inden for 900 mm fra køkkenkvænen og stikkontakten.

### 25. Monter (23) til bunden af (30). Tilslut (30) til stikkontakt i vaskemaskinen.

## Tjek for lækager

### 26.1 For at teste for lækager, indsæt (3) i (4), tryk jævnt ned, indtil den klikker på plads. Indsæt (1) i åbningen til vasken, fyld vasken med vand, fjern (1) for at dræne, og kig derefter under vasken efter lækende vand. Tilslut strømmen igen ved sikringsboksen eller afbryderboksen.

## Tjek for lækager/drift (Alba-stopper)\*

### 26.2 For at teste for lækager, indsæt (3) i (4), tryk jævnt ned, indtil den klikker på plads. Indsæt (2) i åbningen til vasken, fyld vasken med vand, løft (2) for at åbne og dræne. Kig derefter under vasken efter lækende vand. Tilslut strømmen igen ved sikringsboksen eller afbryderboksen.

For at betjene køkkenkvænen med Alba-stopper skal du langsomt skubbe madaffald i køkkenkvænen og placere (2) i lodret position (så vandet kan løbe igennem) for at minimere støj og mulig udslængning af materiale under kvænen.

Når køkkenkvænen er færdig, skal du slukke for den og lade vandet løbe i et par sekunder for at skylle afløbsrøret. (2) fungerer også som en prop i den nederste position.

# VIGTIGE SIKKERHEDSINSTRUKTIONER

## INSTRUKTIONER VEDRØRENDE RISIKO FOR BRAND, ELEKTRISK STØD, PERSONSKADE ELLER SKADE PÅ EJENDOM

### INSTRUKTIONER OM JORDFORBINDELSE

For alle jordforbundne, ledningsforbundne køkkenkvrerne: Denne køkkenkvreren skal have jordforbindelse for at reducere risikoen for elektrisk stød i tilfælde af fejlfunktion eller nedbrud. Jordforbindelse giver en vej med mindst modstand for elektrisk strøm. Brug af InSinkErator EZ Connect-elledning er påkrævet. Stikket skal sættes i en stikkontakt, der er korrekt installeret og jordforbundet i overensstemmelse med alle lokale regler og forordninger.

#### ⚠ ADVARSEL

Forkert tilslutning af udstyrets jordleder kan medføre risiko for elektrisk stød. Kontakt en kvalificeret elektriker eller servicemand, hvis du er i tvivl om, hvorvidt køkkenkvreren er korrekt jordforbundet. Hvis den medfølgende EZ Connect-elledning ikke passer til stikkontakten, må du ikke ændre stikket eller forsøge at tvinge det ind i stikkontakten af en kvalificeret elektriker til at installere en korrekt stikkontakt.

- Denne køkkenkvreren skal være korrekt jordforbundet.
- Tilslut ikke jordledningen til gasforsyningsledningen.
- Afbryd strømmen, før du installerer eller servicerer køkkenkvreren.
- EZ Connect-elledning skal sættes i en jordforbundet stikkontakt med 3 huller.
- Al ledningsføring skal være i overensstemmelse med de lokale elforskrifter.
- Tilslut ikke strømmen igen ved hovedpanelet, før der er installeret korrekt jordforbindelse.

#### BEMÆRKNING

- Brug ikke silikonet tningsmasse på andre køkkenkvrerntilslutninger end flangen til vasken. Brug ikke gevindforseglsmidler. Disse kan beskadige køkkenkvreren og forårsage materielle skader.
- For modeller udstyret med Anti-Vibration Tailpipe Mount™ bortfalder garantien, hvis den medfølgende fjederbelastende slangeklemme ikke anvendes.
- For at drøne korrekt og forhindre stænde vand i køkkenkvreren, når der bruges et lige afløbsrør, skal rørforbindelsen modsat køkkenkvrerens udløb være lavere, ikke højere, end køkkenkvrerens udløb.

**⚠ ADVARSEL** - Når man bruger elektriske apparater, skal man altid følge de grundlæggende forholdsregler, herunder:

- Læs alle instruktioner, før du bruger apparatet.
- For at reducere risikoen for skader er det nødvendigt med tilsyn, når et apparat bruges i nærheden af børn.
- Stik ikke fingre eller hænder ind i køkkenkvreren.
- Sl afbryderen fra, før du forsøger at fjerne en blokering eller en fastklemt genstand fra køkkenkvreren.
- Brug vrideren, når du forsøger at fjerne en blokering i en køkkenkvreren.
- Når du forsøger at fjerne genstande fra en køkkenkvreren, skal du bruge en tang med langt skaft.
- Kom ikke følgende i en køkkenkvreren: muslinge- eller østersskaller, tsende afløbsrens eller lignende produkter, glas, porcelæn eller plastik, metal (f.eks. kapsler, stlhag, dser eller redskaber), varmt fedt eller andre varme væsker.
- Når du ikke bruger en køkkenkvreren, kan du lade proppen sidde på plads for at reducere risikoen for, at genstande falder ned i køkkenkvreren.
- Dette produkt er designet til at bortskaffe normalt madaffald fra husholdningen. Hvis der kommer andre materialer end madaffald i køkkenkvreren, kan det forårsage personskade og/eller skade på ejendom.
- Følgende må ikke bortskaffes i køkkenkvreren: maling, opløsningsmidler, rengøringsmidler og kemikalier til husholdningen, bilvasker, plastfolie.
- BRANDFARE: Opbevar ikke brændbare genstande som f.eks. klude, papir eller aerosolser i nærheden af køkkenkvreren. Opbevar eller brug ikke benzin eller andre brændbare dampe og væsker i nærheden af køkkenkvreren.
- FARE FOR LØS KAGE: Efterse regelmæssigt køkkenkvreren og VVS-fittings for løse kager, som kan forårsage materielle skader og resultere i personskade.

#### BETJENINGSINSTRUKTIONER\* (GEM DISSE INSTRUKTIONER)

1. Fjern proppen fra vaskens åbning, og lad koldt vand løbe.
2. Tænd for køkkenkvreren.
3. Skub langsomt madaffald ned i køkkenkvreren.
4. Når køkkenkvreren er færdig, skal du slukke for den og lade vandet løbe i 10-15 sekunder for at skylle afløbsrøret.

#### INSTRUKTIONER VEDRØRENDE RISIKO FOR BRAND, ELEKTRISK STØD, PERSONSKADE ELLER SKADE PÅ EJENDOM



## GØR FØLGENDE...

- Tænd først for det kold vand, og tænd derefter for køkkenkværnen. Lad det kolde vand løbe i flere sekunder, efter at køkkenkværnen er færdig, for at skylle afløbsrøret.
- Kværnen hvide materialer som små knogler, frugtkerner og is. Partiklerne inde i kværnkammeret skaber en skurende effekt.
- Kværnen citrusfrugter for at opfriske lugten i afløbet.
- Brug et rengøringsmiddel, affedtningsmiddel eller deodoriseringsmiddel efter behov for at fjerne ubehagelige lugte forårsaget af fedtaflejninger.

### BEMÆRKNING

Hvis du ikke skyller køkkenkværnen ordentligt, kan det medføre skader på køkkenkværnen og/eller ting.

## GØR IKKE FØLGENDE...

- Hold ikke fedt ned i din køkkenkværnen eller noget andet afløb. Det kan ophobe sig i rørene og forårsage blokeringer i afløbet. Kom fedtet i en krukke eller dase, og smid det i skraldespanden.
- Brug ikke varmt vand, når du kværner madaffald. Det er OK at hælde varmt vand i køkkenkværnen mellem kværnerperioderne.
- Fyld ikke køkkenkværnen med en masse grøntsagsskaller på én gang. Tænd i stedet først for vandet og køkkenkværnen, og fyld derefter skallerne i gradvist.\*
- Kværnen ikke store mængder gøskaller eller fibrose materialer som majsskaller, artiskokker osv. for at undgå blokering af afløbet.
- Sluk ikke for køkkenkværnen, før den er færdig, og der kun høres lyd fra motor og vand.  
\*Brugere af Cover Control henvises til brugsanvisningen til Cover Control.

## INSTRUKTIONER OM BRUGERVEDLIGEHOLEDSE

### RENGØRING AF KØKKENKVÆRNER

Med tiden kan madpartikler samle sig i kværnkammeret og kurveventilen. En lugt fra køkkenkværnen er normalt et tegn på ophobning af madrester.

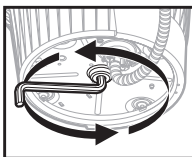
### Sådan rengøres køkkenkværnen:

1. Sæt proppen i bningen i vasken, og fyld vasken halvt op med varmt vand.
2. Bland en opløsning af bagepulver med vand. Tænd for køkkenkværnen, og fjern samtidig proppen fra vasken for at skylle løse partikler ud.
3. Fjern kurveventilen og rengør i henden eller i opvaskemaskinen. Brug ikke køkkenkværnen uden at vaskkurveventilen er på plads.

### FJERNELSE AF BLOKERING I KØKKENKVÆRNER

Hvis motoren stopper, mens køkkenkværnen er i gang, kan køkkenkværnen have sat sig fast. Sådan fjernes en blokering:

1. Sluk for køkkenkværnen og vandet.
2. Indsæt den ene ende af vriderenen i det midterste hul i bunden af køkkenkværnen. Bevæg vriderenen frem og tilbage, indtil den drejer en hel omgang. Fjern vriderenen.
3. Ræk ind i køkkenkværnen med en tang, og fjern genstanden(e).



4.1

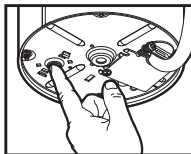


Køkkenkværnen er udstyret med en automatisk overbelastningsafbryder. Lad køkkenkværnen køle af i op til 20 minutter, før den tændes igen. (Hvis motoren stadig ikke fungerer, skal du tjekke servicepanelet for udløste strømafbrydere eller sprungne sikringer).

4.2



Lad køkkenkværnens motor køle af i 3-5 minutter, og tryk derefter let på den røde nulstillingsknap i bunden af køkkenkværnen. (Hvis motoren stadig ikke fungerer, skal du tjekke servicepanelet for udløste strømafbrydere eller sprungne sikringer).



## Garantioplysninger (Garantiperiode i år\*)

Garantien bestemmes af enhedens serienummer og installationsdatoen. Kvittering på køb eller installation kan være nødvendig for at bekræfte garantistatussen.

Registrer dit produkt på <http://www.insinkerator-worldwide.com> for at se, om du er berettiget til udvidede tilbud. Garantiperiode varierer efter marked.

### SERVICE

Hvis service er nødvendig, kan du kontakte et autoriseret InSinkErator-servicecenter eller din forhandler. Garantier bliver ugyldige, hvis du fjerner køkkenkværnen efter installation og forsøger at reparere den, eller hvis køkkenkværnen bruges til kommercielle formål.

Model og tidsrammen for garantien i r er angivet i diagrammet herunder.

Model	EU	Mexico	Brasilien	Korea	Indien
S460 SR/EC/RC	2	2	2		
Premium 550 SR	3	3	3	3	3
Premium 700 SR	4	4	4		
Evolution Plus 750 SR	5	5	5	5	5
Evolution Plus 1000 SR	6	6	6	6	
Premium 550 EC	2				
Premium 700 EC	2				
Evolution Plus 750 EC	3				
Evolution Plus 1000 EC	4				
Premium 550 RC	2				
Premium 700 RC	3				
Evolution Plus 750 RC	4				
Evolution Plus 1000 RC	5				

# Voedselrestenvermaler

Installatie-instructies

in sink erator



Scan de QR-code om de installatievideo te bekijken.

©2023 Alle rechten voorbehouden.

## Afmetingen

### Voor gebogen ontladingsbuis

\*Afstand van de onderkant van de speelbak tot de hartlijn van de afvoer van de vermaler. Tel hier 12,7 mm bij op bij gebruik van roestvrijstalen speelbakken.

\*\*Lengte van de uitlaat van de hartlijn van de uitlaat van de vermaler tot het einde van de uitlaatpijp.

\*\*\*De afstand tussen de onderkant van de speelbak en de afvoerpijp moet minimaal 20 tot 30 cm zijn.

**Opmerking:** Voor de afmetingen van het Cover Control-model - zie Cover Control

## Benodigde gereedschappen en materialen (Niet inbegrepen)



### Inbegrepen

- |                                   |                            |  |   |
|-----------------------------------|----------------------------|--|---|
| 1. Stop                           | 9. Schroeven van 38,1 mm   | 16. Y-pijp                               | 25. Drukknop (3 afwerkingen meegeleverd)    |
| 2. Alba-stop*                     | 10. Schroeven van 28,6 mm  | 17. Vibratiebestendige Y-pijpbevestiging | 26. Schroefdraadverbinding                  |
| 3. Geluiddemper voor gootsteen    | 11. Borgring               | 18. Veerklem                             | 27. Rubberen afdichting                     |
| 4. Gootsteenflens                 | 12. Onderste montagegering | 19. Steeksleutel                         | 28. Roestvrijstalen ring***                 |
| 5. Rubberen gootsteen afdichting* | 13. Toevoerplug vaatwasser | 20. Bouten                               | 29. Kunststof moer                          |
| 6. Vezelafdichting                | 14. Afdichting Y-pijp      | 21. Massaschroef                         | 30. Luchtschakelaar met 3-aderig netsnoer** |
| 7. Reserveflens                   | 15. Flens                  | 22. EZ Connect-netsnoer                  | 31. 19mm-schroeven**                        |
| 8. Montagegering                  |                            | 23. Luchtslang**                         |   |
|                                   |                            | 24. Rozet (3 afwerkingen meegeleverd)    |   |

\*Alleen specifieke modellen

\*\*Inbegrepen bij Next Gen-modellen

\*\*\*De optionele roestvrijstalen ring wordt gebruikt voor gootsteenopeningen groter dan 33 mm

## \*⚠\* Veiligheidsinformatie

### ⚠ GEVAAR

geeft een gevaarlijke situatie aan die, als deze niet wordt vermeden, zal leiden tot de dood of ernstig letsel.

### ⚠ WAARSCHUWING

geeft een gevaarlijke situatie aan die, als deze niet wordt vermeden, kan leiden tot de dood of ernstig letsel.

### ⚠ VOORZICHTIG

geeft een gevaarlijke situatie aan die, als deze niet wordt vermeden, zou kunnen leiden tot licht of matig letsel.

### LET OP

### VEILIGHEIDS INSTRUCTIES

wordt gebruikt om praktijken aan te duiden die geen verband houden met persoonlijk letsel.

(of vergelijkbare) borden geven specifieke veiligheidsgerelateerde instructies of procedures aan.

**⚠ WAARSCHUWING** Lees deze instructies zorgvuldig door. Het niet opvolgen van de installatie-, gebruiks- en onderhoudsinstructies kan leiden tot persoonlijk letsel, waterlekage of materiële schade.

### ⚠ WAARSCHUWING SCHOKGEVAAR

Schakel de stroom uit in de zekeringenkast voordat u met de installatie begint.

### LET OP

- **Risico op materiële schade.** Gebruik geen siliconenkit op andere aansluitingen van de vermaler dan de gootsteenflens. Gebruik geen schroefdraadafdichtingsmiddelen.
- **Risico op materiële schade.** Als u een vaatwasser aansluit, **MOET** de toevoerplug van de vaatwasser worden verwijderd, omdat anders de vaatwasser kan overlopen. Zie stap 11 of 16.

## Een bestaande vermalder verwijderen

Als u een bestaande vermalder vervangt, kunt u doorgaan met stap 1.

Als er geen bestaande vermalder is, schakelt u de stroom uit bij de stroomonderbreker of de zekeringenkast, ontkoppelt u de afvoer van de gootsteen en gaat u verder met stap 8.

1. Schakel de stroom uit bij de stroomonderbreker of de zekeringenkast. Ontkoppel de sifon van de afvalafvoerbuïs. Koppel de vaatwasser los als deze is aangesloten op de vermalder.
2. Ondersteun de vermalder, steek het uiteinde van (19) in de rechterzijde van het bevestigingssysteem en draai. De vermalder zal vrij vallen.

### ⚠ WAARSCHUWING VALGEVAAR

3. Koppel het snoer los, verwijder de unit. Het bestaande netsnoer mag niet opnieuw worden gebruikt. Er moet een InSinkErator EZ Connect-netsnoer worden gebruikt. Ga door met stap 4.

## Gootsteenbevestiging verwijderen

4. Als het nieuwe bevestigingssysteem van de vermalder hetzelfde is, kunt u ervoor kiezen om verder te gaan met stap 11.  
**Opmerking:** Voor gootstenen die dikker zijn dan 9,5 mm, moet u de bestaande schroeven van 38,1 mm (9) vervangen door schroeven van 28,6 mm (10). Zie stap 11. Gebruik een platte schroevendraaier om de 3 schroeven van de montageconstructie los te draaien.
5. Wrik los met een platte schroevendraaier (11).
6. Verwijder de flens van de gootsteen. Verwijder oude pakking of plamuur van de gootsteen met een plamuurmes.

## De gootsteenflens installeren

- 7.1 Voor modellen met een rubberen pakking: (4) over (5\*) aanbrengen en stevig in de gootsteenopening plaatsen.

### LET OP

**Materiële schade.** Risico op waterlekage op lange/korte termijn indien niet correct gemonteerd.

\*Alleen voor specifieke modellen.

- 7.2 Voor modellen zonder rubberen pakking: Breng rondom gelijkmatig een druppel siliconenkit aan (4).  
(4) stevig in de gootsteenafvoer drukken.

### LET OP

**Materiële schade.** Risico op waterlekage op lange/korte termijn indien niet correct gemonteerd.

## Montageconstructie bevestigen

8. Plaats een gewicht, zoals de vermalder, op de flens van de gootsteen om deze op zijn plaats te houden. Gebruik een handdoek om krassen op de gootsteen te voorkomen.
9. Breng (6), (7) en (8) in. Houd de onderdelen tijdens het inbrengen op hun plaats (11).  
Trek (11) open en druk stevig aan totdat hij vastklikt.

10. Draai (9) gelijkmatig en stevig vast tegen de steunflens. Gebruik (10) als de gootsteen meer dan 9,5 mm dik is.

Als de gootsteen dikker is dan 19 mm, is een verlengde gootsteenflens (FLG-SSLG) vereist, deze is afzonderlijk verkrijgbaar.



Voor model S460 Ga bij gebruik van de vaatwasser verbinding door naar stap 11.

Voor model S460 Als er GEEN vaatwasser wordt aangesloten, gaat u door naar stap 12.

## Toevoerplug vaatwasser verwijderen (model S460)

**BELANGRIJK:** Alleen bij aansluiting van een vaatwasser

### LET OP

Als de vaatwasser wordt aangesloten zonder de toevoerplug van de vaatwasser te verwijderen, kan de vaatwasser overstromen.

11. Als u een vaatwasser aansluit, verwijdert u de toevoerplug van de vaatwasser.

### LET OP

De toevoerplug van de vaatwasser kan niet worden vervangen als deze er eenmaal is uitgeslagen. Draai de vermalder op zijn kant en klop de aftapplug eruit met een schroevendraaier. Verwijder de plug met een tang uit het binnenste van de vermalder.

## Luchtslang aansluiten op de vermalder (model S460)

12. Duw het ene uiteinde van de luchtslang (23) over de luchtschakeltuit, die zich aan de onderkant van de vermalder bevindt. Ga naar stap 15.1 of 15.2.



**Installatie van het Cover Control-accessoire:**

Ga naar Installatiehandleiding Cover Control en voltooi de installatie. Zodra Cover Control is geïnstalleerd, gaat u naar stap 15.1 of 15.2 om de installatie van de vermalder te voltooien.

**Opmerking:** Cover Control is niet overal verkrijgbaar.



Voor alle modellen behalve S460: Ga naar stap 13.

## Elektrische voeding aansluiten (Next Gen-modellen)

### ⚠ VOORZICHTIG

Als het EZ Connect-snoer niet met de vermalder wordt meegeleverd, moet het afzonderlijk worden aangeschaft. De bestaande stroomkabel mag niet worden hergebruikt.

13. Verwijder (21) van de onderkant van de vermalder. Steek (22) in de uitsparing aan de onderkant van de vermalder.  
Duw (22) naar voren om de stroom naar de vermalder aan te sluiten.
14. Installeer en draai (21) door (22) en in de onderkant van de vermalder.

## Y-pijp installeren



Instructies voor het opnieuw verbinden vindt u **HIER** als u een Cover Control-accessoire hebt aangesloten.

- 15.1** Voor de meeste modellen (die met de onderdelen 14, 15 en 16): Steek (14) in de afvoeruitlaat van de vermaler. Zet het samenstel (15, 16) vast met (20).
- 15.2.** Voor modellen met een vibratiebestendige afvoerpijpevestiging (die met de onderdelen 16, 17 en 18): Steek (17) in de afvoeruitlaat van de vermaler. Zet (17) vast met (20). Steek (16) in (17) en zet vast met (18).

## Toevoerplug vaatwasser verwijderen (alle modellen behalve S460)

**BELANGRIJK:** Alleen bij aansluiting van een vaatwasser

- 16.** Steek (19) in (13) en draai 90° tegen de klok in voor verwijdering.

## De vermaler verbinden met de montageconstructie

- 17.** Til de vermaler vanaf de onderkant op, hang de vermaler op door de 3 montagepijpen op (12) uit te lijnen met de opschuifhellingen op (8) en draai de vermaler lichtjes tegen de klok in.

### ⚠ WAARSCHUWING

Plaats uw hoofd of lichaam niet onder de vermaler; het apparaat kan omlaag vallen tijdens het verwijderen of installeren.

### LET OP

**Materiële schade:** Risico op waterlekage op lange/korte termijn als alle drie de montagepijpen niet goed op alle opschuifhellingen zijn geplaatst en voorbij de richels op hun plaats zijn vergrendeld.

- 18.** Gebruik (19) en draai (12) totdat alle 3 de montagepijpen voorbij de richels op de opschuifhellingen vastklikken. Draai de vermaler om de afvoerbuï uit te lijnen.
- 19.** Maak het verwijderbare deel van het specificatielabel los en plaats het op een zichtbare plaats.

Scan de QR-code op het specificatielabel voor de productregistratie en aanvullende productinformatie.

## De vermaler aansluiten op het leidingwerk

- 20.** Sluit de leidingen (en de vaatwasseraansluiting indien gebruikt) weer aan.

### LET OP

**Materiële schade:** Risico op waterlekage indien niet correct gemonteerd.

Om de kans op lekken te verminderen, moet de afvoerleiding de juiste helling hebben (niet minder dan 6,4 mm verval per 0,3 m) van de vermaler naar de afvoeraansluiting, waarbij de afvoeraansluiting lager moet zijn dan de afvoer van de vermaler. Als u dit niet in aanmerking neemt, kan voortijdige corrosie of lekkage als gevolg van stilstaand water in de vermaler optreden.

Zorg er bij vermalers die zijn uitgerust met een Anti-Vibration Tailpipe Mount™ voor dat de bevestiging van de afvoerpijp niet verbogen is. Mogelijk moet u de buis inkorten zodat hij goed past.

## Definitieve installatie

- 21.** Indien een andere afwerking gewenst is: Draai (24) linksom om de bestaande afwerking (24) en (25) van (26) te verwijderen. Installeer een andere afwerking (24) en (25) op (26) door (24) met de klok mee te draaien en vast te zetten.
- 22.** Monteer het samenstel (24, 25, 26) door een standaard gootsteenopening.  
OF  
Monteer het samenstel (24, 25, 26) door het aanrechtblad door een gat met een diameter van 33 mm te boren. Plaats (27) tussen het samenstel (24, 25, 26) en de bovenkant van het aanrechtblad. Draai (29) vast onder het aanrechtblad om een waterdichte afsluiting te waarborgen.  
\*\* De optionele (28) wordt gebruikt voor gootsteenopeningen groter dan 33 mm. Plaats deze tussen het aanrechtblad en (27).
- 23.** Plaats het resterende uiteinde van (22) bij model Next Gen of (23) bij model S460 in de onderkant van (26).  
Bij model S460 stekker in de wandcontactdoos steken.



Voor alle modellen behalve S460: Ga naar stap 24.

- 24.** Monteer (30) stevig met (31) op een kastwand binnen 900 mm van de vermaler en de contactdoos.
- 25.** Bevestig (23) op de bodem van (30). Steek (30) in de contactdoos.

## Op lekkage controleren

- 26.1** Om te testen op lekkages, plaatst u (3) in (4) en drukt u het geheel gelijkmatig naar beneden totdat het vastklikt. Steek (1) in de gootsteenopening, vul de gootsteen met water, verwijder (1) om het water af te laten lopen en kijk onder de gootsteen of er water lekt. Schakel de stroom weer in bij de stroomonderbreker of de zekeringenkast.

## Controleer op lekkages/de juiste werking (Alba-stop)\*

- 26.2** Om te testen op lekkages, plaatst u (3) in (4) en drukt u het geheel gelijkmatig naar beneden totdat het vastklikt. Steek (2) in de gootsteenopening, vul de gootsteen met water, til (2) op om de afvoer te openen en het water weg te laten lopen. Kijk dan onder de gootsteen of er water lekt. Schakel de stroom weer in bij de stroomonderbreker of de zekeringenkast.  
Om de vermaler met de Alba-stop te gebruiken, plaatst u langzaam voedselresten in de vermaler en zet u (2) rechtop (zodat het water er doorheen kan lopen) om lawaai en het mogelijk uitwerpen van materiaal tijdens het malen tot een minimum te beperken.  
Nadat het malen is voltooid, schakelt u de vermaler uit en laat u het water een paar seconden lopen om de afvoerleiding door te spoelen. (2) fungeert ook als stop in de onderste stand.

# BELANGRIJKE VEILIGHEIDSinSTRUCTIES

## INSTRUCTIES MET BETREKKING TOT HET RISICO OP BRAND, ELEKTRISCHE SCHOKKEN, PERSOONLIJK LETSEL OF SCHADE AAN EIGENDOM

### AARDINGSINSTRUCTIES

Voor alle geaarde vermalers met snoer:

Deze vermaler moet geaard zijn om het risico van een elektrische schok in het geval van een storing of uitval te verminderen. Aarding biedt een weg van de minste weerstand voor elektrische stroom. Gebruik van een InSinkErator EZ Connect-netsnoer is vereist. De stekker moet in een stopcontact worden gestoken dat correct is geïnstalleerd en geaard in overeenstemming met alle lokale wetten en voorschriften.

### ⚠ WAARSCHUWING

Onjuiste aansluiting van de aardgeleider van de apparatuur kan leiden tot gevaar van een elektrische schok. Neem contact op met een gekwalificeerde elektricien of monteur als u twijfelt of de vermaler correct is geaard. Als het meegeleverde EZ Connect-netsnoer niet in het stopcontact past, breng dan geen wijzigingen aan de stekker aan en probeer de stekker niet met geweld in het stopcontact te steken. Laat een geschikt stopcontact installeren door een gekwalificeerde elektricien.

- Deze vermaler moet goed geaard zijn.
- Bevestig de aarddraad niet aan de gastoevoerleiding.
- Sluit de stroom af voordat u de vermaler installeert of onderhoudt.
- Het InSinkErator EZ Connect-netsnoer moet worden verbonden met een geaard stopcontact met 3 gaten.
- De volledige bedrading moet voldoen aan de plaatselijke elektriciteitsvoorschriften.
- Sluit de elektrische stroom niet opnieuw aan op het hoofdservicepaneel totdat de juiste aarding is geïnstalleerd.

### LET OP

- Gebruik geen siliconenkit op een andere aansluiting van de vermaler dan de gootsteenflens. Gebruik geen schroefdraadafdichtingsmiddelen. Deze kunnen de vermaler beschadigen en materiële schade veroorzaken.
- Voor modellen die zijn uitgerust met de Anti-Vibration Tailpipe Mount™, vervalt de garantie als de meegeleverde veerbelastingsslangkleem niet wordt gebruikt.
- Voor een juiste afvoer en ter voorkoming van stilstaand water in de vermaler bij gebruik van een afvoerbuis met rechte pijp, moet de buisaansluiting tegenover de vermaler lager zijn en niet hoger dan de afvoer van de vermaler.

**⚠ WAARSCHUWING**-Bij gebruik van elektrische apparaten moeten de basisvoorzorgsmaatregelen altijd worden opgevolgd, waaronder:

- Lees alle instructies voordat u het apparaat gebruikt.
- Om het risico op letsel te verminderen, is nauwlettend toezicht vereist wanneer een apparaat in de buurt van kinderen wordt gebruikt.
- Steek geen vingers of handen in de vermaler.
- Zet de aan/uit-schakelaar in de uit-stand voordat u probeert een storing te verhelpen of een voorwerp uit de vermaler wilt verwijderen.
- Gebruik de steekleutel wanneer u probeert een verstopping in een vermaler vrij te maken.
- Gebruik een tang of tang met lange steel wanneer u probeert voorwerpen uit een vermaler te verwijderen.
- Gooi het volgende niet in een vermaler: schelpen van mosselen of oesters, bijtende afvoerreinigers of soortgelijke producten, glas, porselein of plastic, metaal (zoals flessendoppen, staalkogels, blikken of keukengerie), heet vet of andere hete vloeistoffen.
- Wanneer u de vermaler niet gebruikt, laat u de stop op zijn plaats om het risico te verkleinen dat er voorwerpen in de vermaler vallen.
- Dit product is ontworpen voor het verwijderen van normaal huishoudelijk voedselafval; andere materialen dan voedselresten die in de vermaler terechtkomen kunnen persoonlijk letsel en/of materiële schade veroorzaken.
- Gooi het volgende niet in de vermaler: verf, oplosmiddelen, huishoudelijke schoonmaakmiddelen en chemicaliën, vloeistoffen voor auto's, plastic verpakkingsmateriaal.
- **BRANDGEVAAR:** Bewaar geen ontvlambare voorwerpen zoals voden, papier of spuitbussen in de buurt van de vermaler. Bewaar of gebruik geen benzine of andere brandbare dampen en vloeistoffen in de buurt van de vermaler.
- **LEKGEVAAR:** Inspecteer de vermaler en de buisfittingen regelmatig op lekkages, die materiële schade kunnen veroorzaken en tot persoonlijk letsel kunnen leiden.

### GEBRUIKSAANWIJZING\* (BEWAAR DEZE INSTRUCTIES)

1. Verwijder de stop van de gootsteenopening en laat koud water lopen.
2. Schakel de vermaler in.
3. Plaats voedselresten langzaam in de vermaler.
4. Nadat het malen is voltooid, schakelt u de vermaler uit en laat u 10-15 seconden water stromen om de afvoerleiding door te spoelen.

**INSTRUCTIES MET BETREKKING TOT  
HET RISICO OP BRAND, ELEKTRISCHE  
SCHOKKEN, PERSOONLIJK LETSEL OF  
SCHADE AAN EIGENDOM**

## DOEN...

- Draai eerst de kraan open en zet daarna de vermaler aan. Laat na het malen enkele seconden koud water stromen om de afvoerleiding door te spoelen.
- Maal harde materialen zoals botjes, fruitpitten en ijs. De kleine deeltjes in de maalkamers zorgen voor een schurend effect.
- Maal schillen van citrusvruchten om afvoeluchtjes te neutraliseren.
- Gebruik indien nodig een reinigingsmiddel voor vermalers, een ontvetter of een luchtverfrisser om onaangename geuren door vetophopingen te verwijderen.

### LET OP

Als de vermaler niet goed wordt doorgespoeld, kan dit leiden tot schade aan de vermaler en/of schade aan eigendom.

## NIET DOEN...

- Giet geen olie of vet in uw vermaler of afvoer. De olie of het vet kan zich ophopen in leidingen en afvoerstoppen veroorzaken. Doe vet in een pot of blik en gooi het in de vuilnisemmer.
- Gebruik geen heet water bij het vermalen van voedselresten. Het is OK om tussen de maalbeurten door heet water in de vermaler te laten lopen.
- Stop niet te veel groenteschillen tegelijk in de vermaler. Zet in plaats daarvan eerst de kraan open en zet de vermaler aan en voer de schillen vervolgens geleidelijk toe.\*
- Maal geen grote hoeveelheden eierschalen of vezelig materiaal zoals maiskolven, artisjokken e.d. om mogelijke verstopping van de afvoer te voorkomen.
- Schakel de vermaler pas uit als het malen is voltooid en u alleen het geluid van de motor en het water hoort.  
\*Cover Control-gebruikers dienen de instructiehandleiding van Cover Control te raadplegen.

## ONDERHOUDSINSTRUCTIES VOOR DE GEBRUIKER

### VERMALER REINIGEN

Na verloop van tijd kunnen voedseldeeltjes zich ophopen in de maalkamer en de geluiddemper. Luchtjes uit de vermaler zijn meestal een teken voor een ophoping van voedselresten.

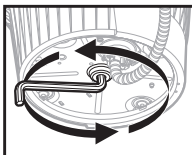
### Om de vermaler te reinigen:

1. Plaats de stop in de gootsteenopening en vul de gootsteen voor de helft met warm water.
2. Maak een oplossing van zuiveringszout en water. Schakel de vermaler in en verwijder tegelijkertijd de stop van de afvoer om losse deeltjes weg te spoelen.
3. Verwijder de geluiddemper van de afvoer en reinig deze met de hand of in de vaatwasser. Gebruik de vermaler niet zolang de geluiddemper niet is aangebracht.

## EEN OPSTOPPING IN DE VERMALER VERHELPEN

Als de motor stopt terwijl de vermaler in gebruik is, kan de vermaler zijn vastgelopen. Om de storing te verhelpen:

1. Schakel de vermaler uit en draai de kraan dicht.
2. Steek het ene uiteinde van de steeksleutel in het middelste gat aan de onderkant van de vermaler. Beweeg de steeksleutel heen en weer totdat hij een volledige omwenteling maakt. Verwijder de steeksleutel.
3. Reik met een tang in de vermaler en verwijder object(en).



4.1

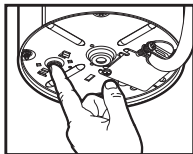


De vermaler is voorzien van een automatische overbelastingsschakelaar. Laat de vermaler maximaal 20 minuten afkoelen voordat u hem weer inschakelt. (Als de motor niet werkt, controleer dan het servicepaneel op geactiveerde stroomonderbrekers of gesprongen zekeringen).

4.2



Laat de motor van de vermaler 3 - 5 minuten afkoelen en druk vervolgens lichtjes op de rode resetknop aan de onderkant van de vermaler. (Als de motor niet werkt, controleer dan het servicepaneel op geactiveerde stroomonderbrekers of gesprongen zekeringen.)



## Informatie over de garantie (garantietermijn in jaren\*)

Het serienummer van het apparaat en de installatiedatum bepalen de garantie. U hebt wellicht een aankoop- of installatiebewijs nodig om de status van uw garantie te verifiëren.

Registreer uw product op <http://www.insinkerator-worldwide.com> om te zien of u in aanmerking komt voor een uitgebreid(ere) aanbod. De garantieperiode varieert per regio.

### SERVICE

Neem voor service contact op met een door InSinkErator erkend servicecentrum of uw dealer. De garantie vervalt als u uw vermaler na installatie verwijderd en zelf probeert te repareren, of als u de vermaler gebruikt voor commerciële doeleinden.

Model en garantiejaar vindt u in onderstaande tabel.

Model	EU	Mexico	Brazilië	Zuid-Korea	India
S460 SR/EC/RC	2	2	2		
Premium 550 SR	3	3	3	3	3
Premium 700 SR	4	4	4		
Evolution Plus 750 SR	5	5	5	5	5
Evolution Plus 1000 SR	6	6	6	6	
Premium 550 EC	2				
Premium 700 EC	2				
Evolution Plus 750 EC	3				
Evolution Plus 1000 EC	4				
Premium 550 RC	2				
Premium 700 RC	3				
Evolution Plus 750 RC	4				
Evolution Plus 1000 RC	5				

# Młynek do odpadów kuchennych

Instrukcja instalacji

in sink erator



Zeskanuj kod QR i wywietl instrukcję w formie filmu.

© 2023. Wszelkie prawa zastrzeżone.

## Wymiary

### Do zakrzywionego przewodu spustowego

\*Odległość od dna zlewu do końca wylotu młynka. Długość 12,7 mm, jeżeli zlew jest ze stali nierdzewnej.

\*\*Długość rury wylotowej od końca wylotu młynka do końca rury wylotowej.

\*\*\*Odległość od dna miski do przewodu odpadów musi wynosić co najmniej 20 cm do 30 cm.

Uwaga: Wymiary modeli z Cover Control zob. Cover Control

## Potrzebne narzędzia i materiały (nie dołączone)



### W zestawie

- |                                    |                               |  |   |
|------------------------------------|-------------------------------|--|---|
| 1. Ogranicznik                     | 9. rury 38,1mm                | 17. Przeciwdrganie mocowanie trójkątne | 25. Przycisk (zapewnione 3 wykończenia)                           |
| 2. Ogranicznik Alba*               | 10. rury 28,6mm               | 18. Zaczep sprężynowy                  | 26. Gwintowany korpus   |
| 3. Przegrodowy kołnierzyk do zlewu | 11. Pierścienie rozprężne     | 19. Klucze                             | 27. Gumowa uszczelka  |
| 4. Kołnierzyk do zlewu             | 12. Dolny pierścień montażowy | 20. Rubin                              | 28. Podkładka ze stali nierdzewnej***                             |
| 5. Gumowa uszczelka do zlewu*      | 13. Zatyka wlotu ze zmywarki  | 21. Rura uziemiająca                   | 29. Plastikowa nakładka   |
| 6. Uszczelka z włókna              | 14. Uszczelka trójkątna       | 22. Kabel zasilający EZ Connect        | 30. Przetwornik powietrza z 3-przewodowym przewodem zasilającym** |
| 7. Kołnierzyk oporowy              | 15. Kołnierzyk                | 23. Wtyczka powietrza**                | 31. Rura 19 mm**  |
| 8. Pierścienie montażowe           | 16. Trójkąt                   | 24. Skos (zapewnione 3 wykończenia)    |   |

\*Tylko w określonych modelach

\*\*Dołączone do modeli Next Gen

\*\*\*Opcjonalna podkładka ze stali nierdzewnej jest używana w przypadku otworów zlewosmykających o kształcie 33 mm

## \*⚠ Informacja dotycząca bezpieczeństwa

### ⚠ NIEBEZPIECZE STWO

sygnalizuje niebezpieczną sytuację, której zignorowanie skutkuje utratą życia lub odniesieniem poważnych obrażeń.

### ⚠ OSTRZEŻENIE

sygnalizuje niebezpieczną sytuację, której zignorowanie może skutkować utratą życia lub odniesieniem poważnych obrażeń.

### ⚠ PRZESTROGA

sygnalizuje niebezpieczną sytuację, której zignorowanie może skutkować odniesieniem poważniejszych lub umiarkowanych obrażeń.

### UWAGA

### INSTRUKCJE BEZPIECZEŃSTWA

kieruje uwagę na postępowanie, które nie wiąże się z niebezpiecznym odniesieniem obrażeń. (lub równoważny symbol) towarzyszy szczególnym instrukcjom lub procedurom, które mają związek z bezpieczeństwem.

**⚠ OSTRZEŻENIE** Przeczytaj uważnie tę instrukcję. Nieprzestrzeganie instrukcji instalacji, obsługi oraz samodzielnej konserwacji może być przyczyną obrażeń, przecieków i uszkodzenia mienia.

**⚠ NIEBEZPIECZEŃSTWO PORAZENIA PRĄDEM**  
Przed rozpoczęciem instalacji należy odciągnąć prąd na skrzynce bezpiecznikowej.

### UWAGA

- **Niebezpieczeństwo uszkodzenia mienia.** Silikonowego szczelnika nie wolno używać na żadnym innym połączeniu młynka niż sam kołnierzyk zlewu. Nie używać uszczelniaczy do gwintów.
- **Niebezpieczeństwo uszkodzenia mienia.** Jeżeli podłączona zostaje zmywarka, to **KONIECZNE** jest wyłączenie zatyki wlotu ze zmywarki w przeciwnym razie może dojść do przelania zmywarki. Zob. kroki 11 lub 16.

## Demonta zainstalowanego młynka

Jeśli wymieniasz zainstalowany młynek, przejdź do kroku 1.

Jeśli nie jest zainstalowany aden młynek, odetnij zasilanie elektryczne na odłączniku lub w skrzynce bezpiecznikowej, rozłącz odprężenie zlewu i przejdź do kroku 8.

1. Odetnij zasilanie elektryczne na odłączniku lub w skrzynce bezpiecznikowej. Odłącz odprężenie zlewu od przewodu spustu odpadów. Odłącz zmywarkę, jeśli jest podłączona do młynka.
2. Pocięży młynek, wsuń koniec elementu (19) po właściwej stronie ucha montażowego, po czym przejdź. Młynek swobodnie opadnie.

### ⚠ NIEBEZPIECZEZTWO UPADKU

3. Odłącz kabel, zdemontuj zespół. Starego kabla zasilającego nie wolno używać ponownie. Konieczne jest użycie kabla zasilającego InSinkErator EZ Connect. Przejdź do kroku 4.

## Demonta mocowania do zlewu

4. Jeśli nowe mocowanie do zlewu jest identyczne, możesz zdecydować się przejść do kroku 11.  
*Uwaga: W przypadku zlewów o grubości powyżej 9,5 mm trzeba zastąpić istniejące rubany 38,1 mm (9) rubanami 28,6 mm (10). Zob. krok 11.*  
Za pomocą rubnika ta płaskiego złuzuj 3 rubany na zespole mocowania.
5. Podważ (11) płaskim rubnikiem.
6. Wyjmij kołnierz ze zlewu. Usuń ze zlewu starą uszczelkę lub masę mocującą za pomocą nożyka do masy.

## Montaż kołnierza do zlewu

- 7.1 **Modele z gumową uszczelką:**  
Założenie (4) na (5\*) i mocno wcisnąć w otwór zlewu.

### UWAGA

**Niebezpieczeństwo uszkodzenia mienia.** Nieprawidłowy montaż może być przyczyną krótko- lub długotrwałego wycieku wody.

*\*Dotyczy tylko określonych modeli.*

- 7.2 **Modele bez gumowej uszczelki:**  
Równomiernie rozprowadź kropelki silikonowegouszczelniającego dokoła elementu (4).  
Mocno wcisnąć (4) w odprężenie zlewu.

### UWAGA

**Niebezpieczeństwo uszkodzenia mienia.** Nieprawidłowy montaż może być przyczyną krótko- lub długotrwałego wycieku wody.

## Zakładanie zespołu mocującego

8. Umieść na kołnierzu zlewu cięgi np. młynek, aby go unieruchomić. Podłóż rącznik, aby nie poruszył zlewu.
9. Wstaw (6), (7) i (8). Przytrzymaj, wstawiając (11). Rozciągnij (11) mocno nad głowę, aby element zatrzasnął się na swoim miejscu.

10. Dokręć (9) równomiernie i mocno na kołnierzu oporowym. Użyj elementu (10), jeśli grubość zlewu przekracza 9,5 mm.

Do zlewów o grubości powyżej 19 mm wymagany jest artykuł Extended Sink Flange (FLG-SSLG), sprzedawany osobno.



**Model S460** Wykorzystanie przyłaczki zmywarki przejdź do kroku 11.

**Model S460** Instalacja BEZ podłączenia zmywarki kontynuuj od kroku 12.

## Wyjmowanie zatyczki wlotu ze zmywarki (model S460)

**WAŻNE: Tylko przy podłączeniu zmywarki**

### UWAGA

Podłączenie zmywarki bez wycięcia zatyczki wlotu ze zmywarki grozi tym, że dojdzie do przelania zmywarki.

11. Jeśli zostaje podłączona zmywarka, to trzeba wyjąć zatyczkę wlotu ze zmywarki.

### UWAGA

Zatyczki wlotu ze zmywarki nie mogą być założone z powrotem, po tym jak zostaje wypchnięta. Przekręć młynek na bok i wystukaj zatyczkę wlotu rubnikiem. Następnie wyczyść zatyczkę zwnięcia, posługując się szczypcami.

## Podłączenie wylotu powietrza do młynka (model S460)

12. Wsuń jeden koniec wylotu powietrza (23) na dzióbek przełącznika powietrza znajdujący się na spodniej stronie młynka. Przejdź do kroku 15.1 lub 15.2.



**Instalowanie akcesorium Cover Control:**  
Przejdź do Podłączenia instalacji Cover Control i dokończ instalację. Po zainstalowaniu Cover Control przejdź do kroku 15.1 lub 15.2 i dokończ instalowanie młynka.

*Uwaga: Cover Control nie jest dostępne na wszystkich rynkach.*



**Wszystkie modele oprócz S460:** Przejdź do kroku 13.

## Podłączenie zasilania elektrycznego (modele Next Gen)

### ⚠ PRZESTROGA

Kabel EZ Connect nie jest dołączony do młynka, trzeba go zakupić osobno. Nie wolno używać ponownie starego kabla zasilającego.

13. Wykręć (21) ze spodu młynka. Wstaw (22) wycięcie na spodzie młynka. Popchnij (22) do przodu, aby doprowadzić zasilanie do młynka.
14. Załóż (21) i dokręć przez (22) do spodu młynka.

## Instalowanie trójnika



Uwzględnij instrukcje **ST D**, je li zostało zainstalowane akcesorium **Cover Control**.

- 15.1** W wi kszo ci modeli (z14, 15 i 16 elementami): Wstaw (14) do wylotu spustowego młynka. Zamocuj zespół (15, 16) elementem (20).
- 15.2** W modelach z przeciwdrganiovym mocowaniem rury wylotowej (z16, 17 i 18 elementami): Wstaw (17) do wylotu spustowego młynka. Zamocuj (17) elementem (20). Wstaw (16) do (17) i zamocuj elementem (18).

## Wymowowanie zatyczki wlotu ze zmywarki (wszystkie modele oprócz S460)

WA NE: Tylko przy podł czaniu zmywarki

- 16.** Wstaw (19) do (13) i przekr o 90 w lewo aby zdj .

## Podł czanie młynka do zespołu mocowania

- 17.** Unosz c młynek za spód, zwiesi młynek poprzez dopasowanie 3 wypustów monta owych na elemencie (12) do krzywych na elemencie (8) i nieznaczne przekr czenie młynka w lewo.

### **▲OSTRZE ENIE**

Nie trzyma głowy ani innych cz ci ciała bezpo rednio pod młynkiem urz dzenie mo e spa podczas demonta u lub instalacji.

### **UWAGA**

**Niebezpieczne stwo uszkodzenia mienia:** Niedopasowanie wszystkich trzech wypustów monta owych na wszystkich krzywych i niezatrza ni cie ich za pro kiem grozi krótko- lub długotrwałym wyciekami wody.

- 18.** Za pomoc elementu (19) przekr ci (12) tak, aby wszystkie 3 wypusty monta owe zatrzasn ły si na pro kach krzywych. Przekr ci młynek w celu wyrównania rury wylotowej.
- 19.** Odklei odrywałn cz naklejki ze specyfikacj i umie ci w widocznym miejscu.

*Kod QR na naklejce ze specyfikacj daje dost p do rejestracji produktu oraz dodatkowych informacji o produkcji.*

## Podł czanie młynka do instalacji hydraulicznej

- 20.** Z powrotem wykona poł czenia (równie ze zmywark , oile dotyczy).

### **UWAGA**

**Niebezpieczne stwo uszkodzenia mienia:** Nieprawidłowy monta grozi wyciekami wody.

eby niebezpieczne stwo rozciekania było ograniczone, przewód odpływowy musi by odpowiednio nachylony (nie mniej ni 6,4 mm na 0,3 m odległo ci) mi dzy młynkiem a poł czeniem odpływu, z poł czeniem odpływu poło onym ni ej od spustu młynka. W przeciwnym razie mo e mie miejsce przedczesna korozja lub wyciek pod wpływem stoj cej wody w młynku.

W przypadku młynka wyposa onego w artykuł **Anti-Vibration Tailpipe Mount™** trzeba dopilnowa , aby mocowanie rury wylotowej nie było zgł te. Uzyskanie odpowiedniego dopasowania mo e wymaga przyci cia rury.

## Finalizacja monta u

- 21.** Je li preferowane jest inne wyko czenie: Przekr (24) w lewo, aby zdj zało one wyko czenie (24) i (25) z (26). Zało inne wyko czenie (24) i (25) na (26), po czym przekr (24) w prawo, aby zamocowa .
- 22.** Zainstaluj zespół (24, 25, 26) przez standardowy otwór zlewu.
- ALBO
- Zainstaluj zespół (24, 25, 26) przez blat, wiert c otwór o rednicy 33 mm. Umie (27) mi dzy zespołem (24, 25, 26) a wierzchem półki zlewu. Dokr (29) pod półk zlewu, aby uzyska wodoszczelno .
- \*\* Opcjonalny element (28) stosuje si do otworów zlewu o rednicy powy ej 33 mm. Umieszcza si go mi dzy półk zlewu a (27).*
- 23.** Wsu pozostał cz (22) w przypadku modelu Next Gen albo (23) w przypadku modelu S460 w spód (26).
- W przypadku modelu S460 podł cz do gniazdka ciennego.



Dla **Wszystkich modeli oprócz S460:** Przejd do kroku 24.

- 24.** Przymocuj (30) za pomoc (31) do ciany szafki w odległo ci 900 mm od młynka do rozdrabniania odpadków i gniazdka elektrycznego.
- 25.** Przymocuj (23) do dolnej cz ci (30). Podł cz wtyczk (30) do gniazdka elektrycznego.

## Kontrola szczelno ci

- 26.1** Aby sprawdzi szczelno , wstaw (3) w (4) i wci nij równomiernie do dołu, aby nast piło zatrza ni cie. Wstaw (1) w otwór zlewu, napełnij zlew wod , po czym wyjmij (1), aby opró ni i patrz pod zlew, czy woda nie przecieka. Z powrotem doprowad zasilanie elektryczne przez skrzynk bezpiecznikow albo odł cznik.

## Kontrola szczelno ci / Obsługa (ogranicznik Alba)\*

- 26.2** Aby sprawdzi szczelno , wstaw (3) w (4) i wci nij równomiernie do dołu, aby nast piło zatrza ni cie. Wstaw (2) w otwór zlewu, napełnij zlew wod , po czym unie (2) do otwarcia i opró nienia. Teraz patrz pod zlew, czy woda nie przecieka. Z powrotem doprowad zasilanie elektryczne przez skrzynk bezpiecznikow albo odł cznik.
- Obsługa z ogranicznikiem Alba polega na powolnym wprowadzaniu odpadów kuchennych do młynka z jednoczesnym ustawianiem (2) pionowo (tak aby woda mogła przepływa ) dla zminimalizowania hałasu i ewentualnego wyrzucania rozdrabnianego materiału.
- Po zako czeniu rozdrabniania wyl c młynek i puszcza wod przez kilka sekund, aby wypłuka przewód spustowy. (2) pełni równie funkcj ogranicznika w dolnym poło eniu.

# WA NE INSTRUKCJE BEZPIECZE STWA

## INSTRUKCJE DOTYCZ CE NIEBEZPIECZE STWA PO ARU, PORA ENIA PR DEM, ODNIESIENIA OBRA E ORAZ USZKODZENIA MIENIA

### INSTRUKCJE UZIEMIENIA

Dotyczy ka dego młynka z uziemieniem, podł czonego kablem:

Młynek musi by uziemiony, eby ograniczy niebezpiecze stwo pora enia pr dem w razie wadliwego działania lub utraty sprawno ci. Uziemienie zapewnia drog o najmniejszym oporze dla pr du elektrycznego. Wymagane jest u ycie kabla zasilaj cego InSinkErator EZ Connect. Wtyk musi by podł czony do gniazdka, które zostało poprawnie zainstalowane i uziemione zgodnie z lokalnie obowi zuj cymi przepisami.

### **⚠ OSTRZE ENIE**

Nieprawidłowe podł czenie przewodu uziemiaj cego urz dzenie mo e by przyczyn pora enia pr dem. Wrazie w tpiwo ci nale y powierzy wykwalifikowanemu serwisantowi lub elektrykowi z uprawnieniami kontrol tego, czy młynek jest prawidłowo uziemiony. Gdyby dostarczony kabel zasilaj cy EZ Connect nie pasował do gniazdka, nie nale y modyfikowa wtyku ani podejmowa prób wetkni cia do gniazdka na sił w takim wypadku nale y powierzy elektrykowi z uprawnieniami zainstalowanie odpowiedniego gniazdka.

- Młynek musi by prawidłowo uziemiony.
- Nie wolno mocowa przewodu uziemiaj cego do przewodów, którymi płynie gaz.
- Przed instalacj lub serwisem młynka nale y zawsze odł czy zasilanie.
- Kabel zasilaj cy EZ Connect musi zosta podł czony do uziemionego gniazdka z trzema otworami.
- Wszystkie przewody okablowania musz by zgodne z lokalnie obwi zuj cymi przepisami.
- Nie nale y z powrotem doprowadza zasilania elektrycznego na głównym panelu, dopóki nie zostan wykonane wszystkie niezb dne uziemienia.

### **UWAGA**

- Silikonowego szczeliwa nie wolno u ywa na adnym innym poł czeniu młynka ni sam kołnierz zlewu. Nie u ywa uszczelniaczy do gwintów. Takie produkty mogłyby zaszkodzi młynkowi i doprowadzi do uszkodzenia mienia.
- W przypadku modeli wyposa onych wartykuł Anti-Vibration Tailpipe Mount™ nieu ycie doł czonego spr ynowego zacisku w a skutkuje uniewa nieniem gwarancji.
- eby miał miejsce prawidłowy odpływ i w młynku nie stała woda, w przypadku prostego przewodu odpływowego poł czenie po drugiej stronie od wylotu młynka musi by poło one ni ej ni wylot młynka, a nie wy ej.

### **⚠ OSTRZE ENIE** Korzystaniu z urz dze elektrycznych musz zawsze towarzyszy podstawowe rodki ostro no ci, w tym:

- Przeczytaj wszystkie instrukcje, zanim zaczniesz korzysta z urz dzenia.
- eby ograniczy niebezpiecze stwo urazów, przy korzystaniu z urz dzenia w obecno ci dzieci konieczny jest uwa ny nadzór.
- Nie wolno wkłada do młynka palców ani dłoni.
- Zanim podejmiesz prób usuni cia zatoru lub wyj cia czego z młynka, zawsze najpierw przestaw przeł cznik zasilania do pozycji wył czenia.
- Podejmuj c prób usuni cia zatoru w młynku do odpadów, postu si doł czonym kluczem.
- Podejmuj c prób wyj cia czego z młynka do odpadów, postu si długimi szczypcami.
- Nie podawaj do młynka nast puj cych odpadów: muszle mał i ostryg, r ce rodki do odytkania odpływu i podobne, szkło, porcelana, plastik, metal (zakr tki, opiłki, puszki, uszylia), gor cy tłuszcz, inne gor ce cieczce.
- Podczas pracy młynka pozostawiaj ogranicznik na jego miejscu, tak eby mniejsze byo ryzyko, e co wpadnie do młynka.
- Produkt jest przeznaczony do usuwania normalnych odpadów kuchennych; umieszczanie w nim materiałów innych ni odpady kuchenne mo e by przyczyn odniesienia obra e i/lub uszkodzenia mienia.
- Nie podawaj do młynka nast puj cych substancji: farby, rozpuszczalniki, domowe rodki czyszcz ce i chemikalia, płyny samochodowe, plastikowa folia.
- ZAGRO ENIE PO AROWE: Nie przechowuj blisko młynka takich łatwopalnych przedmiotów jak szmaty, papier czy puszki z aerozolem. Nie przechowuj ani nie u ywaj w pobli u młynka benzyny ani adnych innych łatwopalnych cieczy i gazów.
- NIEBEZPIECZE STWO WYCIEKU: Regularnie sprawdzaj młynek i instalacj pod k tem ewentualnych wycieków te mogłyby doprowadzi do uszkodzenia mienia oraz odniesienia obra e .

### **INSTRUKCJE DOTYCZ CE OBSŁUGI\* (ZACHOWAJ TE INSTRUKCJE)**

1. Wyjmij ogranicznik z otworu zlewu i pu zimn wod .
2. Urucho młynek.
3. Powoli wprowadzaj odpady kuchenne do młynka.
4. Po zako czeniu rozdrabniania wył cz młynek, ale puszczaj wod jeszcze przez 10-15 sekund, eby wypłuka przewód odpływowy.

### **INSTRUKCJE DOTYCZ CE NIEBEZPIECZE STWA PO ARU, PORA ENIA PR DEM, ODNIESIENIA OBRA E ORAZ USZKODZENIA MIENIA**

## TAK POST PUJ

- Najpierw puszczaj zimną wodę, dopiero po tym uruchamiaj młynek. Zostawiaj zimną wodę jeszcze przez kilka sekund po zakończeniu rozdrabniania, tak aby płuka przewód odpływowy.
- Młynek rozdrabnia twarde materiały, takie jak drobne kostki, pestki owoców czy lód. Cz. stki wewn. trz. komory rozdrabniania daj. efekt szorowania.
- Mo esz rozdrabnia skórki cytrusów, aby odpływ miał przyjemniejszy zapach.
- Wrazie potrzeby używaj przeznaczonego do młynka środka czyszczącego, odtłuszczającego lub usuwającego zapachy, aby pozbyć się niepożądanego zapachu od nagromadzonego tłuszczu.

### UWAGA

Bez prawidłowego płukania młynka może się zepsuć i/lub może dojść do uszkodzenia mienia.

## TEGO NIE RÓB

- Nie wlewaj tłuszczu do młynka ani do żadnego innego odpływu. Tłuszcz może się gromadzić w rurach i powodować zatory. Usuwać tłuszcz w słoiku lub puszcze, ze śmietanami.
  - Nie puszczaj gorącej wody na czas rozdrabniania odpadów. Dozwolone jest puszczanie gorącej wody pomiędzy kolejnymi operacjami rozdrabniania.
  - Nie podawaj do młynka dużych ilości obierków z warzyw naraz. Zamiast tego puszczaj wodę, uruchamiaj młynek, a następnie podawaj obierki stopniowo.\*
  - Nie rozdrabniaj dużych ilości skorupki jajek lub włóknistych materiałów, takich jak liście kukurydzy czy karczochy, aby nie doprowadzić do zatkania odpływu.
  - Nie wyłączaj młynka, dopóki rozdrabnianie nie dobiegnie końca, wtedy słychać tylko dźwięk silnika i wody.
- \*W kwestii obsługi modułu Cover Control należało kierować się instrukcją do modułu Cover Control.

## INSTRUKCJE DOTYCZĄCE SAMODZIELNEJ KONSERWACJI

### CZYSZCZENIE MŁYNKA

Z biegiem czasu cz. stki wewn. mogą gromadzić się w komorze rozdrabniania i w przegrodzie. Nieprzyjemny zapach dobiegający z młynka zwykle jest oznaką nagromadzenia resztek.

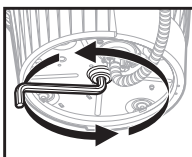
### Aby wyczyścić młynek:

- Umie ogranicznik w otworze zlewu i napełnij zlew do połowy, ciepłą wodą.
- Wymieszaj roztwór wody z proszkiem do pieczenia. Równocześnie uruchom młynek i wyjmij ogranicznik, aby wypłukać go z cz. stki.
- Wyjmij przegrodowy kołnierzyk do zlewu i umyj go ręcznie lub w zmywarce. Nie używaj młynka bez przegrodowego kołnierza do zlewu.

### USUWANIE ZATORU W MŁYNKU

Gdyby silnik zatrzymał się podczas korzystania z młynka, może to wskazywać na zatkanie młynka. Aby usunąć zator:

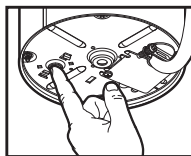
- Wyłącz młynek z zasilania.
- Wsuń jeden koniec dół cz. stki klucza w otwór po środku spodu młynka. Pracuj kluczem w jedną stronę, a następnie w drugą, aby wykonać kluczem jeden pełny obrót. Wyjmij klucz.
- Sięgnij do wnętrza młynka szczypcami i wyciągnij to, co w nim utknęło.



4.1 Młynek jest wyposażony w automatyczny wyłącznik przeciwnowierzący. Odczekaj 20 minut, a młynek ostygnie, zanim znowu go uruchomisz. (Gdyby silnik w dalszym ciągu nie pracował, sprawdź na tablicy, czy nie wybiło przerywacza lub bezpiecznika).



4.2 Odczekaj 3-5 minut, a silnik młynka ostygnie, po czym lekko naciśnij czerwony przycisk resetu na spodzie młynka. (Gdyby silnik w dalszym ciągu nie pracował, sprawdź na tablicy, czy nie wybiło przerywacza lub bezpiecznika).



## Informacja o gwarancji (Okres gwarancji w latach\*)

Gwarancja zależy od numeru seryjnego zespołu oraz daty instalacji. Do zweryfikowania gwarancji może być wymagany dowód zakupu lub instalacji.

Zarejestruj produkt na stronie <http://www.insinkerator-worldwide.com> i sprawdź, czy kwalifikujesz się do zakresu rozszerzonego. Okres gwarancji różni się w zależności od regionu.

### SERWIS

Gdyby konieczna była obsługa serwisowa, skontaktuj się z Autoryzowanym Centrum Serwisu InSinkErator albo z dystrybutorem, za którego pośrednictwem dokonano zakupu. Samodzielny demontaż młynka po jego zainstalowaniu i próba naprawy uniemożliwiają gwarancję, tak samo jak komercyjny wykorzystanie młynka.

Okresy gwarancji w latach, dla różnych modeli, są podane w tablicy poniżej.

Model	UE	MX	BZ	Korea	Indie
S460 SR/EC/RC	2	2	2		
Premium 550 SR	3	3	3	3	3
Premium 700 SR	4	4	4		
Evolution Plus 750 SR	5	5	5	5	5
Evolution Plus 1000 SR	6	6	6	6	
Premium 550 EC	2				
Premium 700 EC	2				
Evolution Plus 750 EC	3				
Evolution Plus 1000 EC	4				
Premium 550 RC	2				
Premium 700 RC	3				
Evolution Plus 750 RC	4				
Evolution Plus 1000 RC	5				

# Диспоузер пищевых отходов

Руководство по установке

in sink erator



Отсканируйте QR-код, чтобы посмотреть видеоролик по установке.

© InSinkErator, 2023. Все права защищены.

## Размеры

### Для моделей с изогнутой сливной трубкой

\* Расстояние от нижней части мойки до осевой линии выпускного отверстия диспоузера. При использовании мойки из нержавеющей стали это расстояние необходимо увеличить на 12,7 мм.

\*\* Длина сливной трубки от осевой линии выпускного отверстия диспоузера до конца сливной трубки.

\*\*\* Расстояние от нижней части мойки до сливной трубки должно быть не меньше 20–30 см.

**Примечание.** Размеры для модели с функцией Cover Control см. в документации к системе Cover Control

## Необходимые инструменты и материалы (не входят в комплект поставки)



### Перечень

- |                                |   |  |  |
|--------------------------------|---|--|--|
| 1. Пробка                      | 10. Винты длиной 28,6 мм                            | 17. Антивибрационное крепление для тройника                          | 25. Кнопка (в комплект поставки входят три кнопки с разной отделкой) |
| 2. Пробка Alba *               | 11. Стопорное кольцо                                | 18. Пружинный зажим  | 26. Корпус с резьбой   |
| 3. Защитный отражатель мойки   | 12. Нижнее монтажное кольцо                         | 19. Шестигранный ключ  | 27. Резиновая прокладка  |
| 4. Фланец мойки                | 13. Заглушка впускного штуцера посудомоечной машины | 20. Болты  | 28. Шайба из нержавеющей стали ***                                   |
| 5. Резиновая прокладка мойки * | 14. Прокладка для тройника                          | 21. Винт заземления  | 29. Пластиковая гайка  |
| 6. Картонная прокладка         | 15. Фланец  | 22. Сетевой шнур EZ Connect  | 30. Пневмовыключатель с трехпроводным сетевым шнуром **              |
| 7. Опорный фланец              | 16. Тройник   | 23. Пневмотрубка **  | 31. Винты длиной 19 мм **  |
| 8. Монтажное кольцо            |   | 24. Ободок (в комплект поставки входят три ободка с разной отделкой) |  |
| 9. Винты длиной 38,1 мм        |   |  |  |

\* Только для конкретных моделей

\*\* Входит в комплект поставки моделей Next Gen

\*\*\* Шайба из нержавеющей стали (заказывается дополнительно) необходима, если диаметр отверстия в мойке больше 33 мм

## \* ⚠ \* Информация по технике безопасности

### ⚠ ОПАСНО!

Эта надпись предупреждает об опасностях, которые (если их не предотвратить) приводят к смерти или тяжелым травмам.

### ⚠ ПРЕДУПРЕЖДЕНИЕ

Эта надпись предупреждает об опасностях, которые (если их не предотвратить) могут привести к смерти или тяжелым травмам.

### ⚠ ВНИМАНИЕ!

Эта надпись предупреждает об опасностях, которые (если их не предотвратить) могут привести к травмам небольшой или средней тяжести.

### ПРИМЕЧАНИЕ

Этой надписью обозначаются действия, не связанные с риском получения травм.

### ИНСТРУКЦИИ ПО ТЕХНИКЕ БЕЗОПАСНОСТИ

Этой (или аналогичной) надписью обозначаются инструкции и процедуры техники безопасности.

**⚠ ПРЕДУПРЕЖДЕНИЕ.** Внимательно изучите инструкции, помеченные этой надписью. Невыполнение инструкций, изложенных в руководствах по установке, эксплуатации и техническому обслуживанию, может привести к травмам, протечкам воды или повреждению имущества.

**⚠ ПРЕДУПРЕЖДЕНИЕ ОБ ОПАСНОСТИ ПОРАЖЕНИЯ ЭЛЕКТРИЧЕСКИМ ТОКОМ.**

Прежде чем приступить к установке диспоузера, отключите электропитание в электрощитке.

### ПРИМЕЧАНИЕ

• **Риск повреждения имущества.** Силиконовые герметики можно использовать только для фланца мойки. Не используйте герметики для резьбовых соединений.

• **Риск повреждения имущества.** При подсоединении посудомоечной машины **НЕОБХОДИМО** снять заглушку впускного штуцера. В противном случае посудомоечная машина может переполниться. См. действие 11 или 16.

## Демонтаж старого диспоузера

Если перед установкой диспоузера необходимо демонтировать старый диспоузер, перейдите к действию 1.

Если не нужно демонтировать старый диспоузер, выключите электропитание в электрощитке, отсоедините сливную трубку мойки и перейдите к действию 8.

1. Отключите электропитание в электрощитке. Отсоедините сифон от сливной трубки. Если к диспоузеру подсоединена посудомоечная машина, отсоедините ее.
2. Поддерживая диспоузер, вставьте конец детали (19) в правую часть монтажной проушины и поверните ее. Диспоузер должен отсоединиться.

### ▲ ПРЕДУПРЕЖДЕНИЕ ОБ ОПАСНОСТИ ПАДЕНИЯ ПРЕДМЕТОВ

3. Отсоедините сетевой шнур и извлеките диспоузер. Запрещено использовать старый сетевой шнур для нового диспоузера. Необходимо использовать сетевой шнур InSinkErator EZ Connect. Перейдите к действию 4.

## Демонтаж системы крепления к мойке

4. Если для нового диспоузера предполагается использовать старый сборочный узел крепления, можно сразу перейти к действию 11.

**Примечание.** Если толщина материала мойки больше 9,5 мм, то вместо имеющихся винтов длиной 38,1 мм (9) необходимо использовать винты длиной 28,6 мм (10). См. действие 11.

Шлицевой отверткой ослабьте три винта на сборочном узле крепления.

5. Шлицевой отверткой подденьте деталь (11).
6. Снимите фланец с мойки. Шпателем снимите старую прокладку или сантехническую шпательку.

## Установка фланца мойки

- 7.1 Для моделей с резиновой прокладкой: установите деталь (4) поверх детали (5 \*) и плотно прижмите ее к отверстию в мойке.

### ПРИМЕЧАНИЕ

**Риск повреждения имущества.** При неправильной сборке рано или поздно может возникнуть протечка воды.

\* Только для конкретных моделей.

- 7.2 Для моделей без резиновой прокладки: равномерно нанесите небольшое количество силиконового герметика на деталь (4).  
Плотно вставьте деталь (4) в сливное отверстие мойки.

### ПРИМЕЧАНИЕ

**Риск повреждения имущества.** При неправильной сборке рано или поздно может возникнуть протечка воды.

## Подсоединение сборочного узла крепления

8. Чтобы зафиксировать фланец мойки, положите на него тяжелый предмет, например диспоузер. Чтобы не поцарапать мойку, воспользуйтесь полотенцем.
9. Вставьте детали (6), (7) и (8). Вставляя деталь (11), удерживайте эти детали на месте.  
Разожмите деталь (11) и установите ее таким образом, чтобы она зашелкнулась на своем месте.

10. Равномерно и надежно затяните детали (9) на опорном фланце. Если толщина материала мойки больше 9,5 мм, используйте деталь (10).

Если толщина материала мойки больше 19 мм, потребуется фланец мойки увеличенного размера (FLG-SSLG), который можно приобрести отдельно.



Для модели S460: если нужно подключить диспоузер к посудомоечной машине, перейдите к действию 11.

Для модели S460: если НЕ нужно подключать диспоузер к посудомоечной машине, перейдите к действию 12.

## Демонтаж заглушки впускного штуцера посудомоечной машины (для модели S460)

**ВАЖНО! Только при подсоединении к посудомоечной машине**

### ПРИМЕЧАНИЕ

Если подсоединить диспоузер к посудомоечной машине, не сняв заглушку впускного штуцера, посудомоечная машина может переполниться.

11. При подсоединении диспоузера к посудомоечной машине снимите заглушку впускного штуцера посудомоечной машины.

### ПРИМЕЧАНИЕ

Если выбить заглушку впускного штуцера посудомоечной машины, ее невозможно будет вставить обратно. Поверните диспоузер в сторону и отверткой выбейте заглушку сливного отверстия. Пассатижами извлеките заглушку с внутренней части диспоузера.

## Подсоединение пневмотрубки к диспоузеру (для модели S460)

12. Наденьте один конец пневмотрубки (23) на патрубок пневмовыключателя, расположенный в нижней части диспоузера. Перейдите к действию 15.1 или 15.2.



**Установка системы Cover Control:** выполните установку согласно руководству по установке системы Cover Control. После установки системы Cover Control перейдите к действию 15.1 или 15.2, чтобы завершить установку диспоузера.

**Примечание.** Система Cover Control доступна не на всех рынках.



Для всех моделей, кроме S460: перейдите к действию 13.

## Подключение электропитания (для моделей Next Gen)

### ▲ ВНИМАНИЕ!

Если в комплекте поставки диспоузера нет шнура EZ Connect, необходимо приобрести его. Запрещено использовать сетевой шнур от старого диспоузера.

13. Снимите деталь (21) с нижней части диспоузера. Вставьте деталь (22) в вырез в нижней части диспоузера. Для подсоединения электропитания к диспоузеру надавите на деталь (22).
14. Установите деталь (21) через деталь (22) в нижнюю часть диспоузера и затяните ее.

## Установка тройника



Если вы установили систему Cover Control, выполните указанные [ЗДЕСЬ инструкции](#).

- 15.1** Для большинства моделей (с компонентами 14, 15 и 16):  
Вставьте деталь (14) в сливное отверстие диспозуера. Закрепите узел из деталей (15 и 16) деталью (20).
- 15.2** Для моделей с антивибрационным креплением Anti-Vibration Tailpipe Mount (с компонентами 16, 17 и 18):  
Вставьте деталь (17) в сливное отверстие диспозуера. Закрепите деталь (17) деталью (20). Вставьте деталь (16) в деталь (17) и закрепите их деталью (18).

## Демонтаж заглушки впускного штуцера посудомоечной машины (для всех моделей, кроме S460)

**ВАЖНО!** Только при подсоединении к посудомоечной машине

- 16.** Вставьте деталь (19) в деталь (13) и, повернув ее на 90° против часовой стрелки, снимите деталь (13).

## Подсоединение диспозуера к сборочному узлу крепления

- 17.** Подняв диспозуер за нижнюю часть, подвесьте его, совместив три монтажных проушины на детали (12) с направляющими на детали (8). После этого немного поверните диспозуер против часовой стрелки.

### ⚠ ПРЕДУПРЕЖДЕНИЕ

Не располагайте голову и другие части тела под диспозуером, так как в процессе демонтажа или установки диспозуер может упасть.

### ПРИМЕЧАНИЕ

**Риск повреждения имущества.** Если не установить должным образом все три монтажные проушины на направляющих и не зафиксировать их за выступами направляющих, рано или поздно может возникнуть протечка воды.

- 18.** С помощью детали (19) поверните деталь (12) так, чтобы все три монтажные проушины защелкнулись за выступами направляющих. Поворачивая диспозуер, совместите его со сливной трубкой.
- 19.** Отсоедините съемную часть таблички с характеристиками и наклейте ее на видное место.

*Чтобы зарегистрировать диспозуер и получить дополнительную информацию о нем, отсканируйте QR-код на табличке с характеристиками.*

## Подсоединение диспозуера к канализационной системе

- 20.** Подключите диспозуер к канализационной системе (и посудомоечной машине, если она используется).

### ПРИМЕЧАНИЕ

**Риск повреждения имущества.** При неправильной сборке может возникнуть протечка воды.

Чтобы уменьшить вероятность протечки, расположите сливную трубку под правильным углом наклона (не менее 6,4 мм на каждые 0,3 м длины) по направлению от диспозуера к канализационной системе. Точка подключения к канализационной системе должна быть ниже сливного отверстия диспозуера. Если не сделать это, в диспозуере будет оставаться вода, и это приведет к преждевременной коррозии или протечке воды.

При использовании диспозуеров с антивибрационным креплением Anti-Vibration Tailpipe Mount™, расположите сливную трубку таким образом, чтобы она не была изогнута. Чтобы правильно подогнать трубку, возможно, придется обрезать ее.

## Окончательная установка

- 21.** Если нужна другая отделка: повернув деталь (24) против часовой стрелки, снимите детали (24) и (25) с детали (26). Установите детали с другой отделкой (24) и (25) на деталь (26) и закрепите их, повернув деталь (24) по часовой стрелке.
- 22.** Установите сборочный узел крепления (позиции 24, 25 и 26) в стандартное отверстие в мойке.  
—ИЛИ—  
Установите сборочный узел крепления (24, 25 и 26) в дно мойки, просверлив отверстие диаметром 33 мм. Разместите деталь (27) между узлом (24, 25 и 26) и верхней частью дна мойки. Затяните деталь (29) под дном мойки, чтобы создать герметичное соединение.  
*\*\* Если диаметр отверстия в мойке больше 33 мм, используйте дополнительно заказываемую деталь (28). Разместите ее между дном мойки и деталью (27).*
- 23.** Вставьте свободный конец детали (22) модели Next Gen или детали (23) модели S460 в нижнюю часть детали (26). Модель S460 необходимо подсоединять к электрической розетке.



Для **всех моделей, кроме S460**. Перейдите к действию 24.

- 24.** С помощью винтов (31) закрепите пневмовыключатель (30) на стенке шкафа в пределах 90 см от диспозуера и электрической розетки.
- 25.** Прикрепите пневмотрубку (23) к нижней части пневмовыключателя (30). Подключите пневмовыключатель (30) к электрической розетке.

## Проверка на отсутствие протечек

- 26.1** Чтобы проверить, нет ли протечек, вставьте деталь (3) в деталь (4) и, равномерно нажимая на нее, защелкните ее на своем месте. Вставьте деталь (1) в отверстие мойки, наполните мойку водой и снимите деталь (1) со сливного отверстия. После этого посмотрите под мойку и проверьте, не протекает ли вода. Включите электропитание в электрощитке.

## Проверка на отсутствие протечек и эксплуатация (с пробкой Alba) \*

- 26.2** Чтобы проверить, нет ли протечек, вставьте деталь (3) в деталь (4) и, равномерно нажимая на нее, защелкните ее на своем месте. Вставьте деталь (2) в отверстие мойки, наполните мойку водой и снимите деталь (2) со сливного отверстия. После этого посмотрите под мойку и проверьте, не протекает ли вода. Включите электропитание в электрощитке.

Чтобы при использовании диспозуера с пробкой Alba шум был минимальным, а остатки пищи не выбрасывались из диспозуера обратно в мойку, подавайте остатки пищи в диспозуер небольшими порциями, а деталь (2) переместите в верхнее положение (чтобы через нее протекала вода).

По завершении измельчения остатков пищи выключите диспозуер и в течение нескольких секунд пропустите через него поток воды, чтобы промыть сливную трубку. В нижнем положении деталь (2) действует как пробка.

# ВАЖНЫЕ ИНСТРУКЦИИ ПО ТЕХНИКЕ БЕЗОПАСНОСТИ

## ИНСТРУКЦИИ ПО ПРЕДОТВРАЩЕНИЮ ПОЖАРА, УДАРА ЭЛЕКТРИЧЕСКИМ ТОКОМ, ТРАВМ И ПОВРЕЖДЕНИЯ ИМУЩЕСТВА

### ИНСТРУКЦИИ ПО ЗАЗЕМЛЕНИЮ ДИСПОУЗЕРА

Для всех диспоузеров с заземлением, подключаемых сетевым шнуром:

заземлите диспоузер, чтобы в случае его неисправности уменьшить риск поражения электрическим током. Заземление — это путь с наименьшим сопротивлением для электрического тока. Необходимо использовать сетевой шнур InSinkErator EZ Connect. Вилку сетевого шнура необходимо вставить настенную розетку, правильно установленную и заземленную согласно всем местным нормам.

#### ▲ ПРЕДУПРЕЖДЕНИЕ

Если неправильно подключить проводник для заземления оборудования, это может привести к поражению электрическим током. Если возникли сомнения в правильности заземления диспоузера, проконсультируйтесь с квалифицированным электриком или сотрудником сервисной службы. Если входящий в комплект поставки сетевой шнур EZ Connect не подходит к имеющейся розетке, не заменяйте вилку сетевого шнура и не пытайтесь вставить ее в розетку с усилием. Установите нужную розетку, воспользовавшись услугами квалифицированного электрика.

- Диспоузер должен быть правильно заземлен.
- Запрещено подключать провод заземления к газовым трубам.
- Перед установкой или техническим обслуживанием диспоузера отключайте его от электросети.
- Вилку сетевого шнура EZ Connect необходимо вставить в трехконтактную розетку с заземлением.
- Все электрические соединения необходимо выполнять согласно действующим электротехническим нормам и правилам.
- Не подавайте напряжение на сервисную панель, не выполнив должным образом заземление.

#### ПРИМЕЧАНИЕ

- Силиконовый герметик можно использовать только на фланце мойки. Его нельзя использовать на других деталях. Не используйте герметики для резьбовых соединений. При невыполнении этого требования можно повредить диспоузер и, соответственно, другое имущество.
- Если для моделей с антивибрационным креплением Anti-Vibration Tailpipe Mount™, не использовать подпружиненный зажим шланга (входящий в комплект поставки), гарантия будет аннулирована.
- Чтобы при использовании прямой сливной трубки вода правильно проходила через нее и не застаивалась в диспоузере, место соединения трубки с канализационной системой (на другом конце от выходного отверстия диспоузера) должно быть расположено ниже выходного отверстия диспоузера.

**▲ ПРЕДУПРЕЖДЕНИЕ.** При использовании электроприборов необходимо всегда соблюдать основные меры техники безопасности, в том числе указанные ниже.

- Прежде чем использовать электроприбор, прочитайте все соответствующие инструкции.
- Чтобы уменьшить риск получения травм, проявляйте особую осторожность при использовании электроприбора в присутствии детей.
- Не вставляйте пальцы и руки в диспоузер.
- Прежде чем очистить засоренный диспоузер или извлечь из него какой-либо предмет, обязательно выключите электропитание диспоузера.
- Разрыхлить скопившиеся в диспоузере остатки пищи можно с помощью шестигранного ключа.
- Извлечь посторонние предметы из диспоузера можно щипцами или пассатижами с длинными ручками.
- Не помещайте в диспоузер следующие предметы и вещества: раковины моллюсков, щелочные средства для прочистки труб и аналогичные вещества, стеклянные, фарфоровые, пластиковые и металлические предметы (например, крышечки от бутылок, стальную дробь, консервные банки или посуду), горячий жир и другие горячие жидкости.
- Если вы не используете диспоузер, закройте его отверстие пробкой, чтобы в него не попадали посторонние предметы.
- Диспоузер предназначен для утилизации обычных пищевых отходов в домашних условиях. Если в диспоузер попадут другие предметы или вещества, это может привести к травмам и повреждению имущества.
- Не утилизируйте в диспоузер следующие вещества и предметы: краски, растворители, бытовые чистящие средства и химикаты, жидкости, применяемые в автомобилях, и пластиковую упаковку.
- **ОПАСНОСТЬ ПОЖАРА.** Не храните рядом с диспоузером легковоспламеняющиеся предметы и вещества, например лоскуты ткани, бумагу или аэрозоли. Не храните и не используйте рядом с диспоузером бензин и другие горючие жидкости, а также вещества с легковоспламеняющимися парами.
- **РИСК ПРОТЕЧЕК ВОДЫ.** Регулярно осматривайте диспоузер и водопроводно-канализационную арматуру на отсутствие утечек. В противном случае можно повредить имущество или получить травмы.

#### РУКОВОДСТВО ПО ЭКСПЛУАТАЦИИ \* (СОХРАНИТЕ ЭТО РУКОВОДСТВО)

1. Извлеките пробку из сливного отверстия в мойке и включите холодную воду.
2. Включите диспоузер.
3. Поместите остатки пищи в диспоузер небольшими порциями.
4. По завершении измельчения остатков пищи выключите диспоузер. Воду выключите только через 10–15 с, чтобы она промыла сливную трубку.

#### ИНСТРУКЦИИ ПО ПРЕДОТВРАЩЕНИЮ ПОЖАРА, УДАРА ЭЛЕКТРИЧЕСКИМ ТОКОМ, ТРАВМ И ПОВРЕЖДЕНИЯ ИМУЩЕСТВА



## СЛЕДУЕТ...

- Сначала включайте холодную воду, а затем диспоузер. По завершении измельчения остатков пищи не выключайте воду несколько секунд, чтобы она промыла сливную трубку.
- Измельчать некоторые твердые предметы, например небольшие кости, косточки фруктов и лед. Твердые частицы, попадающие в камеру измельчения, очищают ее.
- Измельчать кожуру цитрусовых фруктов, чтобы устранять неприятные запахи из сливного отверстия.
- При необходимости использовать средства для очистки, обезжиривания или дезодорирования диспоузера, чтобы устранить неприятные запахи, вызванные скоплениями жира.

### ПРИМЕЧАНИЕ

Если не промывать диспоузер должным образом, можно повредить его и, соответственно, другое имущество.

## НЕЛЬЗЯ...

- Не сливайте масло и жир в диспоузер и другие сливные отверстия. Они могут скапливаться в трубах и засорять их. Сливайте жир в стеклянные или жестяные банки и утилизируйте их с обычным мусором.
  - При измельчении остатков пищи не используйте горячую воду. Сливную горячую воду в диспоузер можно, только если он в это время не измельчает остатки пищи.
  - Не заполняйте диспоузер одновременно большим количеством очистков от овощей. Включите воду и диспоузер, а затем подавайте в него очистки небольшими порциями. \*
  - Не измельчайте большие объемы яичной скорлупы, волокнистых материалов, например кукурузной шелухи, артишоков и т. д., во избежание возможного засора сливной трубы.
  - Не выключайте воду или диспоузер до завершения измельчения, при этом должен быть слышен шум работающего двигателя и бегущей воды.
- \* Владелец диспоузеров с функцией Cover Control следует изучить руководство по эксплуатации системы Cover Control.

## РУКОВОДСТВО ПО САМОСТОЯТЕЛЬНОМУ ТЕХНИЧЕСКОМУ ОБСЛУЖИВАНИЮ ДИСПОУЗЕРА

### ОЧИСТКА ДИСПОУЗЕРА

С течением времени частицы жира/пищи могут скапливаться в камере измельчения и защитном отражателе, вызывая неприятный запах.

### Для очистки диспоузера:

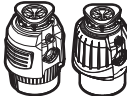
1. Вставьте пробку в отверстие мойки и наполовину заполните мойку теплой водой.
2. Размешайте в воде раствор пищевой соды. Включите диспоузер и извлеките пробку из мойки, чтобы смыть скопившиеся частицы пищи.
3. Извлеките защитный отражатель мойки и очистите его вручную либо в посудомоечной машине. Не используйте диспоузер со снятым защитным отражателем мойки.

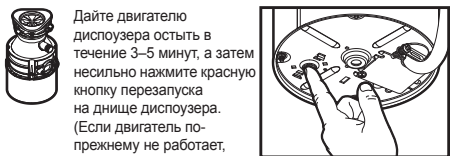
### УСТРАНЕНИЕ ЗАКЛИНИВАНИЯ ДИСПОУЗЕРА

Если во время работы диспоузера остановился его двигатель, то, возможно, диспоузер заклинило. Устранение заклинивания:

1. Отключите питание диспоузера и перекройте воду.
2. Вставьте конец шестигранного ключа в центральное отверстие в нижней части диспоузера. Перемещайте шестигранный ключ в разные стороны, пока он не совершит один полный оборот. Извлеките шестигранный ключ.
3. Достаньте посторонние предметы при помощи клещей с длинными ручками.



- 4.1  Диспоузер оснащен автоматическим выключателем, срабатывающим при перегрузке. Прежде чем снова включить диспоузер, дайте ему остыть в течение 20 минут. (Если двигатель по-прежнему не работает, на сервисной панели проверьте, не сработали ли автоматические выключатели и не перегорели ли плавкие предохранители.)

- 4.2  Дайте двигателю диспоузера остыть в течение 3–5 минут, а затем несильно нажмите красную кнопку перезапуска на дне диспоузера. (Если двигатель по-прежнему не работает, на сервисной панели проверьте, не сработали ли автоматические выключатели и не перегорели ли плавкие предохранители.)

## Сведения о гарантии (длительность гарантийного периода\*)

Дату окончания гарантийного периода определяют по заводскому номеру изделия и дате его установки. Для проверки срока действия гарантии может потребоваться предъявить квитанцию о приобретении или установке изделия.

Зарегистрируйте приобретенное изделие по адресу <http://www.insinkerator-worldwide.com> и узнайте, действует ли для него увеличенный гарантийный период. Срок гарантии зависит от региона продаж изделия.

### ОБСЛУЖИВАНИЕ

Если требуется выполнить обслуживание, обратитесь в AЦ InSinkEratop или к дилеру. Гарантия аннулируется, если после установки диспоузера он был демонтирован для самостоятельного ремонта либо его использовали в коммерческих целях.

Перечень моделей и гарантийные сроки для них указаны в приведенной ниже таблице.

Модель	ЕС	Мексика	Бразилия	Корея	Индия
S460 SR/EC/RC	2	2	2		
Premium 550 SR	3	3	3	3	3
Premium 700 SR	4	4	4		
Evolution Plus 750 SR	5	5	5	5	5
Evolution Plus 1000 SR	6	6	6	6	
Premium 550 EC	2				
Premium 700 EC	2				
Evolution Plus 750 EC	3				
Evolution Plus 1000 EC	4				
Premium 550 RC	2				
Premium 700 RC	3				
Evolution Plus 750 RC	4				
Evolution Plus 1000 RC	5				

# 주방용 오물분쇄기

설치 설명서



설치 영상을 보려면 QR 코드를 스캔하세요.

©2023 All rights reserved.

## 치수

- 곡선 배출관

\*싱크대 바닥부터 분쇄기 출구 중심선까지의 거리. 스테인리스 스틸 싱크대 사용 시 12.7mm 추가.

\*\*분쇄기 출구 중심선에서 테일 파이프 말단까지 이어지는 테일 파이프의 길이.

\*\*\*싱크볼 바닥부터 배수관까지의 거리는 최소 20cm~30cm.

참고: Cover Control 모델 치수는 Cover Control 참조

## 기자재 필요(미포함)



### 포함 사항

- |               |                  |                      |                           |
|---------------|------------------|----------------------|---------------------------|
| 1. 스토퍼        | 9. 38.1mm 나사     | 17. 진동방지 Y형관 마운트     | 25. 푸시 버튼(마감 처리 3종)       |
| 2. Alba 스토퍼*  | 10. 28.6mm 나사    | 18. 스프링 클램프          | 26. 나사산 본체                |
| 3. 싱크 배플      | 11. 스냅 링         | 19. 렌치               | 27. 고무 개스킷                |
| 4. 싱크 플랜지     | 12. 하부 장착 링      | 20. 볼트               | 28. 스테인리스 스틸 와셔***        |
| 5. 고무 싱크 개스킷* | 13. 식기세척기 입력 플러그 | 21. 연삭 나사            | 29. 플라스틱 너트               |
| 6. 섬유 개스킷     | 14. Y형관 개스킷      | 22. EZ Connect 전원 코드 | 30. 3선 전원 코드가 달린 에어 스위치** |
| 7. 백업 플랜지     | 15. 플랜지          | 23. 에어 튜브**          | 31. 19mm 나사**             |
| 8. 장착 링       | 16. Y형관          | 24. 베젤(마감 처리 3종)     |                           |

\*특정 모델 한정

\*\*Next Gen 모델에 포함

\*\*\*싱크대 개구부가 33mm보다 큰 경우에는 옵션 스테인리스 스틸 와셔 사용

## \*⚠\* 안전 정보

- ⚠ 위험** 피하지 않으면 사망이나 중상으로 이어질 위험한 상황을 나타냅니다.
- ⚠ 경고** 피하지 않으면 사망이나 중상으로 이어질 수 있는 위험한 상황을 나타냅니다.
- ⚠ 주의** 피하지 않으면 중경상으로 이어질 수 있는 위험한 상황을 나타냅니다.
- 공지** 인체 부상과 관련 없는 사항을 언급할 때 사용됩니다.
- 안전지침** 표지판(또는 이에 상응하는 것)은 구체적인 안전 관련 지침이나 절차를 나타냅니다.

**⚠ 경고** 지침을 주의 깊게 읽으십시오. 설치, 조작 및 사용자 유지보수 지침을 따르지 않으면 신체 부상, 누수 또는 재산 피해로 이어질 수 있습니다.

**⚠ 경고 - 감전 위험**  
설치 시작 전에 두꺼비집에서 전원을 끄십시오.

**공지**

- **재산 피해 위험.** 싱크 플랜지 이외의 분쇄기 연결 시 실리콘 코크를 사용하지 마십시오. 나사산 실란트를 사용하지 마십시오.
- **재산 피해 위험.** 식기세척기를 연결하는 경우, 식기세척기 입력 플러그를 반드시 제거해야 합니다. 그렇지 않을 경우 식기세척기에 물이 넘칠 수 있습니다. 11단계나 16단계를 참조하십시오.

## 기존 분쇄기 제거하기

기존 분쇄기를 교체하려면 **1단계**부터 진행합니다.

기존 분쇄기가 없는 경우, 차단기나 두꺼비집에서 전원을 끄고 싱크대 배수구를 분리한 후에 **8단계**로 건너뛴니다.

1. 차단기나 두꺼비집에서 전원을 끕니다. 폐수 배출관에서 배수 트랩을 분리합니다. 분쇄기에 식기세척기가 연결되어 있으면 분리합니다.
2. 분쇄기를 떠받치고 (19)의 끝부분을 장착 러그 오른쪽에 삽입한 다음 돌립니다. 분쇄기가 부드럽게 돌아갑니다.

### ▲ 경고 - 낙하 위험

3. 코드를 뽑아 장치를 제거합니다. 반드시 기존 전원을 재사용해야 합니다. 반드시 InSinkErator EZ Connect 전원 코드를 사용해야 합니다. **4단계**로 이동합니다.

## 싱크 마운트 제거

4. 새 분쇄기 마운팅 어셈블리가 동일한 경우 **11단계**로 건너뛴 수도 있습니다.

**참고:** 9.5mm보다 두꺼운 싱크대는 기존의 38.1mm 나사(9)를 28.6mm 나사(10)로 교체해야 합니다. **11단계를 참조하십시오.**

일차 드라이버를 사용하여 마운팅 어셈블리에서 나사 3개를 풀니다.

5. 일차 드라이버로 (11)을 비집어 엽니다.
6. 싱크대에서 플랜지를 제거합니다. 퍼티 나이프를 사용하여 낡은 가스켓이나 배관 퍼티를 싱크대에서 제거합니다.

## 싱크 플랜지 설치하기

- 7.1 고무 개스킷을 사용하는 모델:  
(4)를 (5\*) 위에 끼우고 싱크대 개구부 안에 단단하게 고정합니다.

### 공지

**재산 피해.** 제대로 조립하지 않으면 장/단기 누수 위험이 있습니다.

\*특정 모델 한정.

- 7.2 고무 개스킷을 사용하지 않는 모델:  
(4) 주변에 실리콘 코크 한 방울을 고르게 바릅니다.  
(4)를 싱크대 배수구 안으로 꼭 눌러 넣습니다.

### 공지

**재산 피해.** 제대로 조립하지 않으면 장/단기 누수 위험이 있습니다.

## 마운팅 어셈블리 장착하기

8. 분쇄기 등의 무게추를 싱크 플랜지 위에 놓고 제 자리에 고정합니다. 싱크대가 굽히지 않도록 수건을 사용합니다.
9. (6), (7), (8)을 삽입합니다. (11)을 삽입하는 동안 제 자리에 고정합니다.  
(11)을 당겨 열고 제 자리에 끼워질 때까지 세게 누릅니다.

10. (9)를 백업 플랜지에 균일하고 단단하게 조입니다. 싱크대 두께가 9.5mm 이상인 경우 (10)을 사용합니다.

싱크대 두께가 19mm보다 두꺼울 때는 연장형 싱크 플랜지(FLG-SSLG)가 필요한데, 이는 별도 판매됩니다.



**S460 모델**의 경우, 식기세척기를 연결하려면 11단계로 이동합니다.

**S460 모델**의 경우, 식기세척기를 연결하지 않으려면 12단계로 이동합니다.

## 식기세척기 입력 플러그 제거

(S460 모델)

중요: 식기세척기를 연결할 때만 해당

### 공지

식기세척기 입력 플러그를 제거하지 않고 식기세척기를 연결하면 식기세척기에 물이 넘칠 수 있습니다.

11. 식기세척기를 연결하려면 식기세척기 입력 플러그를 제거합니다.

### 공지

해제한 식기세척기 입력 플러그는 다시 연결할 수 없습니다. 분쇄기를 앞으로 돌려놓고 드라이버로 배수 플러그를 해제합니다. 플라이어로 분쇄기 안쪽의 플러그를 제거합니다.

## 분쇄기에 에어 튜브 연결하기

(S460 모델)

12. 분쇄기 밑바닥에 위치한 에어 스위치 홀통 위로 에어 튜브(23) 한쪽 끝을 밀니다. 15.1 단계나 15.2 단계로 이동.



**Cover Control 부속품 설치:**

**Cover Control 설치 안내서**로 이동하여 설치를 완료합니다. Cover Control을 설치했으면 15.1 단계나 15.2 단계로 이동하여 분쇄기 설치를 완료합니다.

**참고:** 모든 시장에서 Cover Control을 이용할 수 있는 것은 아닙니다.



**S460 이외의 모든 모델:**  
13단계로 이동합니다.

## 전기 공급장치 연결하기

(Next Gen 모델)

### ▲ 주의

EZ Connect 코드가 분쇄기와 함께 제공되지 않을 경우에는 별도로 구매해야 합니다. 기존 전원 코드를 재사용하지 마십시오.

13. 분쇄기 하단에서 (21)을 제거합니다. (22)를 분쇄기 하단 구멍에 삽입합니다. (22)를 앞으로 밀어서 분쇄기에 전원을 연결합니다.
14. (21)을 (22)에 통과시켜 분쇄기 하단 안에 설치하고 조입니다.

## Y형관 설치하기



**Cover Control 부속품**을 설치했을 경우에는 **여기에서** 재결합 지침을 확인하십시오.

**15.1** 대부분의 모델(14, 15 및 16번 구성품이 있는 모델): (14)를 분쇄기 방수구에 삽입합니다. (20)으로 (15, 16) 어셈블리를 고정합니다.

**15.2** 진동 방지 테일 파이프 마운트 탑재 모델(16, 17 및 18 구성품이 있는 모델): (17)을 분쇄기 방수구에 삽입합니다. (20)으로 (17)을 고정합니다. (16)을 (17)에 삽입하고 (18)로 고정합니다.

## 식기세척기 입구 플러그 제거 (S460을 제외한 모든 모델)

중요: 식기세척기를 연결할 때만 해당

**16.** (19)를 (13)에 삽입하고 반시계 방향으로 90° 돌려서 제거합니다.

## 분쇄기를 마운팅 어셈블리에 연결하기

**17.** 분쇄기 하단을 잡고 들어 올리고, (12) 위에 있는 장착 탭 3개를 (8) 위에 있는 슬라이드업 램프에 맞추어 정렬하여 분쇄기를 건 다음, 분쇄기를 반시계 방향으로 살짝 돌립니다.

### ⚠ 경고

머리나 몸통이 분쇄기 아래에 오도록 하지 마십시오. 제거나 설치 중에 분쇄기가 떨어질 수 있습니다.

### 공지

**재산 피해:** 장착 탭 3개가 모두 슬라이드업 램프에 제대로 끼워져 있고 용기부를 지나 제자리에 고정되어 있지 않으면 장/단기 누수 위험이 있습니다.

**18.** 장착 탭 3개가 모두 슬라이드업 램프 위 용기부를 지나 걸릴 때까지 (19)로 (12)를 돌립니다. 분쇄기를 회전시켜서 배출관과 정렬을 맞춥니다.

**19.** 설명서 라벨에서 탈착 가능한 부분을 분리하여 잘 보이는 위치에 붙입니다.

제품 등록 및 추가 제품 정보를 확인하려면 제품 라벨에 있는 QR 코드를 스캔하십시오.

## 분쇄기를 배관에 연결하기

**20.** 배관을 다시 연결합니다(식기세척기를 사용하는 경우 식기세척기도 연결).

### 공지

**재산 피해:** 제대로 조립하지 않으면 누수 위험이 있습니다.

누수 가능성을 줄이기 위해서는 분쇄기에서 배수구 연결부까지 배수관에 적절한 높이를 주어야 하고(0.3m 당 6.4mm 이상) 배수구 연결부가 분쇄기 배출구보다 낮아야 합니다. 그렇지 않으면 분쇄기 안에 고여 있는 물로 인해서 조기 부식이나 누수가 발생할 수 있습니다.

진동 방지 테일 파이프 마운트™가 탑재된 분쇄기의 경우, 테일 파이프 마운트가 굽어 있지 않아야 합니다. 튜브를 잘 맞게 다듬어야 할 수도 있습니다.

## 최종 설치

**21.** 다른 마감재를 선호하는 경우: (24)를 반시계 방향으로 돌려서 기존 마감재 (24)와 (25)를 (26)에서 제거합니다. 다른 마감재 (24)와 (25)를 (26) 위에 설치하고 (24)를 시계 방향으로 돌려서 고정합니다.

**22.** 표준 싱크대 구멍을 통해서 (24, 25, 26) 어셈블리를 장착합니다.  
-또는-

조리대에 직경 33mm의 구멍을 드릴로 뚫고 이 구멍을 통해서 (24, 25, 26) 어셈블리를 장착합니다. (27)을 (24, 25, 26) 어셈블리와 싱크대 카운터 상단 사이에 배치합니다. 싱크대 카운터 아래에서 (29)를 조여서 물이 새지 않도록 밀봉합니다.

\*\* 싱크대 개구부 직경이 33mm보다 클 때는 옵션으로 제공되는 (28)을 사용합니다. 싱크대 카운터와 (27) 사이에 위치시킵니다.

**23.** (22) Next Gen 모델 또는 (23) S460 모델의 나머지 끝단을 (26)의 바닥에 삽입합니다. S460 모델의 경우, 벽면 콘센트에 플러그를 꽂습니다.



**S460 이외의 모든 모델:** 24단계로 이동합니다.

**24.** (30)을 (31)과 함께 분쇄기와 전기 콘센트로부터 900mm 이내에 떨어진 캐비닛 벽면에 단단히 장착합니다.

**25.** (23)을 (30) 하단에 부착합니다. (30)을 전기 콘센트에 꽂습니다.

## 누수 점검

**26.1** 누수 시험을 위해 (3)을 (4)에 삽입하고 제자리에 끼워질 때까지 균일하게 아래로 누릅니다. (1)을 싱크대 개구부에 삽입하고, 싱크대에 물을 채운 후 (1)을 제거하여 배수한 다음, 싱크대 아래에 누수가 있는지 봅니다. 두꺼비집이나 차단기함에서 전기를 다시 연결합니다.

## 누수/작동 점검(Alba 스토퍼)\*

**26.2** 누수 시험을 위해 (3)을 (4)에 삽입하고 제자리에 끼워질 때까지 균일하게 아래로 누릅니다. (2)를 싱크대 개구부에 삽입하고, 싱크대에 물을 채운 후 (2)를 들어 올려 열어 배수합니다. 싱크대 아래에 누수가 있는지 봅니다. 두꺼비집이나 차단기함에서 전기를 다시 연결합니다.

Alba 스토퍼가 있는 분쇄기를 작동하려면 음식물 쓰레기를 천천히 분쇄기 안에 넣고 (2)를 똑바로 세워 (물이 통과할 수 있도록 하고) 분쇄가 진행되는 동안 소음을 최소화하고 재료가 배출되도록 합니다.

분쇄가 완료된 후 분쇄기 전원을 끄고 몇 초 동안 물을 틀어서 배수관으로 물을 흘려보냅니다. 낮은 위치에서는 (2)도 스토퍼 역할을 합니다.

## 중요 안전 지침

화재, 전기 충격, 부상 또는 재산상 손실 위험  
관련 지침

### 접지 지침

접지되는 모든 코드 연결식 분쇄기:

해당 분쇄기는 오작동이나 고장이 발생했을 때 전기 충격 위험을 줄이기 위해서 반드시 접지해야 합니다. 접지는 최소한의 전류 저항을 위한 경로를 제공합니다.

InSinkErator EZ Connect 전원 코드를 사용해야 합니다.

플러그는 모든 지방 법규 및 조례에 따라 제대로 설치되어 접지된 콘센트에 꽂아야 합니다.

### ⚠ 경고

장비와 접지 도체를 부적절하게 연결하면 전기 충격 위험으로 이어질 수 있습니다. 분쇄기가 제대로 접지되어 있는지 확실히 모를 때는 유자격 전기기사나 서비스 기사와 함께 점검하십시오. 제공된 EZ Connect 전원 코드가 콘센트에 맞지 않는 경우, 플러그를 개조하거나 억지로 콘센트에 꽂으려고 하지 말고 유자격 전기기사의 도움을 받아 적절한 콘센트를 설치해야 합니다.

- 이 분쇄기는 반드시 제대로 접지해야 합니다.
- 접지선을 가스 공급관에 장착하지 마십시오.
- 분쇄기를 설치하거나 정비하기 전에 전원을 분리하십시오.
- EZ Connect 전원 코드는 반드시 3구 접지 콘센트에 삽입해야 합니다.
- 모든 배선은 지방 전기 법규를 준수해야 합니다.
- 적절한 접지가 설치될 때까지는 주 배전반에서 전류를 다시 연결하지 마십시오.

### 공지

- 싱크 플랜지 이외의 분쇄기 연결 시 실리콘 코크를 사용하지 마십시오. 나사산 실란트를 사용하지 마십시오. 분쇄기가 손상되어 재산 피해가 발생할 수 있습니다.
- 진동 방지 데일 파이프 마운트™가 장착된 모델의 경우, 제공된 스프링 하중 호스 클램프를 사용하지 않으면 보증이 무효가 됩니다.
- 직관형 배출관을 이용할 때 제대로 배수하고 분쇄기에 물이 고이지 않게 하려면 분쇄기 출구 반대쪽의 튜브 연결부가 분쇄기 출구보다 낮아야 합니다.

**⚠ 경고-**전기 제품을 사용할 때는 기본 예방책을 항상 따라야 하며, 여기에는 다음이 포함됩니다.

- 제품 사용 전에 모든 지침을 읽습니다.
- 어린이 근처에서 제품을 사용할 때는 부상 위험을 줄이기 위해서 엄중한 감독이 요구됩니다.
- 분쇄기에 손가락이나 손을 넣지 않습니다.
- 분쇄기에 걸린 물질이나 물체를 제거하려면 먼저 반드시 전원 스위치 껐음을 확인 한 후 제거합니다.
- 오일분쇄기 내 걸림 현상을 해소하려면 렌치를 사용합니다.
- 오일분쇄기에서 물체를 제거하려면 손잡이가 긴 집게나 플라이어를 사용합니다.
- 조개/굴 껍질, 부식성 배수관 세척제 또는 이와 유사한 제품, 유리, 자기, 플라스틱, 금속(예: 병뚜껑, 강구, 깡통, 밥그릇), 뜨거운 기름, 기타 뜨거운 액체를 분쇄기에 넣지 않습니다.
- 분쇄기를 사용하지 않을 때는 물건이 분쇄기 안으로 떨어질 위험을 줄이기 위해서 스토퍼를 제자리에 끼워둡니다.
- 이 제품은 일반 가정용 음식물 쓰레기를 처리하도록 설계되었습니다. 음식물 쓰레기 이외의 물질을 분쇄기에 넣으면 부상 및/또는 재산 피해가 발생할 수 있습니다.
- 페인트, 용매, 가정용 세척제 및 화학물질, 자동차용 유동체, 비닐랩을 분쇄기에서 처리하지 않습니다.
- 화재 위험: 형광, 중이, 에어로졸 캔과 같은 인화성 물체를 분쇄기 근처에 보관하지 않습니다. 휘발유나 기타 인화성 기체 및 액체를 분쇄기 근처에서 보관하거나 사용하지 않습니다.
- 누수 위험: 분쇄기와 배관 부품을 정기적으로 점검합니다. 그렇지 않을 경우 재산 피해 및 부상으로 이어질 수 있습니다.

### 작동 지침\*

(이 지침 저장하기)

1. 싱크대 개구부에서 스토퍼를 제거하고 냉수를 톹니다.
2. 분쇄기 전원을 켭니다.
3. 음식을 쓰레기를 분쇄기에 천천히 넣습니다.
4. 분쇄가 완료된 후 분쇄기 전원을 끄고 10~15초 동안 물을 틀어서 배수관으로 물을 흘려보냅니다.

화재, 전기 충격, 부상 또는 재산상 손실 위험  
관련 지침



## 다음을 수행합니다.

- 먼저 냉수를 틀 다음 분쇄기를 켭니다. 분쇄가 완료된 후 몇 초 동안 냉수를 계속 틀어서 배수관으로 물을 흘려보냅니다.
- 잔배, 과일 씨, 얼음처럼 딱딱한 물질을 분쇄합니다. 분쇄 챔버 내부에서 입자들에 의해 세척 작용이 만들어집니다.
- 배수관 냄새를 줄이기 위해서 감귤류 껍질을 분쇄합니다.
- 기름이 축적되어 발생하는 불쾌한 냄새를 줄이기 위해 필요에 따라 분쇄기 세척제나 탈지제, 방취제를 사용합니다.

### 공지

분쇄기를 제대로 행구지 않으면 분쇄기 손상 및/또는 재산 피해로 이어질 수 있습니다.

## 다음 행동을 하서는 안 됩니다.

- 기름이나 지방을 분쇄기나 배수관에 붓지 마십시오. 배관 안에 쌓여서 배수관이 막힐 수 있습니다. 기름은 그릇이나 캔에 담에 휴지통에 버리십시오.
- 음식을 쓰레기를 분쇄할 때 온수를 사용하지 마십시오. 분쇄 작동 간 온수를 배수하는 것은 권장합니다.
- 많은 양의 채소 껍질을 한꺼번에 분쇄기에 채우지 마십시오. 먼저 물을 틀고 분쇄기를 켜 다음, 조금씩 넣으십시오.\*
- 배수관이 막히는 일이 발생하지 않도록 많은 양의 달걀 껍데기나 섬유질 물질(예: 옥수수 껍질, 아티초크 등)을 분쇄하지 마십시오.
- 분쇄가 완료되고 모터와 물 소리만 들릴 때까지 분쇄기 전원을 끄지 마십시오.  
\*Cover Control 사용자는 Cover Control 사용 설명서를 참조하십시오.

## 사용자 유지관리 지침

### 분쇄기 청소

시간이 흐르면서 음식물 입자가 분쇄 챔버와 배플에 쌓일 수 있습니다. 분쇄기에서 냄새가 날 경우, 이는 보통 음식물이 축적되었다는 신호입니다.

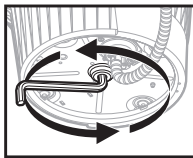
### 분쇄기 청소하기:

1. 싱크대 개구부에 스토퍼를 끼우고 싱크대에 따뜻한 물을 반 정도 채웁니다.
2. 베이킹 소다 용액과 물을 섞습니다. 분쇄기 전원을 켜고 싱크대에서 스토퍼를 제거하여 느슨하게 불은 입자를 행귀냅니다.
3. 싱크 배플을 제거하여 손으로 닦거나 식기세척기에 넣어 닦습니다. 싱크 배플이 제자리에 없을 때는 분쇄기를 작동하지 마십시오.

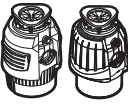
### 분쇄기 걸림 해결

분쇄기가 작동하는 도중에 모터가 멈춘다면 분쇄기에 무언가가 걸린 것일 수 있습니다. 걸림 해결하기:

1. 분쇄기와 물을 끕니다.
2. 렌치의 한쪽 끝을 분쇄기 바닥에 있는 가운데 구멍에 삽입합니다. 렌치가 완전히 회전될 때까지 렌치를 앞뒤로 움직입니다. 렌치를 제거합니다.



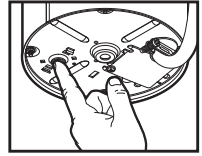
3. 분쇄기 안에 집게를 넣어서 이물질을 제거합니다.

- 4.1  분쇄기에는 자동 과부하 스위치가 있습니다. 분쇄기를 최대 20분 동안 식힌 후 다시 켭니다. (그래도 모터가 작동하지 않으면 배전함에서 차단기가 꺼져 있거나 퓨즈가 나갔는지 확인합니다.)

## 4.2



분쇄기 모터를 3~5분 동안 식힌 후 분쇄기 하단에 있는 적색 재시작 버튼을 살짝 누릅니다. (그래도 모터가 작동하지 않으면 배전함에서 차단기가 꺼져 있거나 퓨즈가 나갔는지 확인합니다.)



## 보증 정보 (연 단위 보증 기간\*)

보증은 유닛 일련번호와 설치일을 기준으로 결정됩니다. 보증 상태 확인 시 구매 또는 설치 영수증이 필요할 수도 있습니다.

연장된 혜택의 적용 자격을 확인하려면 <http://www.insinkerator-worldwide.com>에 제품을 등록하십시오. 보증 기간은 지역별로 다릅니다.

### 서비스

서비스가 필요한 경우, InSinkErator 공식 서비스 센터나 판매자에게 문의하십시오. 설치 후에 분쇄기를 제거하거나 수리를 시도하는 경우, 또는 분쇄기를 상용 목적으로 사용하는 경우에는 보증이 무효가 됩니다.

모델 및 보증 기간은 아래 표에 나열되어 있습니다.

모델	EU	MX	BZ	한국	인도
S460 SR/EC/RC	2	2	2		
Premium 550 SR	3	3	3	3	3
Premium 700 SR	4	4	4		
Evolution Plus 750 SR	5	5	5	5	5
Evolution Plus 1000 SR	6	6	6	6	
Premium 550 EC	2				
Premium 700 EC	2				
Evolution Plus 750 EC	3				
Evolution Plus 1000 EC	4				
Premium 550 RC	2				
Premium 700 RC	3				
Evolution Plus 750 RC	4				
Evolution Plus 1000 RC	5				