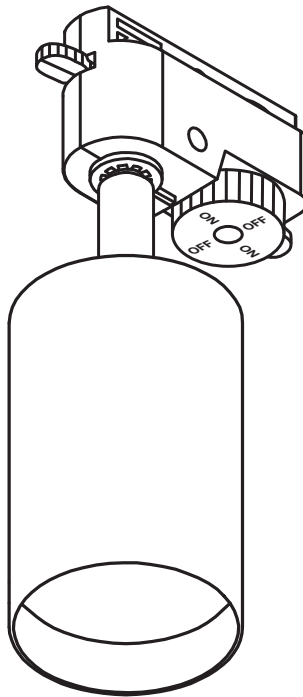


OSRAM

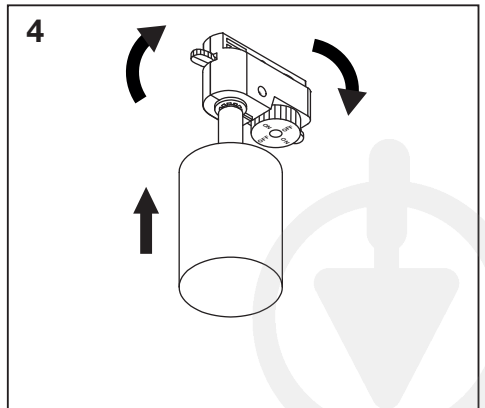
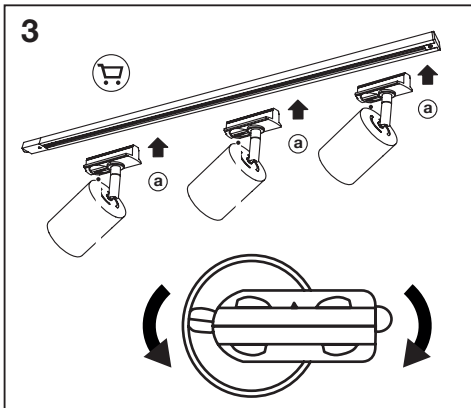
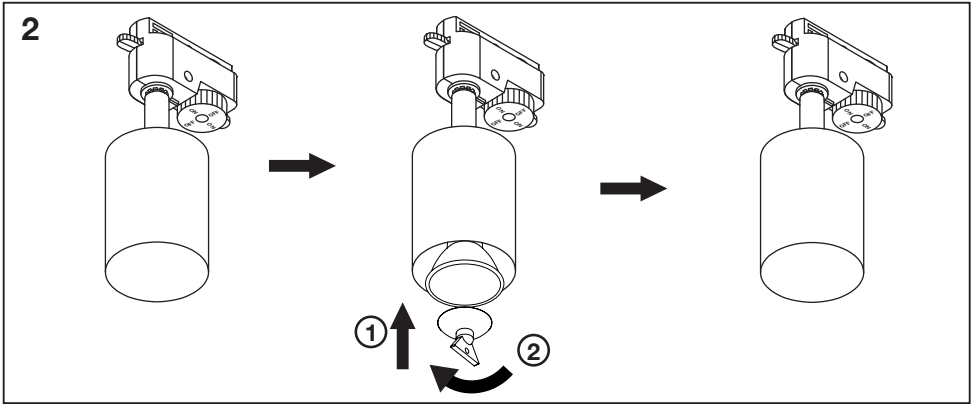
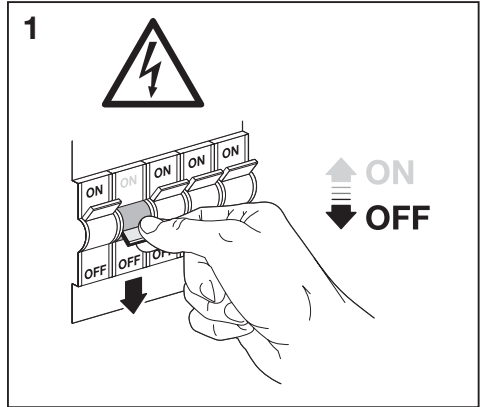
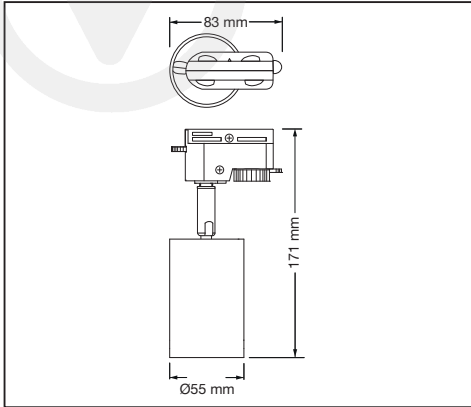


1-PHASE TRACKING SYSTEM ETERNAL

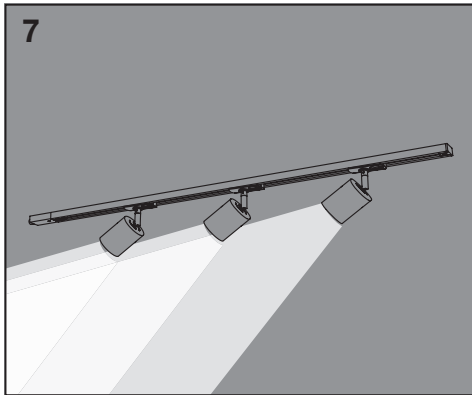
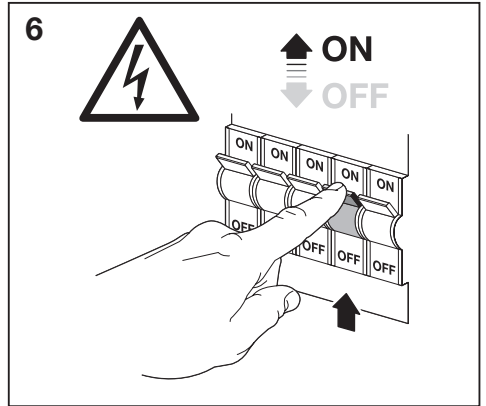
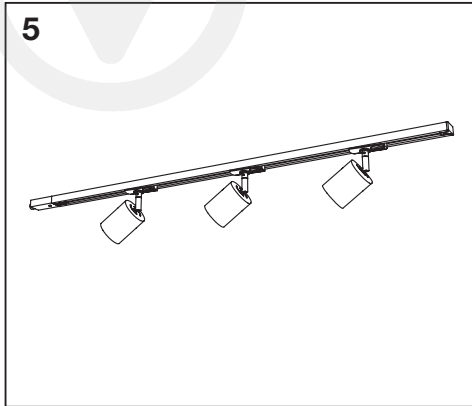


	EAN	W _{MAX.} LED	⊖(°C)	IP	V~	Hz	👤
TRACK 1-PH SP ETERNAL GU10 WT EUE	4099854598999	6	-20...+40	20	220-240	50/60	158g
TRACK 1-PH SP ETERNAL GU10 BK EUE	4099854599392	6	-20...+40	20	220-240	50/60	158g

1-PHASE TRACKING SYSTEM ETERNAL

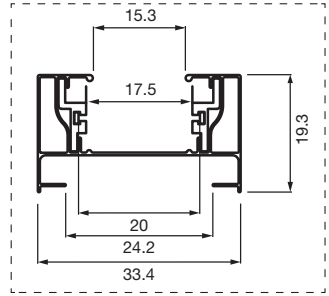
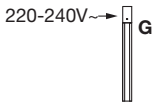


1-PHASE TRACKING SYSTEM ETERNAL





TRACKLIGHT SYSTEM



mm

Item	Model	Socket	Dimension L x W x H	Color	EAN
A	TRACK 1-PH SP ETERNAL GU10	GU10	83 x 55 x 171	White Black	4099854598999 4099854598392
G	TRACK 1-PH RAIL 1M	-	1000 x 33.4 x 19.3	White Black	4099854598319 4099854598494
G	TRACK 1-PH RAIL 2M	-	2000 x 33.4 x 19.3	White Black	4099854598623 4099854598654
H	TRACK 1-PH CONNECTOR L TYPE	-	70 x 70 x 19.3	White Black	4099854599156 4099854599194
I	TRACK 1-PH CONNECTOR I TYPE	-	78 x 34 x 19.3	White Black	4099854599057 4099854599095
J	TRACK 1-PH CONNECTOR X TYPE	-	105 x 105 x 19.3	White Black	4099854599293 4099854599316
K	TRACK 1-PH CONNECTOR T TYPE	-	105 x 70 x 19.3	White Black	4099854599231 4099854599279



Points de collecte sur www.quefairedemesdechets.fr



LEDVANCE SASU
CQM, 5 rue d'Altorf
67120 Molsheim France
www.ledvance.com

C10449057
G11249346
19.08.25

® LEDVANCE Ltd, Sterling House,
810 Mandarin Court, Warrington,
Cheshire, WA1 1GG, United Kingdom