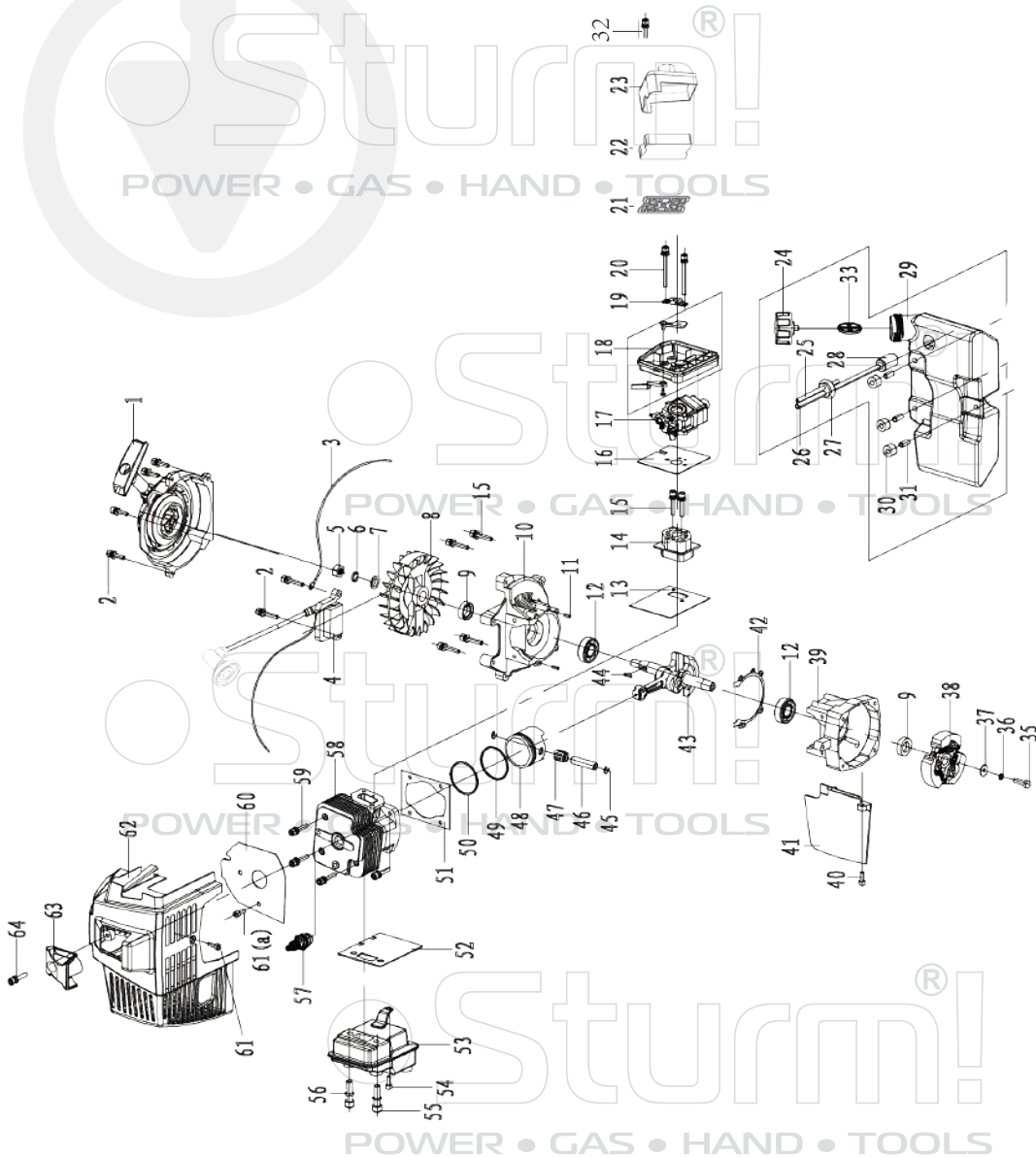


GK8363

NO.	DESCRIPTION	NO.	DESCRIPTION
1	RACK ASSEMBLY	15	RUBBER CUSHION
2	MUDGUARD	16	ALUMINIUM CONNECTOR
3	PROTECTION BRACKET	17	CLUTCH DRUM
4	MIDDLE HANDLE	18	GEARBOX CASING
5	HANDLE	19	CUTTER SHAFT
7	RUBBER HANDLE SLEEVE	20	BODY OIL SEAL
8	ACCELERATOR SWITCH	21	BODY BEARING
9	PLASTIC NUT	22	CUTTER SHAFT BEARING
10	FLAT HEAD SCREW	23	BEARING
11	LONG SCREW	24	BEARING
12	REAR WHEEL UNIT	25	OIL SEAL
12-1	WHEEL	26	WORM
12-2	WHEEL BRACKET	27	SECTOR GEAR
12-3	SCREW	28	THE SECONDARY GEAR
12-4	CATCH PIN	29	OUTER CLAMP RING
12-5	CAP NUT	30	GASOLINE ENGINE
12-6	R SHAPED PIN	31	FILTER TUBE
13	DRAG STRUT	32	BOLT
13-1	CATCH PIN	33	FIXED BRACKET
13-2	R SHAPED PIN	34	FILTER HOUSING
14	CUTTER ASSEMBLY	35	SPONGE FILTER ELEMENT
14-1	CUTTER BRACKET	36	FILTER HOUSING BRACKET
14-2	BLADE	37	SPRING
14-4	SCREW	38	FILTER HOUSING
14-5	CAP NUT		

UK-ST20210809



ENGINE FOR GK8363

NO.	DESCRIPTION	NO.	DESCRIPTION
1	STARTER ASSY	33	HANGING EAR
2	SCREW M5*20	35	SCREW M6*20
3	FLAMEOUT LINE	36	SPRING WASHER Ø6
4	COIL	37	FLAT WASHER Ø6*16*1.6
5	NUT M10*1	38	CLUCH ASSY
6	SPRING WASHER	39	CRANKSHAFT CASE L
7	FLAT WASHER	40	SCREW M5*12
8	FLYING WHEEL	41	GUARD PLATE
9	OIL SEAL 15*25*6	42	GASKET
10	CRANKSHAFT CASE R	43	CRANKSHAFT ASSY
11	LOCATING PIN Ø4*8	44	PIN 3*5*13
12	BEARING 6202	45	PISTON PIN SPING
13	GASKET	46	PISTON PIN
14	INLET PIPE	47	BEARING K101414.5
15	SCREW M5*30	48	PISTON
16	GASKET	49	PISTON RING 2
17	CARBURETER	50	PISTON RING 1(BEVEL)
18	AIR FIULTER SEAT	51	GASKET
19	AIR FIULTER CLASP	52	GASKET
20	SCREW M5*55	53	MUFLLER
21	AIR FIULTER NET	54	SCREW M5*12
22	AIR FIULTER SPONGE	55	SCREW M8*30
23	AIR FIULTER COVER	56	SPRING WASHER Ø8
24	FUEL TANK ASSY	57	SPARK PLUG
25	FUEL BACK PIPE	58	CYLINDER
26	FUEL PIPE	59	SCREW
27	FUEL PIPE SEAT	60	HEAT SHIELD
28	FUEL FIULTER	61	SCREW M5*16
29	TANK	61(a)	SCREW M5*12
30	DAMPING RUBBER	62	CYLINDER COVER
31	PROTECTOR Ø5.5*7*16.5	63	top cover
32	BOLT M5X16	64	SCREW M5*20

UK-ST20210809