



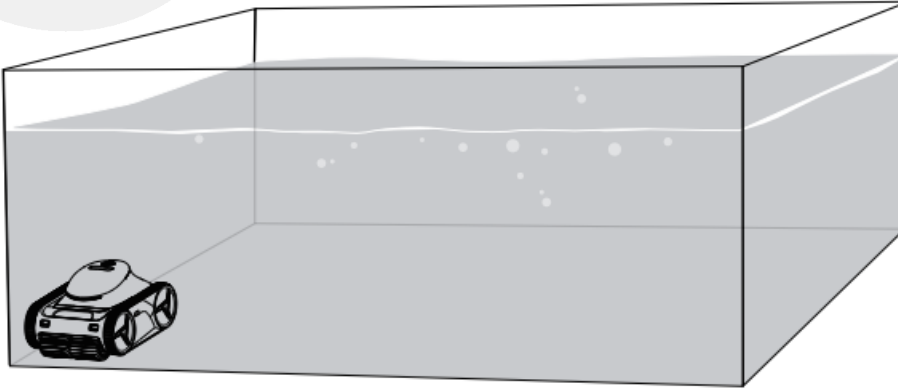
**AI-WIRELESS ROBOTIC
POOL CLEANER**

 **USER MANUAL**

★★ TIPS ★★

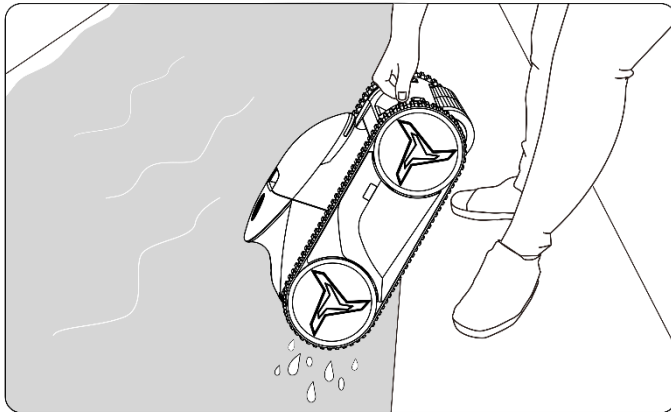
How to achieve the most efficient cleaning

Place the robot at the corner of the pool for quick coverage of the entire pool floor area.

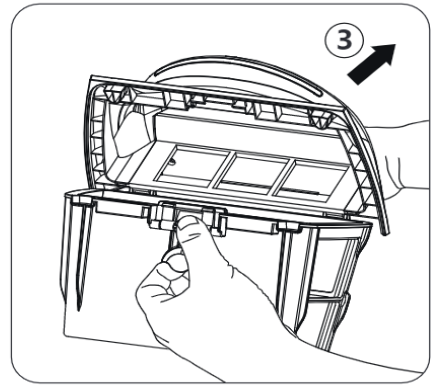
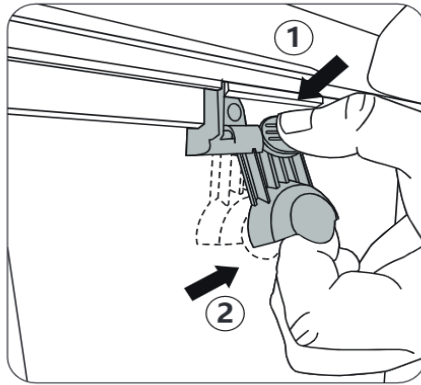
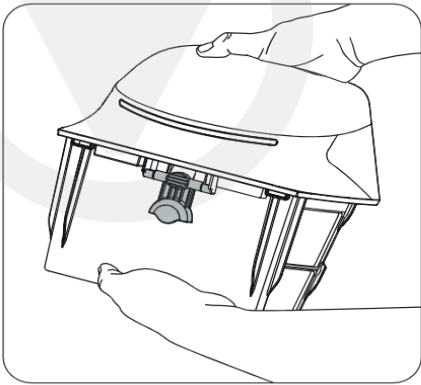


How to drain water from the robot

Place the robot on the edge of the pool for a while and let the water drain out.

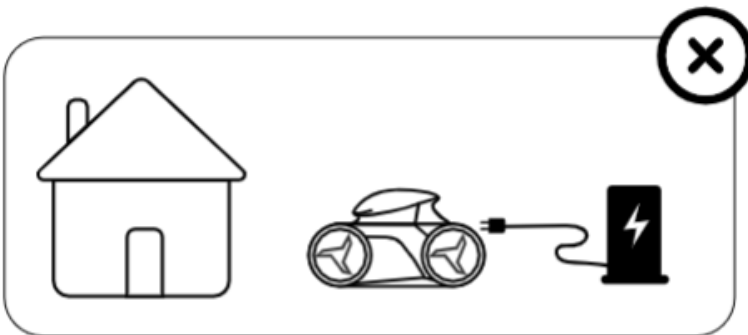


How to open the filter box

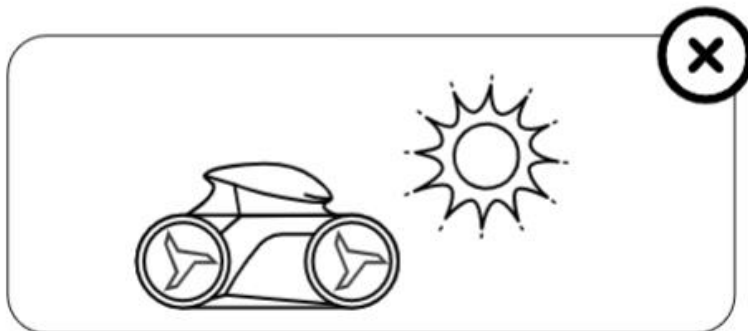


! For battery protection, the robot should be fully charged every 3 months and the magnetic cap should be inserted back into the robot if it is not used for more than 14 days.

!
Do not charge the robot outdoors.



!
Do not long-term expose the robot to the sun.





WARNINGS

This page contains information that will help you operate the robot safely, prevent hazards and prevent damage to the robot or other property.

GENERAL WARNINGS

- Read the instructions before operating the robot.
- The robot is designed for pool cleaning; do not use it for other purposes.
- Keep the robot out of reach of children or persons with reduced physical, sensory or mental capabilities without supervision or instruction.
- The robot must be installed, operated and maintained as specified in this manual.
- The robot is to be installed in accordance with manufacturer's guidelines and in compliance with the relevant requirements of the local or national standards for installation. The manufacturer is not responsible for any outcome related to the failure to comply with installation, usage or maintenance guidelines.
- Incorrect installation or use of the robot may cause serious damage to property or injuries to people.
- Do not enter pool while the robot is in water.

WARNINGS ON USE

- Only use the detachable supply unit provided with the robot to recharge the battery. Operate the power supply at least 3.5 meters from edge of pool.
- Disconnect the robot from the power supply and insert the magnetic cap back in place before performing any maintenance on the robot.
- Do not operate the robots with wet hands.
- Disconnect the robot from the power supply before carrying out user maintenance.
- Do not try to repair the robot yourself or open engine box in case of malfunction, please contact your dealer.
- If there is any malfunction or release of odor from the robot when charging, disconnect it from the power supply immediately and contact your dealer.
- Use only original replacement parts supplied by the manufacturer for service and repair.

GENERAL OPERATION CONDITIONS

- i. Water depth range: 0.4-3m
 - ii. Water temperature: between 4°C~35°C (below 15°C, the endurance time may be affected)
 - iii. PH: 7.0-7.8
 - iv. NaCl: 5000 PPM,MAX
 - v. Chlorine: 4 PPM, MAX
- The robot will automatically stop running if the water depth is less than 40 centimeters for the purpose of motor protection.
 - Do not use the robot during shock chlorination.
 - Do not use the robot in thunderstorm or stormy weather.
 - Do not expose the robot to direct rainfall or sunlight for an extended period.



CAUTIONS

- Rest/hold the robot by the pool edge for water to drain out before lifting the robot out of water, do it slowly so as to prevent back injury.
- Clean the filter basket after each cleaning cycle.
- Do not lift the robot out of water by track.



REMINDER

- When the robot battery is below 30%, it will only clean the floor of the pool.
- a. Storing your robot:
 - i. Ensure the robot is fully dry before storage. This prevents degradation or damage to the motors or internal structure.
 - ii. The filter basket should be cleaned thoroughly after usage and do not leave dirt or debris to dry in filter basket.
 - iii. The charger cable is stored neatly without twists whilst in long term storage
 - b. Optimum storage temperature between -10-45°C and storage humidity between 30%-70%/RH.

Table of Contents

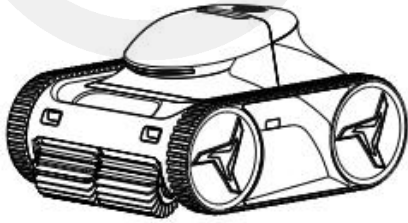
| | |
|---|-----------|
| SECTION 1. PRODUCT OVERVIEWS | 6 |
| 1.1 Packaging content | 6 |
| 1.2 Technical specification | 7 |
| 1.3 Preparation..... | 8 |
| SECTION 2. OPERATION | 9 |
| 2.1 Overview of control panel | 10 |
| 2.2 Operation on the display of the unit..... | 11 |
| 2.3 Cleaning the filter basket | 12 |
| 2.4 Charging the robot | 12 |
| 2.5 WIFI matching..... | 13 |
| SECTION 3. MAINTENANCE..... | 14 |
| 3.1 Filter maintenance | 14 |
| 3.2 Impeller maintenance..... | 14 |
| 3.3 Replace the worn brushes | 15 |
| 3.4 Replace the worn tracks | 16 |
| SECTION 4. TROUBLE SHOOTING | 17 |



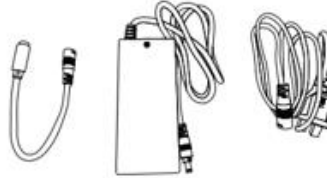
SECTION 1. PRODUCT OVERVIEWS

1.1 Packaging content

The following items are included in the packaging of robot. Please contact your dealer if any damage or loss.



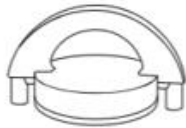
①



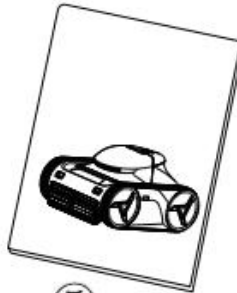
②



③



④



⑤

① The robot ② Charger ③ Hook ④ Magnetic cap*2 ⑤ User manual

Note:

1. Remove the Magnetic cap ④ when using or charging. Insert Magnetic cap to machine's bottom for battery protection when not using the robot for more than 14 days.
2. If the robot fails, insert the Magnetic cap ④ into the robot for 2 seconds, remove the magnetic cap and restart the robot, i.e., reset the robot.



1.2 Technical specification

| Model | X80 | X60 | X45 | X30 |
|---|-----------------------------------|----------------|---------------|---------------|
| Performance condition reference*: Floor mode | | | | |
| Endurance time | 8h | 6h | 4.5h | 3h |
| Performance condition reference*: Floor/wall/waterline mode | | | | |
| Endurance time | 4.5h | 3.5h | 2.5h | 2h |
| Charging time | 5h | 4h | 3h | 2h |
| Pool size | 12x10m | | | |
| Battery | 14Ah (352wh) | 10.4Ah (262wh) | 7.8Ah (196wh) | 5.2Ah (131wh) |
| Optimum pool temperature | 4~35°C | | | |
| Cleaning mode | Floor only /Floor, Wall&Waterline | | | |
| Multiple cycle option | 0.5h/1h/2h Full Run | | | |
| AI Timer | Clean every 24h / 48h / 72h | | | |
| App application | YES | | | |
| Filter capacity | 3.2L | | | |
| Filtration accuracy | 180µm | | | |
| Pump flow rate | 22-10(m³/h) | 20-10(m³/h) | | |
| Running power | 30-110W | | | |
| Moving speed | 12m/min | | | |
| Number of motors | 3 | | | |
| Charger input | 90-265VAC ~ 50/60Hz | | | |
| Running voltage/current | 25.2V/1.2A | | | |
| Charger power | 72.5W | | | |
| Robot NW/GW | 12 / 17kg | 12 / 17kg | 11.5 / 16.5kg | 11.5 / 16.5kg |
| Robot dimension (L*W*H) | 495*395*265 mm | | | |
| Robot packaging dimension (L*W*H) | 580*448*330 mm | | | |

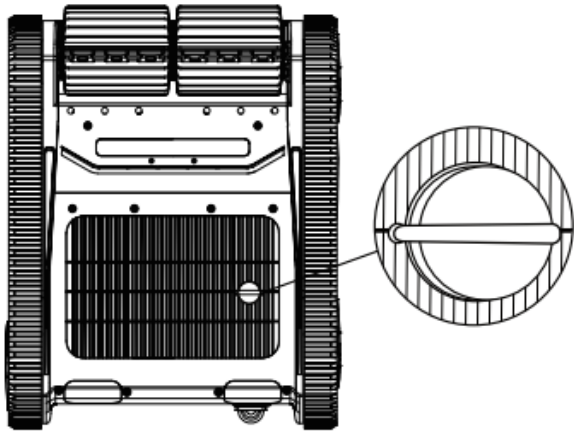
* Reference: Above working time is based on 2 hours' cleaning each time at floor mode in the liner pool.

Note: The manufacturer reserves the right to modify these specifications without notice.

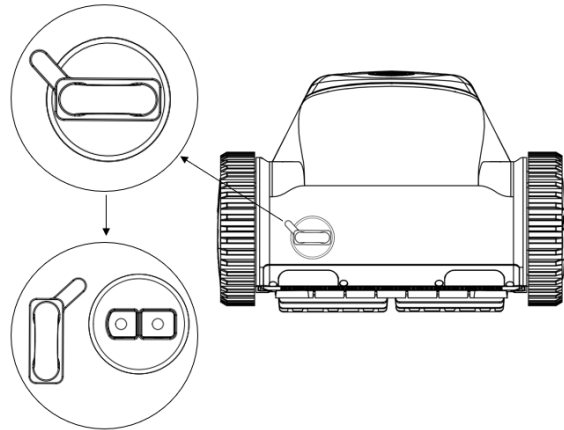


1.3 PRODUCT OVERVIEW

① Remove the Magnetic cap from the bottom of the robot and store it well.



② Remove the plug cover. When fully charged, cover the plug again.



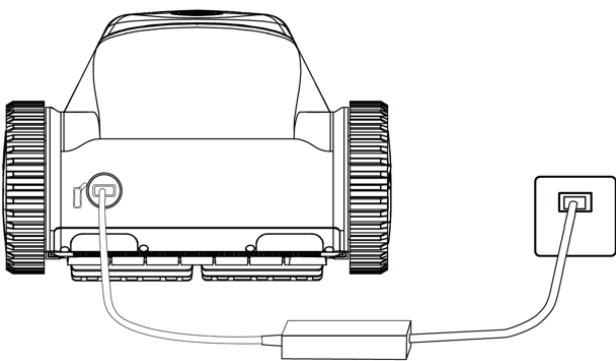
③ Connect to the power(90-265V) supply using the charger supplied.

The red light indicates charging;

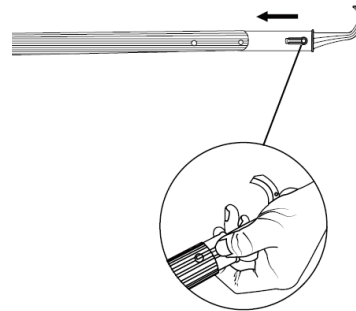
The green light indicates power and a fully charged robot;

Fully charge the robot before the first use.

*Suggested Charging Temperature: 6-35°C



④ Install the configured hook on the rod (Rod is exclusive).



SECTION 2. OPERATION

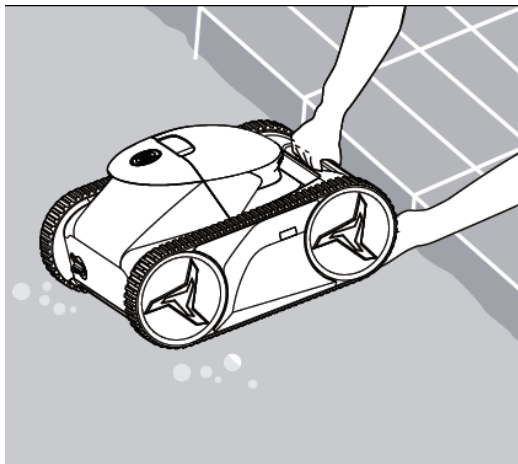
⚠ CAUTION

To prevent possible damages to the robot or people, be sure to follow these guidelines:

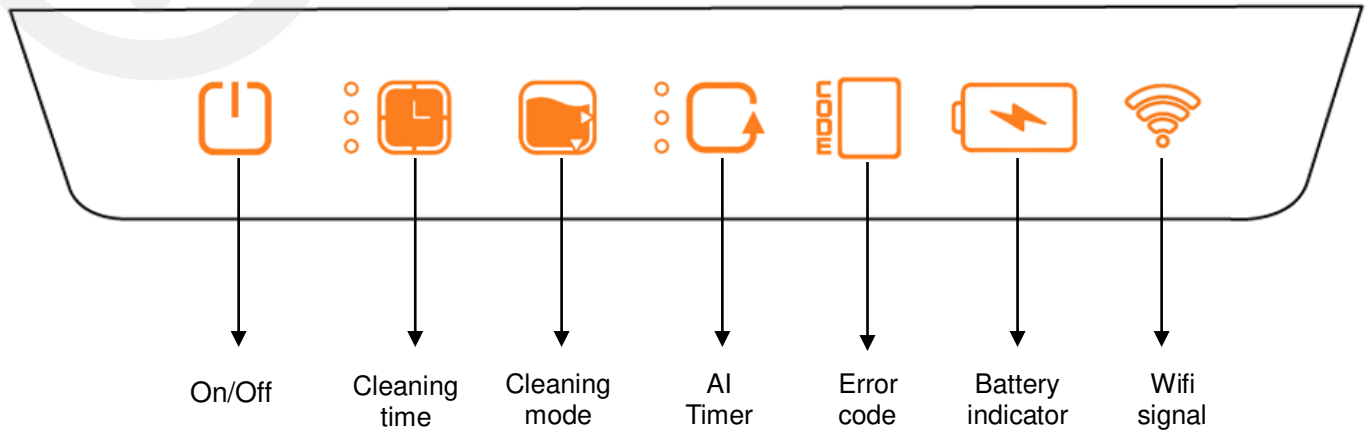
- a. After cleaning is completed, place the robot in a cool dry place away from direct sunlight
- b. Take care when moving robot from pool and allow water to drain from robot before lifting.

IMPORTANT



- Once the robot is set up, drop into the water within 3 minutes or the robot will enter sleep mode.
- Clean the filter basket after the cleaning cycle. Avoid cleaning the surface of the filter box directly with your hands.
- The robot has a safety feature that automatically stops if a dry run happens.
- Turn the robot in all directions to release any air trapped in the robot before it enters the water. Shown below.







2.1 Overview of Control Panel




| Type of button | Icon | Display Status | Description |
|----------------|------|---|--|
| Power switch | | Green light flashes | Setup status |
| | | Green light being on | Running status/Inspection status under water |
| Cleaning time | | 1 green light being on | Cleaning time: 0.5H |
| | | 2 green lights being on | Cleaning time: 1.0H |
| | | 3 green lights being on | Cleaning time: 2.0H* |
| | | All lights being off | Cleaning until low battery |
| Cleaning mode | | Triangle green light at the bottom being on | Floor cleaning mode |
| | | Both triangle green lights being on | Overall cleaning mode (Floor, wall, waterline) |
| AI Timer | | 1 green light being on | Cleaning every 24 hours |
| | | 2 green lights being on | Cleaning every 48 hours |
| | | 3 green lights being on | Cleaning every 72 hours |
| | | All lights being off | Do not need AI Timer |
| Error code | | 1 | Left drive failure |
| | | 2 | Right drive failure |
| | | 3 | Abnormal water pump |



| | | | |
|-------------------------------------|--|--|--------------------------------------|
| | | 4 | Abnormal control panel communication |
| | | 5 | Infrared sensor failure |
| | | 6 | Failure water sensor |
| Battery light (Non-charging status) |  | 1 green light being on | Battery level: 20-50% |
| | | 2 green lights being on | Battery level: 50-75% |
| | | 3 green lights being on | Battery level: 75-100% |
| Low battery | | 1 red light flashes | Battery level: 15-20% |
| Battery light (Charging status) | | 1 green light flashes | Battery level: 0-50% |
| | | 1 green light being on, 1 green light flashes | Battery level: 50-75% |
| | | 2 green lights being on, 1 green light flashes | Battery level: 75-100% |
| | | 3 green lights being on | Battery level: 100% |
| Wifi signal |  | Green light flashes | Network matching |
| | | Green light on | Network matched |
| | | Red light flashes | Failure connection |

2.2 Operation on the display of the unit

1. Hold  for 3 seconds to activate the robot. When  flashes, start robot set up. After setup, press  again for confirmation. Once completed, put the robot into the water. The robot will start cleaning automatically when it touches the floor. If there is no operation from the robot within 3 minutes as the  flashes, the robot will shut down and enter sleep mode.

*Note: There are two different outcomes when setting up the AI Timer: 

(Take set  "Cleaning every 24 hours" in AI Timer for example)

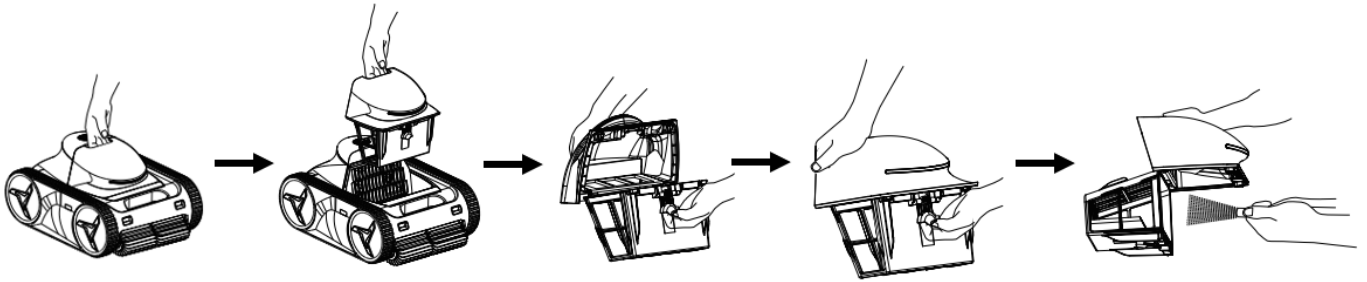
- a. Press  once and put the robot into the water. The robot will start immediately. After one clean cycle, the robot will enter sleep mode and automatically wake up after 24 hours.
- b. Press  for 3s and then put the robot into the water. The robot will enter sleep mode. After 24 hours, the robot will automatically wake up and start cleaning.



- If the battery is less than 15% during the cleaning cycle, the robot will keep flashing a red light, the robot will self-park at the edge of the pool. It will enter sleep mode after 5 minutes.

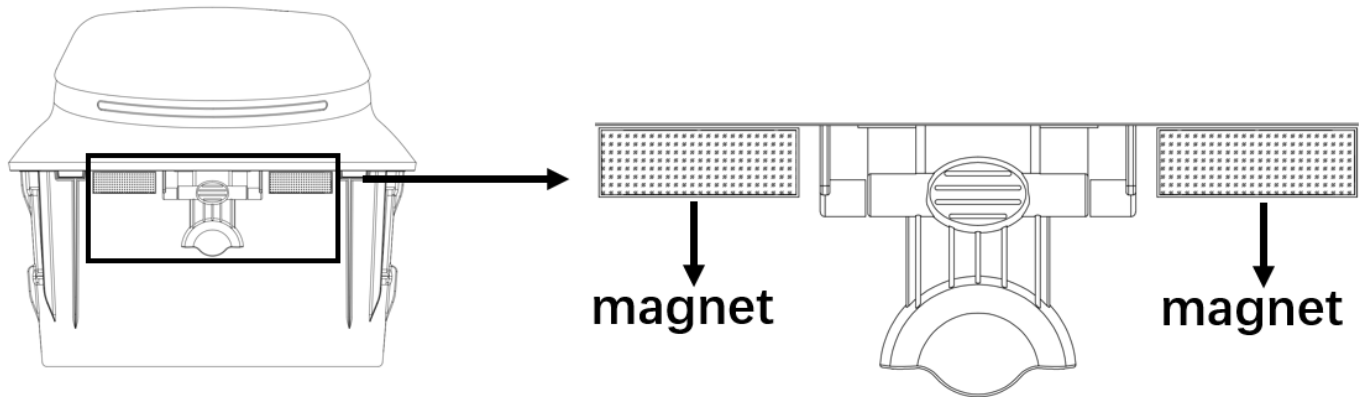
2.3 Cleaning the filter basket

When a cleaning cycle is completed, the robot will self-park at the edge of the pool. Use the hook to catch the handle and lift the robot out of the water, drain the water from the robot and clean the filter basket as shown below:

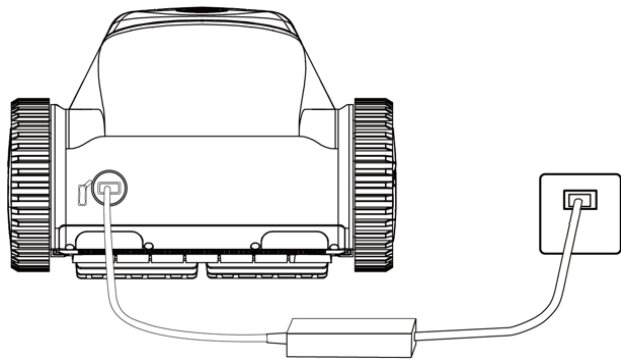


Note:

To prevent injury, wear rubber gloves when cleaning the filter basket.



2.4 Charging the robot






- Plug the adapter into power supply and make sure that indicator light is being red.
- Open the cover of the robot's plug to expose the plug charging port.



3. Plug the adapter plug into the robot. When the robot is charging, the battery light of the robot flashes green and the indicator light on the adaptor is red.
4. If the battery bar indicator is full with 3 green lights on, and indicator light of the power adapter will also turn green, then the robot is fully charged.
5. Before charging, make sure charging port is dry.
6. Disconnect the charger after charging is completed to protect the battery.
7. If the robot needs to be stored for long time, it should be fully charged at least every three months to protect the battery.
8. It is not recommended to charge outdoors.
9. **Note: Use the original power adaptor with the robot ONLY.**

2.5 WIFI Matching

Hold  for 3s, then the robot will have a beep sound, the robot enters matching mode,  start flashing, open the “AI-BOT” APP to search device and match the robot to your network and go matching, the robot will beep three times and  will turn green after network is matched.

Setup of the robot can be operated via the APP using Wifi or Bluetooth.

Setup of the robot cannot be operated by APP if the robot is in the pool. (Due to the physical limitation of radio signal penetration in water).

Note: download the “AI-BOT” APP in iOS App Store/ Google Play Store.



SECTION 3. MAINTENANCE

WARNING

1. To avoid electric shock and other hazards which could result in major injuries, disconnect the adapter from the power source before performing any cleaning and maintenance.
2. Before any maintenance, insert the magnetic cap at the bottom of the robot to avoid injuries caused by impeller rotation.

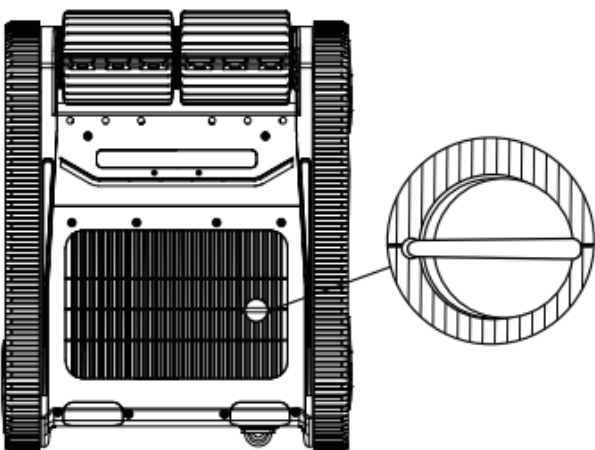
3.1 Filter maintenance

1. Clean the filter thoroughly and regularly for a better cleaning and climbing performance. Otherwise, the cleaning and climbing performance may be affected when the filter is full or clogged.
2. Annually clean the clogged filter with mild acidic detergent, Suitable safety equipment must be worn when carrying this out.

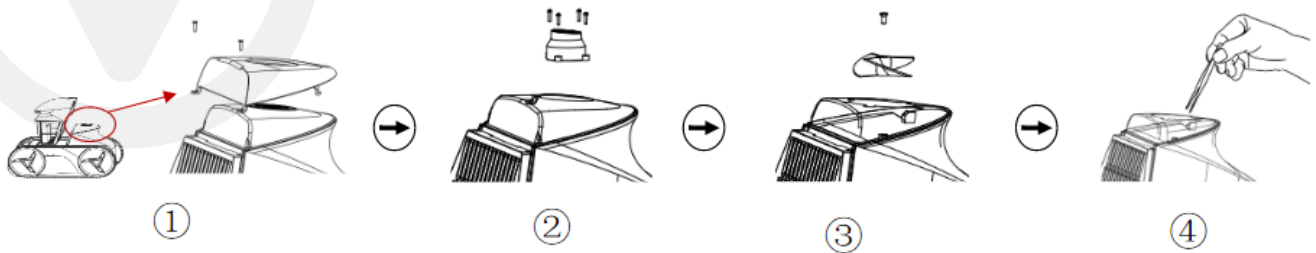
3.2 Impeller maintenance

Visually check whether the impeller or impeller shaft is entangled with hair or other debris when the robot has a reduced suction or climbing performance, clean the debris trapped in the impeller.

***Magnetic cap MUST be inserted into the robot before any maintenance on the impeller.**



Follow the below steps:

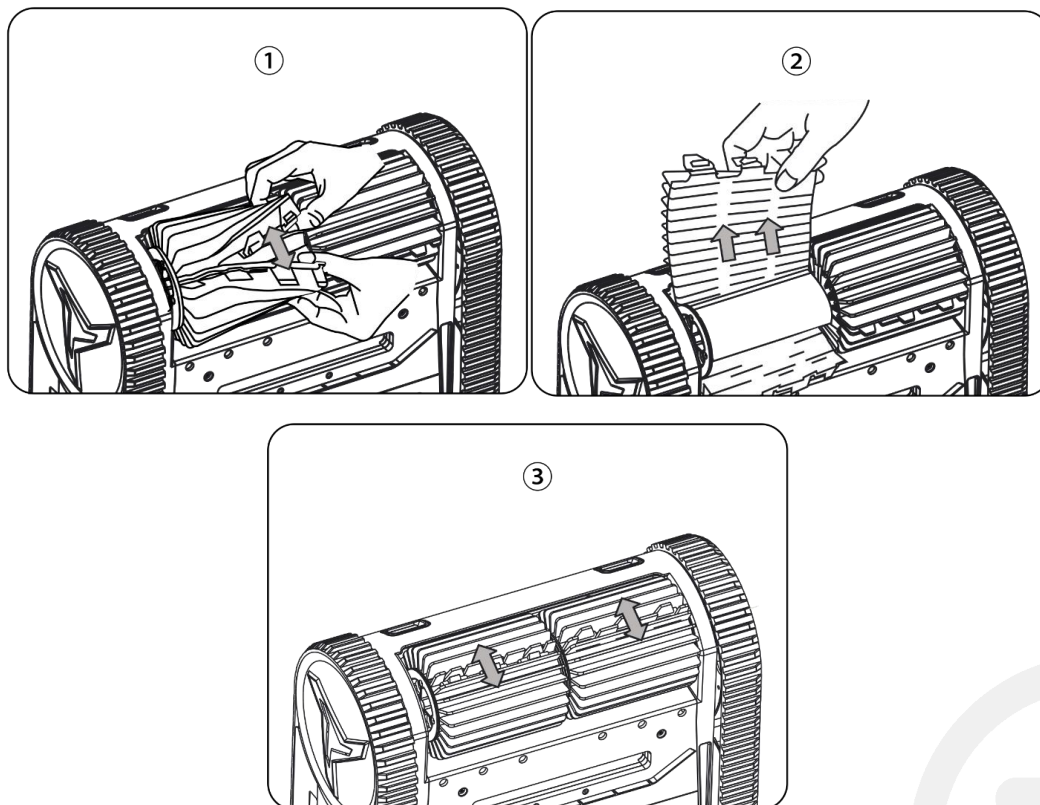


- ① Take out the filter box, remove the fixing screws of the inflow ring cover, and take out the inflow ring cover.
- ② Remove the deflector fixing screws and take out the deflector.
- ③ Remove the impeller screw and take out the impeller. Note: Wear gloves when removing the impeller to prevent injury from sharp edges.
- ④ Clean the impeller debris and reassemble all the parts mentioned above in order.

Note: If you have any difficulties with impeller maintenance, contact your dealer for assistance.

3.3 Replace the worn brushes

Remove the worn brushes & position the new brushes:



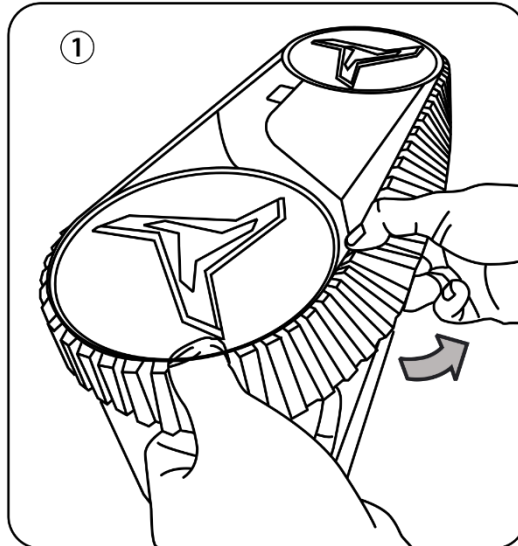
- ① Unfasten the tabs from the holes and remove the brushes.



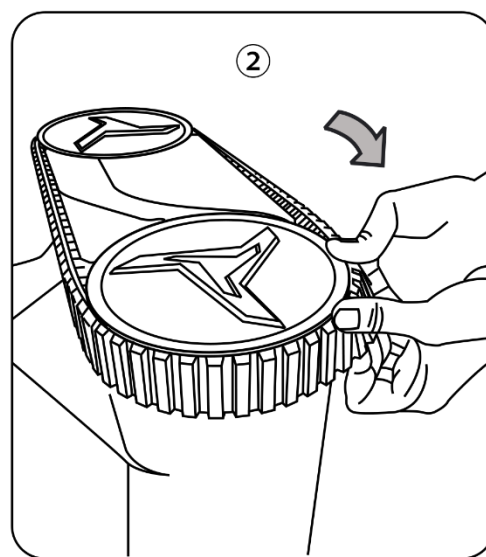
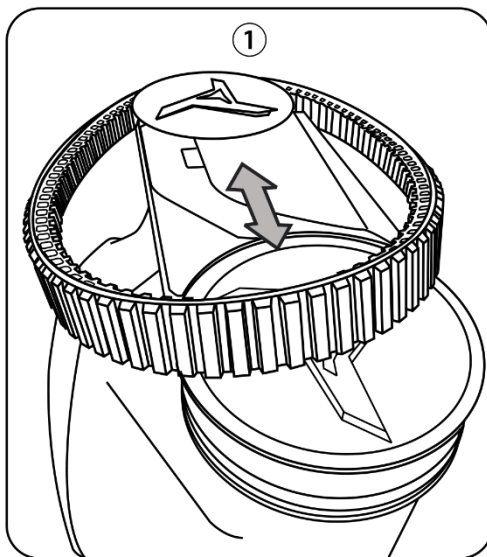
- ② Fit the side without tabs under the brush holder.
- ③ Roll the brush around its support, slide the tabs into the attachment holes and pull on the end of each tab until its edge passes through the slit.

3.4 Replace the worn tracks

Remove the worn tracks:



Position the new tracks:



SECTION 4. TROUBLE SHOOTING



| Failure | Possible reason | Solution |
|---------------------------------------|---|--|
| Charging failure | Debris on the electrode of charging head (Non-failure) | Clean debris |
| | The bottom Magnetic cap isn't removed (Non-failure) | Remove the Magnetic cap |
| | Charger is damaged | Replace charger |
| Switching on failure | The Magnetic cap isn't removed (Non-failure) | Remove the Magnetic cap |
| | Water spots on the robot display or people's hand (Non-failure) | Keep the display and hands dry, then try again |
| | Wrong operation (Non-failure) | Hold the power button for 3 seconds |
| | No power in the battery (Non-failure) | Get the robot fully charged |
| Not working (not moving, not pumping) | Low battery (Non-failure) | Get the robot fully charged |
| | Out of water (Non-failure) | Make sure the robot under water and indicator lights being on |
| | No pressing the on/off button after settings are done (Non-failure) | Press the on/off button after the settings are done, make sure indicator lights being on before putting the robot into water |
| | Full load of filter basket (Non-failure) | Clean filter basket |
| Moving but not pumping | The impeller gets stuck | Check whether there are too many debris in the guide ring, affecting the rotation of the impeller. (Please insert back the magnetic cap before operation, to avoid injuries caused by the impeller rotation) . |
| | Full load of filter basket (Non-failure) | Clean filter basket |
| | Water inlet is blocked(Non-failure) | Take out of filter basket and clean water inlet |
| | Battery low (Non-failure) | Get the robot fully charged |
| Pumping but not moving | The moving motor gets stuck | Please contact the dealer for replacement |
| | Track is deviated and stuck (Non-failure) | Turn the robot upside down and roll the track forward and backward to restore the track |
| | Track is damaged | Replace track |
| | Scrubber gets stuck (Non-failure) | Clean scrubber |
| | The robot gets stuck by obstacle and shut down for auto-protection | Remove obstacle and restart |

| | | |
|---------------------------|---|---|
| | (Non-failure) | |
| | Full load of filter basket (Non-failure) | Clean filter basket |
| Not climbing | Under floor cleaning mode (Non-failure) | Turn to overall cleaning mode |
| | The impeller is stuck | Check whether there are too many debris in the guide ring, affecting the rotation of the impeller. (Please insert back the magnetic cap before operation, to avoid injuries caused by the impeller rotation). |
| | Full load of filter basket (Non-failure) | Clean filter basket |
| | Water inlet is blocked (Non-failure) | Take out of filter basket and clean the water inlet |
| Poor cleaning capability. | Battery low (Non-failure) | Get the robot fully charged |
| | The impeller is stuck | Remove any debris or hair in the guide ring |
| | Full load of filter basket (Non-failure) | Clean filter basket |
| | Water inlet blocked (Non-failure) | Take out of filter basket and clean water inlet. |
| | Scrubber is damaged | Replace scrubber |
| | Filter basket is damaged | Replace filter basket |
| Unusual non-stop | Software failure | Insert the magnetic cap back to bottom for 5s, then remove it and restart |





Note:

1. Do not use the robot when people or animals are in the pool.
2. Charger **MUST BE DISCONNECTED** before conducting any maintenance on the robot.
3. Contact your dealer for problems not covered in Trouble Shooting Guide.
4. Normally, the robot will stop at the poolside when it encounters any failure or when the battery level is less than 15%.
5. If an error occurs, please restart the robot by placing the magnetic cap at the underside of the robot.
6. If the robot is malfunctioning, the error code will appear on the operation panel (see 2.1) and the power button  on the operation and panel flashes red. Pressing the power button  will remove the error warning and allow operation, if error occurs again, please check troubleshooting guide.

Indoor



For switch power supply indoor use only.

Recycling



When disposing the product, please hand it over to a designated collection point for the recycling of waste electrical and electronic equipment.

The separate collection and recycling of waste equipment at the time of disposal will help ensure that it is recycled in a manner that protects human health and the environment.

For more information about where you can drop off your waste for recycling, please contact your local authority.

Warranty Exclusions

Warranty is not valid if any of the following apply:

- *Incorrect operation of the unit by not following correct instructions.
- *Damage caused to the robot due to misuse or damage caused by any other means than manufacturer defect.
- *If robotic pool cleaner is repaired or serviced by an unauthorized dealer or service station.
- *If an unauthorized service station damaged battery seal.
- *If you overcharge the battery by using a non-specified input power adapter.
- *If you cause a fault in the operation of the machine by using non-specified accessories.
- * General wear and tear of consumable products (Filter, Tracks, Brushes)





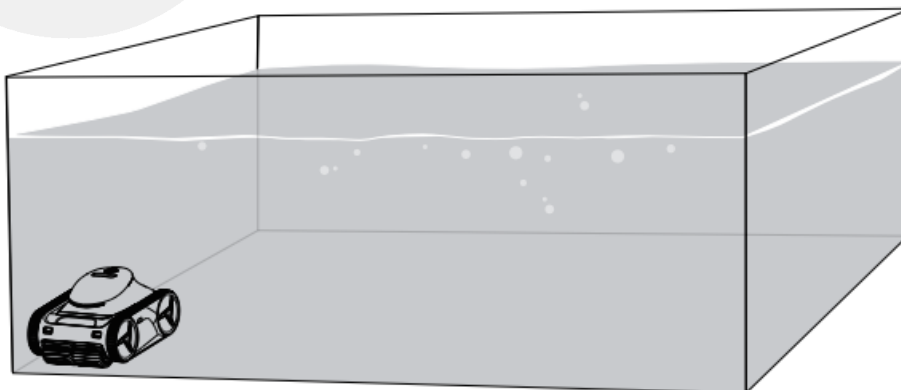
AI-WIRELESS ROBOTIC POOL CLEANER

 Instrukcja obsługi

★ ★ PORADY ★ ★

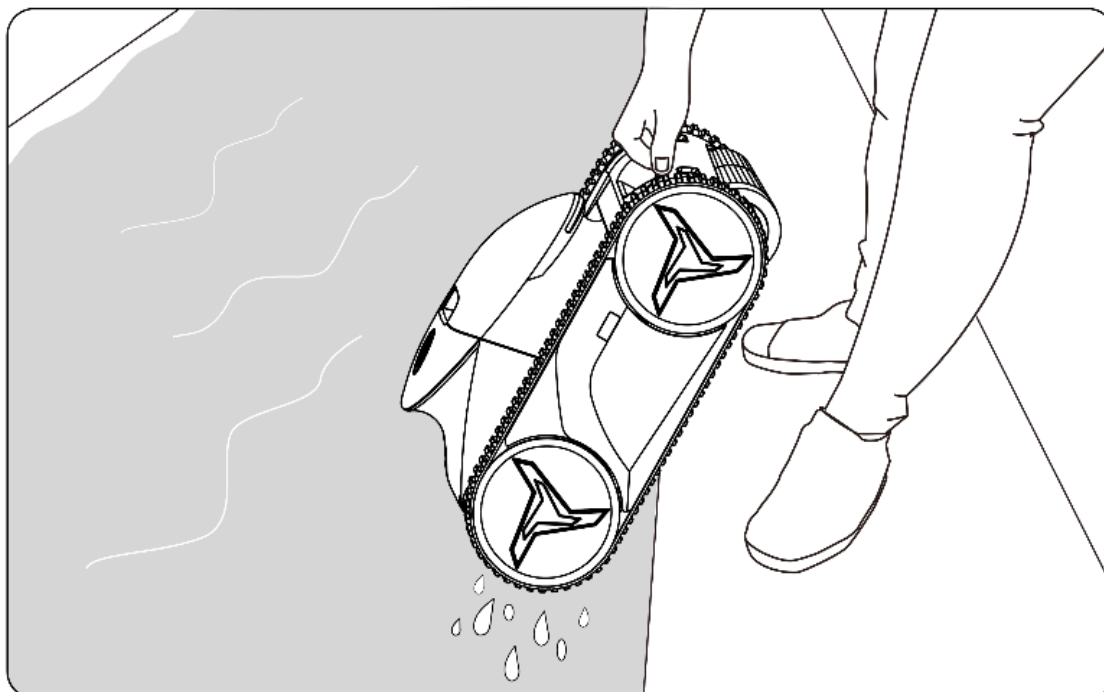
Jak zapewnić najbardziej wydajne sprzątanie

Umieść robota w rogu basenu, aby szybko pokryć całą powierzchnię dna basenu.

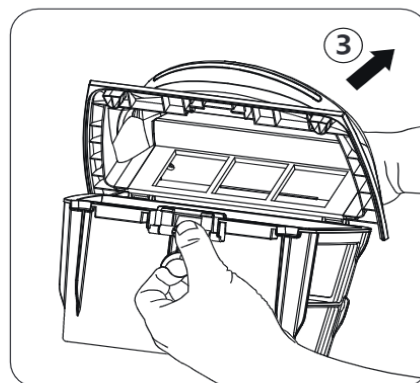
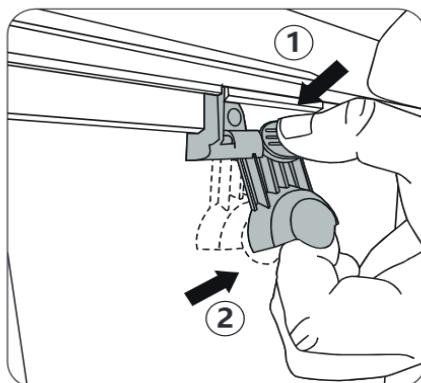
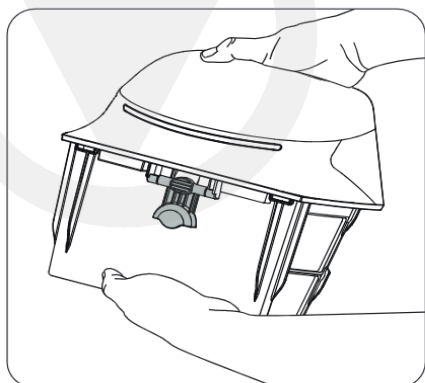


Jak usunąć wodę z robota

Umieść odkurzacz na chwilę na krawędzi basenu i pozwól wodzie spłynąć.



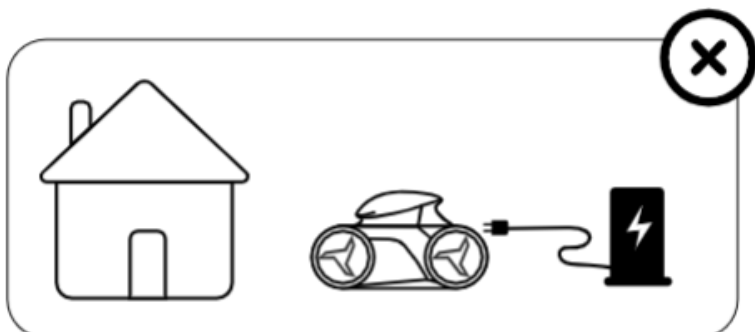
Jak otworzyć obudowę filtra



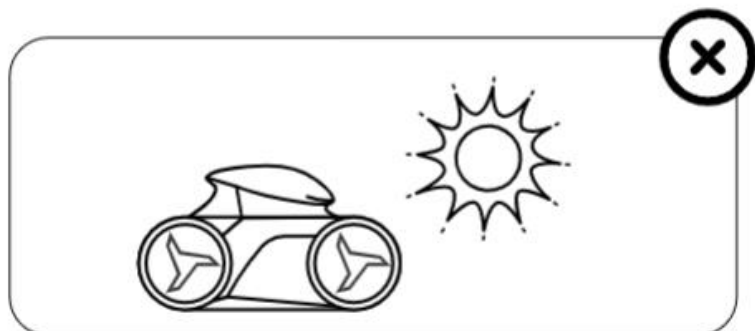
! Aby chronić akumulator, robot należy ładować do pełna co 3 miesiące, a jeśli robot nie jest używany dłużej niż 14 dni, należy założyć nasadkę magnetyczną.



Nie ładuj robota na zewnątrz.



Nie pozostawiaj robota na słońcu przez długi czas.



OSTRZEŻENIE

Ta strona zawiera informacje pomagające w bezpiecznym korzystaniu z robota, zapobieganiu możliwym zagrożeniom i unikaniu uszkodzeń robota lub innego mienia.

OSTRZEŻENIA OGÓLNE

- Przeczytaj instrukcje przed rozpoczęciem korzystania z robota.
- Robot jest przeznaczony do czyszczenia basenów; nie należy używać go do innych celów.
- Przechowuj robota poza zasięgiem dzieci lub osób o ograniczonych zdolnościach fizycznych, sensorycznych lub umysłowych bez nadzoru lub odpowiednich instrukcji.
- Instaluj, obsługuj i konserwuj robota zgodnie z wymaganiami niniejszej instrukcji.
- Robot musi być zainstalowany zgodnie z zaleceniami producenta i zgodnie z odpowiednimi lokalnymi lub krajowymi normami dotyczącymi warunków instalacji. Producent nie ponosi odpowiedzialności za jakiegokolwiek konsekwencje wynikające z nieprzestrzegania zaleceń dotyczących instalacji, użytkowania lub konserwacji.
- Nieprawidłowa instalacja lub użytkowanie urządzenia może spowodować poważne uszkodzenie mienia lub obrażenia ciała.
- Nie wolno wchodzić do basenu, gdy robot znajduje się w wodzie.

OSTRZEŻENIA DOTYCZĄCE UŻYTKOWANIA

- Do ładowania akumulatora należy używać wyłącznie wymiennego zasilacza dołączonego do robota. Zasilacza należy używać w odległości co najmniej 3,5 metra od krawędzi basenu.
- Przed przystąpieniem do jakichkolwiek czynności konserwacyjnych odkurzacza należy odłączyć go od zasilania i założyć nasadkę magnetyczną.
- Nie obsługuj odkurzacza mokrymi rękami.
- Przed rozpoczęciem konserwacji należy odłączyć odkurzacz od źródła zasilania.
- W przypadku awarii nie próbuj samodzielnie naprawiać urządzenia ani otwierać komory silnika, skontaktuj się ze sprzedawcą.
- Jeśli podczas ładowania wystąpi jakakolwiek usterka lub nieprzyjemny zapach, należy natychmiast odłączyć robota od źródła zasilania i skontaktować się z dostawcą.
- Do konserwacji i napraw należy używać wyłącznie oryginalnych części zamiennych dostarczonych przez producenta.

OGÓLNE WARUNKI EKSPLOATACJI

- i. Głębokość: 0.4-3m
 - ii. Temperatura wody: 4°C~35°C (temperatura poniżej 15°C może wpłynąć na czas pracy)
 - iii. PH: 7.0-7.8
 - iv. NaCl: 5000 PPM,MAX
 - v. Chlor: 4 PPM, MAX
- W celu ochrony silnika, robot automatycznie przestanie działać, jeśli głębokość wody jest mniejsza niż 40 centymetrów.
 - Nie używaj robota podczas chlorowania szokowego.
 - Nie używaj robota podczas burzy lub sztormu.
 - Nie należy wystawiać robota na długotrwałe działanie deszczu lub bezpośredniego światła słonecznego.

OSTRZEŻENIA

- Przed wyjęciem robota z wody należy przytrzymać go na krawędzi basenu, aby umożliwić odpłynięcie wody, i robić to powoli, aby zapobiec urazom pleców.
- Opróżnij kosz filtra po każdym cyklu czyszczenia.
- Nie podnoś robota z wody za gąsienice.

PRZYPOMNIENIE

- Gdy poziom naładowania baterii odkurzacza spadnie poniżej 30%, będzie on czyścił tylko dno basenu.
- a. Przechowywanie robota:
 - i. Przed przechowywaniem robota należy upewnić się, że jest on całkowicie suchy. Pomoże to zapobiec zniszczeniu lub uszkodzeniu silników lub konstrukcji wewnętrznej.
 - ii. Kosz filtra należy dokładnie wyczyścić po każdym użyciu.
 - iii. W przypadku długotrwałego przechowywania kabel do ładowania powinien być starannie zwinięty, bez przekręcania.
 - b. Optymalna temperatura przechowywania wynosi -10-45 °C, a wilgotność 30%-70% RH.



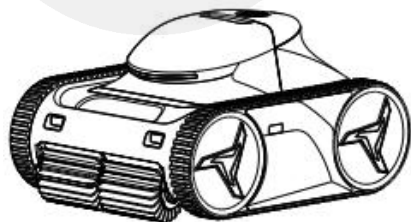
Spis treści

| | |
|---|-----------|
| ROZDZIAŁ 1 PRZEGLĄD PRODUKTU..... | 7 |
| 1.1 Zawartość opakowania | 7 |
| 1.2 Charakterystyki techniczne | 8 |
| 1.3 Przygotowanie | 9 |
| ROZDZIAŁ 2. EKSPLOATACJA | 10 |
| 2.1 Przegląd panelu sterowania | 10 |
| 2.2 Praca z wyświetlaczem urządzenia..... | 11 |
| 2.3 Opróżnianie kosza filtra | 12 |
| 2.4 Ładowanie robota | 12 |
| 2.5 Podłączanie do sieci WIFI..... | 13 |
| ROZDZIAŁ 3. KONSERWACJA..... | 14 |
| 3.1 Konserwacja filtra..... | 14 |
| 3.2 Konserwacja wirnika | 14 |
| 3.3 Wymiana zużytych szczotek | 15 |
| 3.4 Wymiana zużytych gąsienic..... | 16 |
| ROZDZIAŁ 4. WYKRYWANIE I USUWANIE USTEREK..... | 17 |

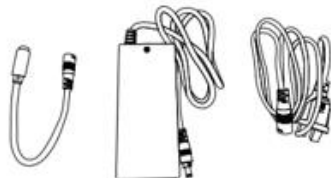
ROZDZIAŁ 1. PRZEGLĄD PRODUKTU

1.1 Zawartość opakowania

Do odkurzacza dołączone są poniższe elementy. W przypadku zagubienia lub uszkodzenia któregośkolwiek z nich należy skontaktować się ze sprzedawcą.



①



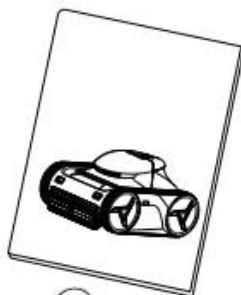
②



③



④



⑤

① Robot ② Ładowarka ③ Hak ④ Nasadka magnetyczna*2 ⑤ Instrukcja obsługi

Notatka:

1. Zdejmij nasadkę magnetyczną ④ podczas używania lub ładowania. Jeśli robot nie będzie używany przez ponad 14 dni, należy założyć nasadkę magnetyczną w dolnej części urządzenia, aby chronić akumulator.
2. Jeśli robot działa nieprawidłowo, należy założyć nasadkę magnetyczną ④ do robota na 2 sekundy, a następnie wyjąć ją i ponownie uruchomić urządzenie, tj. zrestartować robota.



1.2 Charakterystyki techniczne

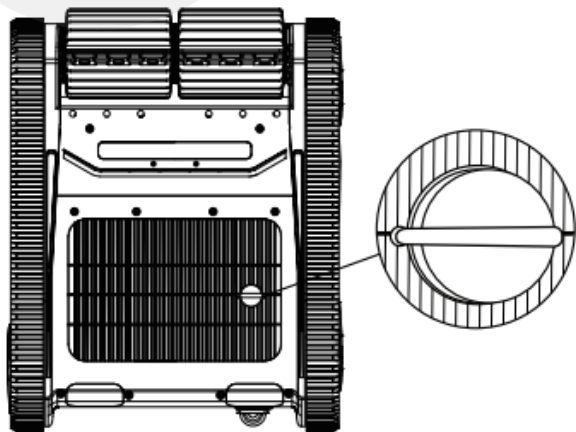
| Model | X80 | X60 | X45 | X30 |
|---|---------------------------------------|----------------|----------------|----------------|
| Informacje o warunkach pracy *: Dno | | | | |
| Czas pracy | 8 h | 6 h | 4.5 h | 3 h |
| Informacje o warunkach pracy*: Dno / ściany / linia wodna | | | | |
| Czas pracy | 4.5 h | 3.5 h | 2.5 h | 2 h |
| Czas ładowania | 5 h | 4 h | 3 h | 2 h |
| Rozmiar basenu | 12x10m | | | |
| Bateria | 14Ah (352wh) | 10.4Ah (262wh) | 7.8Ah (196wh) | 5.2Ah (131wh) |
| Optymalna temperatura wody w basenie | 4~35°C | | | |
| Tryb czyszczenia | Tylko dno / Dno, ściany i linia wodna | | | |
| Funkcja wielu cykli | 0,5h/1h/2h Pełny cykl | | | |
| Timer AI | Czyszczenie co 24 / 48 / 72 godziny | | | |
| Dodatek | TAK | | | |
| Wydajność filtra | 3.2l | | | |
| Dokładność filtracji | 180µm | | | |
| Wydajność pompy | 22-10(m³/h) | 20-10(m³/h) | | |
| Wydajność robocza | 30-110W | | | |
| Prędkość ruchu | 12m/min | | | |
| Liczba silników | 3 | | | |
| Wejście ładowarki | 90-265 V AC ~ 50/60 Hz | | | |
| Napięcie/prąd roboczy | 25.2B/1.2A | | | |
| Moc ładowarki | 72.5W | | | |
| Waga NETTO/BRUTTO | 12 / 17 kg | 12 / 17 kg | 11.5 / 16.5 kg | 11.5 / 16.5 kg |
| Wymiary odkurzacza (dł.*szer.*wys.) | 495*395*265 mm | | | |
| Wymiary opakowania (dł.*szer.*wys.) | 580*448*330 mm | | | |

* Podany powyżej czas pracy opiera się na 2-godzinnym czyszczeniu w trybie "Dno" w basenie wyposażonym w liner.

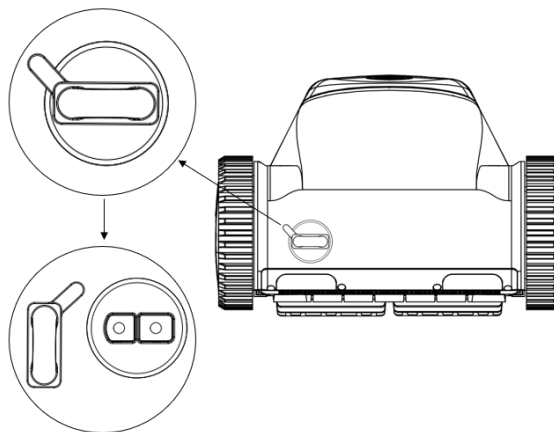
Notatka: Producent zastrzega sobie prawo do zmiany tych specyfikacji bez wcześniejszego powiadomienia.

1.3 PRZEGLĄD PRODUKTU

① Zdejmij magnetyczną nasadkę na spodzie odkurzacza i przechowuj go w bezpiecznym miejscu.



② Zdejmij nasadkę ochronną. Po zakończeniu procesu ładowania załóż z powrotem nasadkę ochronną.



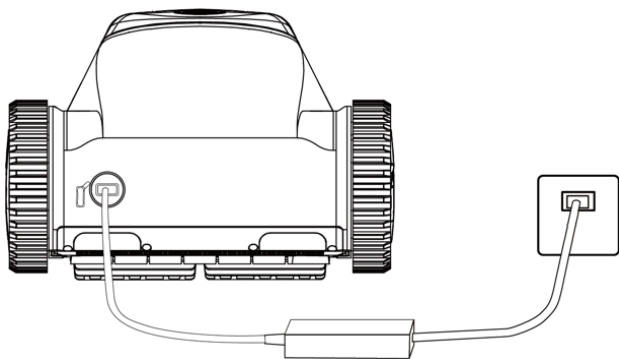
③ Podłącz do sieci elektrycznej (90-265 V) za pomocą dołączonej ładowarki.

Czerwony wskaźnik: urządzenie ładuje się;

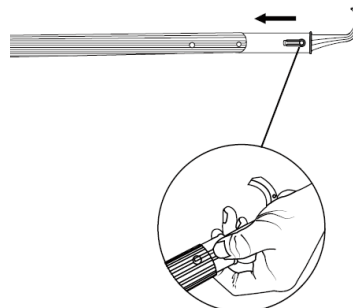
Zielone światło: urządzenie jest w pełni naładowane.

W pełni naładuj robota przed pierwszym użyciem.

* Zalecana temperatura ładowania: 6-35°C



④ Zamontuj hak na drążku (drążek jest elementem ekskluzywnym).



ROZDZIAŁ 2. EKSPLOATACJA

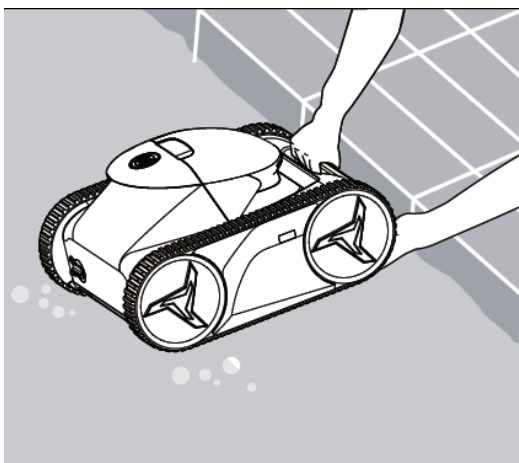
⚠ UWAGA

Aby zapobiec uszkodzeniu urządzenia lub obrażeniom ciała, należy przestrzegać następujących instrukcji:

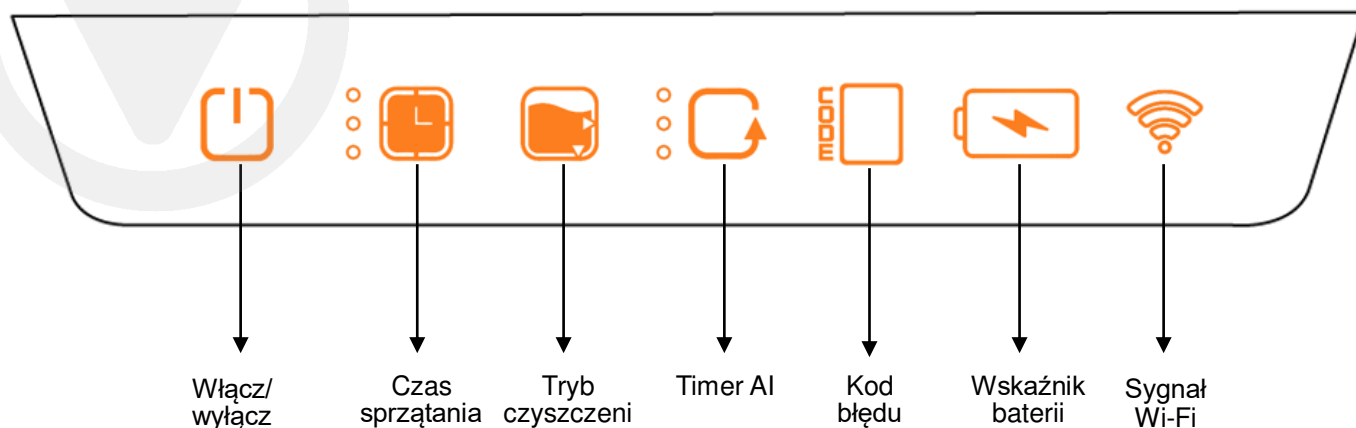
- c. Po zakończeniu czyszczenia umieść robota w chłodnym, suchym miejscu z dala od bezpośredniego światła słonecznego
- d. Zachowaj ostrożność podczas wyjmowania robota z basenu, najpierw poczekaj, aż z niego spłynie woda.






WAŻNE



- Po dokonaniu ustawień należy zanurzyć odkurzacz w wodzie na 30 sekund, w przeciwnym razie robot przejdzie w tryb uśpienia.
- Po zakończeniu cyklu czyszczenia należy opróżnić kosz filtra. Nie czyść powierzchni kosza filtra bezpośrednio rękami.
- Odkurzacz jest wyposażony w funkcję bezpieczeństwa, która automatycznie zatrzymuje pracę w przypadku pracy na sucho.
- Obracając robota we wszystkich kierunkach, uwolnij uwięzione powietrze przed opuszczeniem go do basenu.







2.1 Przegląd panelu sterowania



| Przycisk | Ikona | Wskazanie | Opis |
|-----------------------|---|---|---|
| Przełącznik zasilania |  | Zielone światło miga | Stan konfiguracji |
| | | Zielone światło świeci w sposób ciągły | Stan pracy / Stan testu podwodnego |
| Czas sprzątania |  | 1 zielone światło świeci w sposób ciągły | Czas czyszczenia: 0.5 h |
| | | 2 zielone światła świecą się w sposób ciągły | Czas czyszczenia: 1.0 h |
| | | 3 zielone światła świecą się w sposób ciągły | Czas czyszczenia: 2.0 h * |
| | | Wszystkie wskaźniki są wyłączone | Czyszczenie do momentu całkowitego rozładowania akumulatora |
| Tryb czyszczenia |  | Świeci się trójkątny zielony wskaźnik na dole | Tryb czyszczenia dna |
| | | Świecą się oba trójkątne zielone wskaźniki | Tryb czyszczenia ogólnego (dno, ściany, linia wodna) |
| Timer AI |  | 1 zielone światło świeci w sposób ciągły | Czyszczenie co 24 godziny |
| | | 2 zielone światła świecą się w sposób ciągły | Czyszczenie co 24 godzin |
| | | 3 zielone światła świecą się w sposób ciągły | Czyszczenie co 24 godziny |
| | | Wszystkie wskaźniki są wyłączone | Timer AI nie jest potrzebny |
| Kod błędu |  | 1 | Usterka kierownicy po lewej stronie |
| | | 2 | Usterka kierownicy po prawej stronie |
| | | 3 | Awaria pompy wodnej |
| | | 4 | Błąd komunikacji z panelem sterowania |
| | | 5 | Usterka czujnika podczerwieni |




| | | | |
|---|--|--|--------------------------------------|
| | | 6 | Wadliwe działanie czujnika wody |
| Wskaźnik naładowania akumulatora (brak ładowania) |  | 1 zielone światło świeci w sposób ciągły | Poziom naładowania baterii: 20-50%. |
| | | 2 zielone światła świecą się w sposób ciągły | Poziom naładowania baterii: 50-75%. |
| | | 3 zielone światła świecą się w sposób ciągły | Poziom naładowania baterii: 75-100%. |
| Niski poziom naładowania baterii | | 1 czerwony wskaźnik miga | Poziom naładowania baterii: 15-20%. |
| Wskaźnik naładowania baterii (stan podczas ładowania) | | 1 zielony wskaźnik miga | Poziom naładowania baterii: 0-50%. |
| | | 1 zielony wskaźnik świeci, 1 zielony wskaźnik miga | Poziom naładowania baterii: 50-75%. |
| | | 2 zielonych wskaźnika są włączone, 1 zielony wskaźnik miga | Poziom naładowania baterii: 75-100%. |
| | | 3 zielonych wskaźnika świeci się w sposób ciągły | Poziom naładowania baterii: 100%. |
| Sygnał Wifi |  | Zielony wskaźnik miga | Podłączanie do sieci |
| | | Zielony wskaźnik jest włączony | Znaleziono sieć |
| | | Czerwony wskaźnik miga | Nie można nawiązać połączenia |

2.2 Praca z wyświetlaczem urządzenia

3. Przytrzymaj  przez 3 sekundy, aby aktywować robota. Gdy zacznie migać , rozpocznij konfigurację robota. Naciśnij  ponownie, aby potwierdzić ustawienia. Następnie opuść odkurzacz do wody. Urządzenie rozpocznie czyszczenie automatycznie, gdy tylko dotknie dna. Jeśli wskaźnik  miga przez 30 sekund i nie zostanie podjęte żadne działanie, robot wyłączy się i przejdzie w tryb uśpienia.

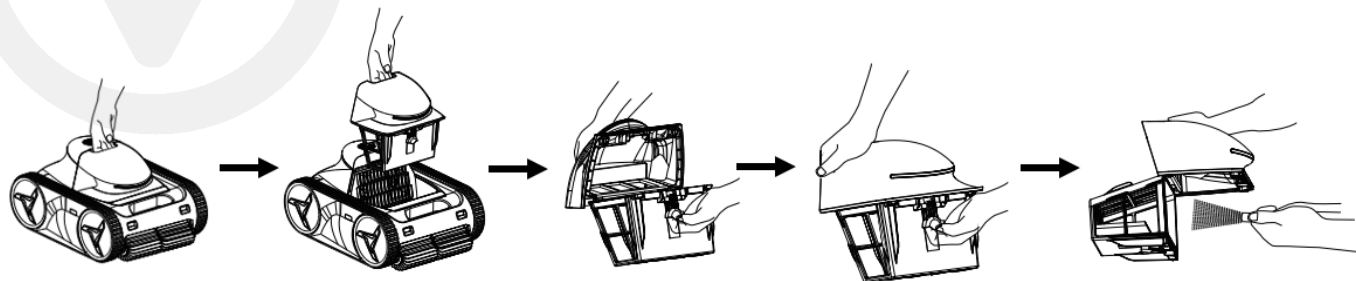
* Notatka: Istnieją dwie różne opcje konfiguracji AI Timer: 

(Na przykład, weźmy wartość "Czyszczenie co 24 godziny" w AI Timer)

- c. Naciśnij  jeden raz i zanurz myjkę w wodzie. Robot natychmiast rozpocznie pracę. Po jednym cyklu czyszczenia robot przejdzie w tryb uśpienia i automatycznie obudzi się po 24 godzinach.
- d. Naciśnij  i przytrzymaj przez 3 sekundy, a następnie zanurz urządzenie w wodzie. Przejdzie on w tryb uśpienia. Po 24 godzinach robot automatycznie się obudzi i rozpocznie czyszczenie.
4. Jeśli podczas cyklu czyszczenia poziom naładowania akumulatora jest niższy niż 15%, miga czerwony wskaźnik . Robot zaparkuje na krawędzi basenu, a po 5 minutach przejdzie w tryb uśpienia.

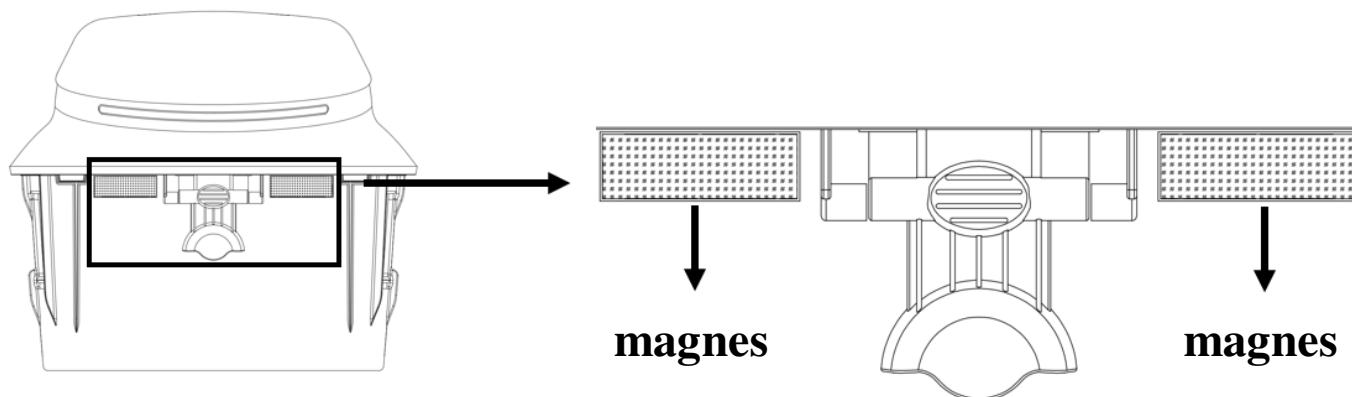
2.3 Opróżnianie kosza filtra

Po zakończeniu cyklu czyszczenia robot zaparkuje na krawędzi basenu. Użyj haka, aby zaczepić uchwyt i wyjąć robota z wody, spuść wodę i wyczyść kosz filtra, jak pokazano poniżej:

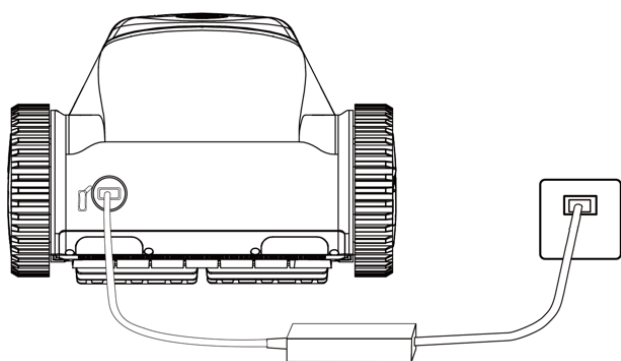


Notatka:

Aby zapobiec obrażeniom, podczas czyszczenia kosza filtra należy nosić gumowe rękawice.






2.4 Ładowanie robota



10. Podłącz adapter do gniazda zasilania i upewnij się, że świeci się czerwony wskaźnik.
11. Zdejmij zaślepkę, aby uzyskać dostęp do portu ładowania urządzenia.
12. Podłącz wtyczkę adaptera do robota. Podczas ładowania robota wskaźnik akumulatora na odkurzaczu miga na zielono, a wskaźnik na adapterze miga na czerwono.
13. Jeśli świecą się 3 zielone lampki na akumulatorze i zielona lampka na zasilaczu, odkurzacz jest w pełni naładowany.

14. Przed ładowaniem odkurzacza upewnij się, że port ładowania jest suchy.
15. Aby chronić akumulator, należy odłączyć ładowarkę po zakończeniu ładowania.
16. Jeśli odkurzacz nie będzie używany przez dłuższy czas, należy ładować go do pełna co najmniej raz na trzy miesiące.
17. Nie ładować urządzenia na zewnątrz.
18. **Notatka: Z robotem należy używać WYŁĄCZNIE oryginalnego zasilacza.**

2.5 Podłączanie do sieci WIFI

Przytrzymaj przycisk  przez 3 sekundy, robot wyemituje sygnał dźwiękowy i przejdzie w tryb wyszukiwania sieci. Zacznie migać . Zaloguj się do aplikacji "AI-BOT", aby wyszukać urządzenie. Po zakończeniu wyszukiwania odkurzacz wyemituje trzy sygnały dźwiękowe i  zaświeci się na zielono po nawiązaniu połączenia z siecią. Ustawieniami robota można sterować za pośrednictwem aplikacji przy użyciu Wi-Fi lub Bluetooth.

Nie będzie możliwe sterowanie ustawieniami robota za pomocą aplikacji, jeśli znajduje się on w basenie (ze względu na fizyczne ograniczenia penetracji sygnału radiowego w wodzie).

Notatka: pobierz aplikację "AI-BOT" z iOS App Store/Google Play Store.



ROZDZIAŁ 3. KONSERWACJA I SERWISOWANIE

UWAGA

3. Aby uniknąć porażenia prądem i innych zagrożeń, które mogą spowodować poważne obrażenia, przed przystąpieniem do czyszczenia lub konserwacji należy odłączyć adapter od źródła zasilania.
4. Przed przystąpieniem do jakichkolwiek czynności konserwacyjnych należy wymienić zatyczkę magnetyczną na spodzie robota, aby uniknąć obrażeń spowodowanych przez obracający się wirnik.

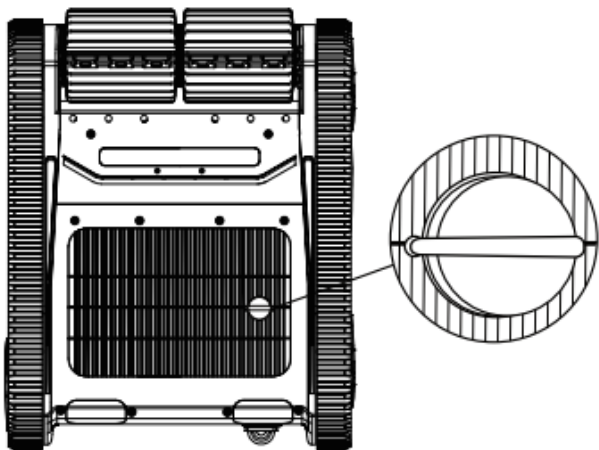
3.1 Konserwacja filtra

1. Regularnie i dokładnie czyść filtr, aby poprawić wydajność czyszczenia i umożliwić łatwe wspinanie się po ścianach basenu. Jeśli filtr jest przepełniony lub zatkany, może to wpłynąć na wydajność czyszczenia i zdolność do wspinania się.
2. Zatkany filtr należy co roku czyścić łagodnym detergentem o odczynie kwaśnym. Należy przy tym używać odpowiedniego sprzętu ochronnego.

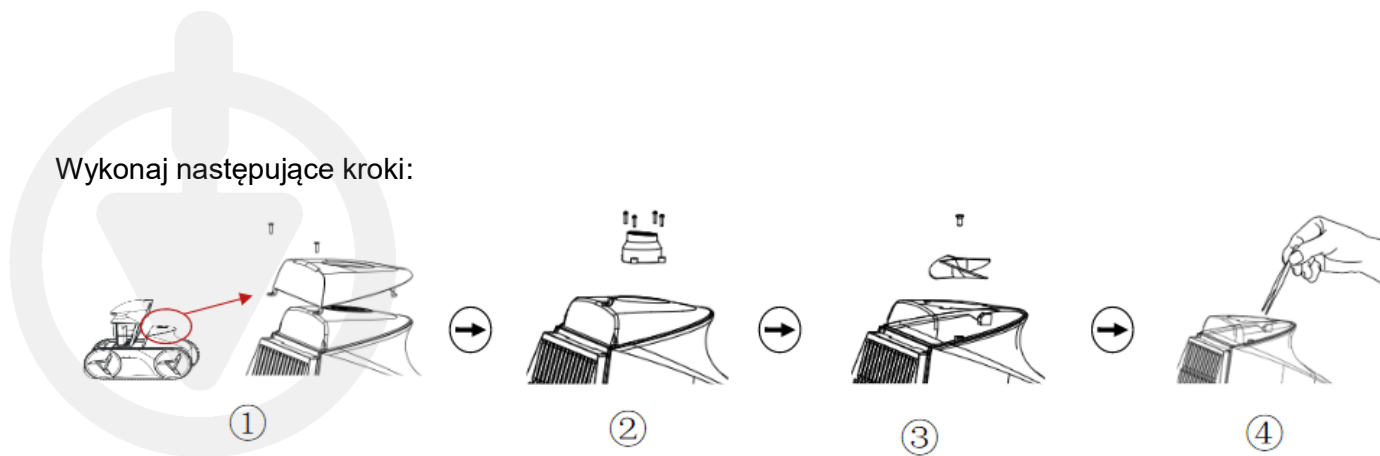
3.2 Konserwacja wirnika

Sprawdzić wzrokowo, czy w wirnik lub wał wirnika nie zaplątały się włosy lub inne zanieczyszczenia; jeśli robot ma zmniejszoną wydajność ssania lub podnoszenia, należy oczyścić wszelkie zanieczyszczenia, które zostały uwięzione w wirniku.

*** Przed przystąpieniem do jakichkolwiek prac przy wirniku OBOWIĄZKOWO należy wymienić pokrywę magnetyczną.**



Wykonaj następujące kroki:

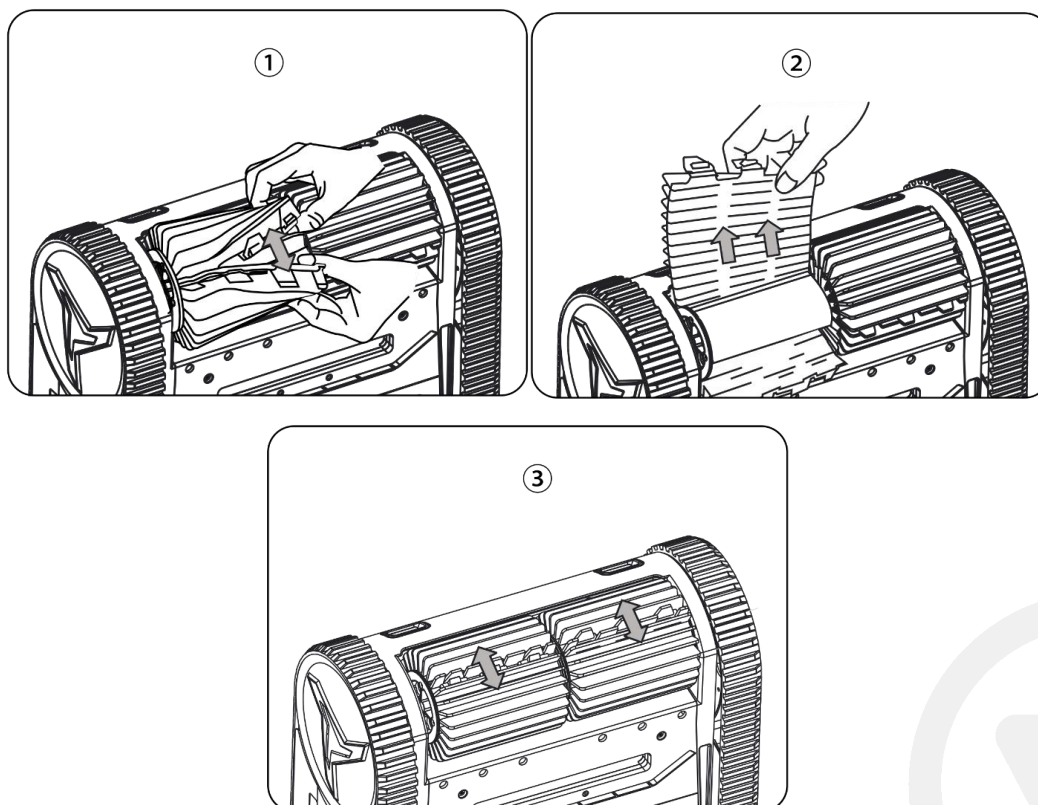


- ① Wyjmij kosz filtra, odkręć śruby mocujące pokrywę pierścienia wlotowego i zdejmij pokrywę pierścienia wlotowego.
- ② Odkręć śruby mocujące deflektor i zdejmij go.
- ③ Odkręć śrubę wirnika i wyjmij wirnik. Uwaga: Podczas demontażu wirnika należy założyć rękawice, aby uniknąć obrażeń spowodowanych ostrymi krawędziami.
- ④ Oczyszczyć wirnik z wszelkich zanieczyszczeń i wymienić wszystkie wymienione powyżej części w odpowiedniej kolejności.

Notatka: W przypadku trudności z serwisowaniem wirnika należy skontaktować się ze sprzedawcą w celu uzyskania pomocy.

3.3 Wymiana zużytych szczotek

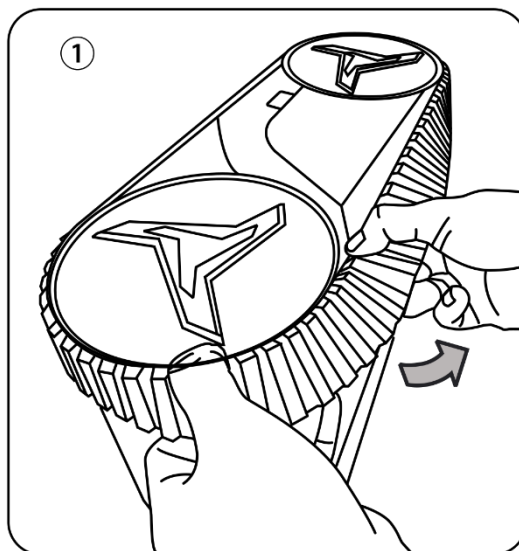
Wymontować zużyte szczotki i zamontować nowe:



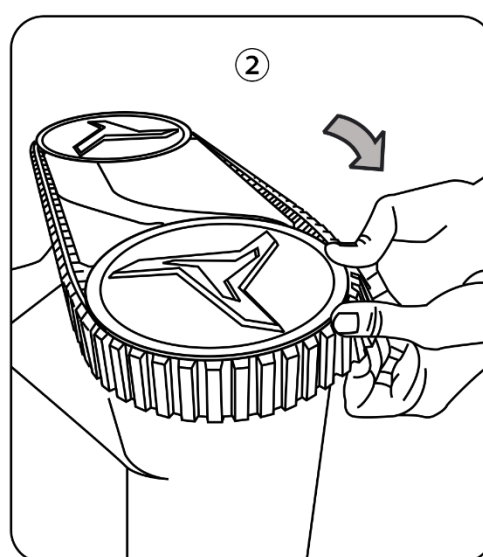
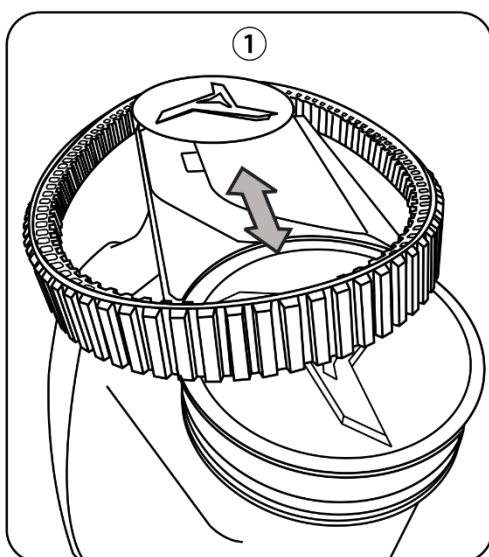
- ① Poluzuj zaciski i wyjmij szczotki.
- ② Zamontuj stronę bez wystających elementów pod uchwyt szczotki.
- ③ Owiń szczotkę wokół uchwytu, włóż zaczepy blokujące do otworów montażowych i pociągnij koniec każdego zaczepu, aż krawędź zaczepu przejdzie przez szczelinę.

3.4 Wymiana zużytych gąsienic

Zdejmij zużyte gąsienice:



Zainstaluj nowe gąsienice:





ROZDZIAŁ 4. WYKRYWANIE I USUWANIE USTEREK

| Usterka | Możliwy problem | Rozwiązanie |
|---|--|--|
| Nie ładuje się | Brud na elektrodzie głowicy ładującej (nie jest to usterka) | Oczyść brud |
| | Pokrywa magnetyczna na spodzie nie została zdjęta (nie jest to usterka) | Zdejmij nasadkę magnetyczną |
| | Ładowarka jest uszkodzona | Wymień ładowarkę |
| Nie włącza się | Nasadka magnetyczna nie jest zdjęta (nie jest to usterka) | Zdejmij nasadkę magnetyczną |
| | Kropki wody na wyświetlaczu robota lub na dłoniach (nie jest to usterka) | Wytrzyj wyświetlacz i ręce do sucha, a następnie spróbuj ponownie |
| | Nieprawidłowa eksploatacja (nie jest to usterka) | Przytrzymaj przycisk zasilania przez 3 sekundy |
| | Akumulator nie jest naładowany (nie jest to usterka) | W pełni naładuj robota |
| Odkurzacz nie działa (nie porusza się, nie ciągnie) | Rozładowana bateria (nie jest to usterka) | W pełni naładuj robota |
| | Robot nie znajduje się w wodzie (nie jest to usterka) | Upewnij się, że robot znajduje się pod wodą, a wskaźniki są podświetlone |
| | Przycisk zasilania nie został naciśnięty po zakończeniu ustawień (nie jest to usterka) | Po zakończeniu ustawień naciśnij przycisk zasilania, upewnij się, że wskaźniki są włączone przed zanurzeniem urządzenia w wodzie |
| | Kosz filtra jest całkowicie wypełniony (nie jest to usterka) | Wyczyść kosz filtra |
| Odkurzacz porusza się, ale nie ciągnie | Wirnik jest zablokowany | Sprawdź, czy w pierścieniu prowadzącym nie znajduje się zbyt dużo zanieczyszczeń wpływających na obroty wirnika. (Przed rozpoczęciem pracy włóż zatyczkę magnetyczną z powrotem na miejsce, aby uniknąć obrażeń spowodowanych obrotami wirnika). |
| | Kosz filtra jest całkowicie wypełniony (nie jest to usterka) | Wyczyść kosz filtra |
| | Wlot wody jest zablokowany (nie jest to usterka) | Wyjmij kosz filtra i wyczyść wlot wody |
| | Niski poziom naładowania baterii (nie jest to usterka) | W pełni naładuj robota |
| Odkurzacz ciągnie, ale się nie porusza | Silnik jest zablokowany | Skontaktuj się ze sprzedawcą w celu wymiany |
| | Gąsienica ześlizgnęła się i utknęła (nie jest to usterka) | Odwróć robota do góry nogami i przewiń ścieżkę do przodu i do tyłu |
| | Gąsienica jest uszkodzona | Wymień gąsienicę |

| | | |
|--------------------------------------|---|--|
| | Zgarniacz jest zablokowany (nie jest to usterka) | Wyczyść zgarniacz |
| | Robot napotkał przeszkodę i wyłączył się w celu automatycznej ochrony (nie jest to usterka) | Usuń przeszkodę i ponownie uruchom odkurzacz |
| | Kosz filtra jest całkowicie wypełniony (nie jest to usterka) | Wyczyść kosz filtra |
| Odkurzacz nie wspina się po ścianach | Tryb czyszczenia dna (nie jest to usterka) | Przejdź do trybu czyszczenia ogólnego |
| | Wirnik jest zablokowany | Sprawdź, czy w pierścieniu prowadzącym nie znajduje się zbyt dużo zanieczyszczeń wpływających na obroty wirnika. (Przed rozpoczęciem pracy włóż zatyczkę magnetyczną z powrotem na miejsce, aby uniknąć obrażeń spowodowanych obrotami wirnika). |
| | Kosz filtra jest całkowicie wypełniony (nie jest to usterka) | Wyczyść kosz filtra |
| | Wlot wody jest zablokowany (nie jest to usterka) | Wyjmij kosz filtra i wyczyść wlot wody |
| Słaba zdolność czyszczenia. | Rozładowana bateria (nie jest to usterka) | W pełni naładuj robota |
| | Wirnik jest zablokowany | Oczyść pierścień prowadzący z zanieczyszczeń i włosów |
| | Kosz filtra jest całkowicie wypełniony (nie jest to usterka) | Wyczyść kosz filtra |
| | Zablokowany wlot wody (nie jest to usterka) | Wyjmij kosz filtra i wyczyść wlot wod |
| | Zgarniacz jest uszkodzony | Wymień zgarniacz |
| | Uszkodzony kosz filtra | Wymień kosz filtra |
| Długo nie zatrzymuje się | Błąd oprogramowania | Włóż nasadkę magnetyczną na 5 sekund, a następnie zdejmij ją i ponownie uruchom odkurzacz |

Notatka:

7. Nie używaj odkurzacza, gdy w basenie znajdują się ludzie lub zwierzęta.
8. Przed przystąpieniem do konserwacji robota należy odłączyć ładowarkę od źródła zasilania.
9. W przypadku problemów nieopisanych w Instrukcji należy skontaktować się ze sprzedawcą.
10. Robot zwykle zatrzymuje się, gdy wystąpi jakakolwiek usterka lub gdy poziom naładowania baterii spadnie poniżej 15%.
11. Jeśli wystąpi błąd, uruchom ponownie robota, umieszczając nasadkę magnetyczną w jego dolnej części.

12. Jeśli robot działa nieprawidłowo, na panelu sterowania pojawi się kod błędu (patrz 2.1), a przycisk zasilania  na panelu sterowania będzie migać na czerwono. Naciśnięcie przycisku zasilania  spowoduje skasowanie ostrzeżenia o błędzie i umożliwi kontynuowanie pracy robota. Jeśli błąd wystąpi ponownie, należy zapoznać się z instrukcją rozwiązywania problemów.

Wewnątrz



Wyłącznik zasilania tylko do użytku wewnątrz pomieszczeń.

Utylizacja



W celu utylizacji produktu należy oddać go do wyznaczonego punktu zbiórki zużytego sprzętu elektrycznego i elektronicznego.

Dzięki sortowaniu i recyklingowi zużytego sprzętu podczas jego utylizacji, zostanie on ponownie wykorzystany w sposób chroniący zdrowie ludzkie i środowisko.

Aby uzyskać więcej informacji na temat centrów recyklingu, skontaktuj się z lokalnymi władzami.

Wyjątki od gwarancji

Gwarancja traci ważność, jeśli wystąpi którakolwiek z poniższych sytuacji:

- * Nieprawidłowe działanie urządzenia z powodu nieprzestrzegania instrukcji.
- * Uszkodzenia robota spowodowane niewłaściwym użytkowaniem lub uszkodzeniem z jakiegokolwiek powodu innego niż wada produkcyjna.
- * Jeśli odkurzacz basenowy jest naprawiany lub serwisowany przez nieautoryzowanego sprzedawcę lub punkt serwisowy.
- * Jeśli plomba akumulatora zostanie uszkodzona przez nieautoryzowaną punkt serwisowy.
- * Jeśli akumulator został naładowany przy użyciu niecertyfikowanego zasilacza.
- * Jeśli odkurzacz działa nieprawidłowo z powodu użycia niecertyfikowanych akcesoriów.
- * Ogólne zużycie materiałów eksploatacyjnych (filtr, gąsienice, szczotki).



A futuristic, white and red robotic pool cleaner with large, treaded wheels is shown in a modern, brightly lit pool area. The robot has a sleek, aerodynamic design with a red top section and a white body. It is positioned on a light-colored pool deck. The background features a large, curved, red and orange architectural structure that creates a dramatic, high-tech atmosphere. The lighting is bright, casting shadows on the pool deck.

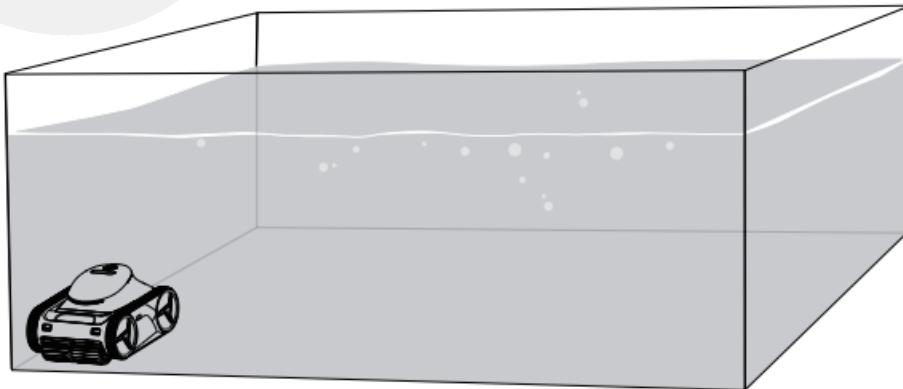
AI-WIRELESS ROBOTIC POOL CLEANER

 Посібник користувача

★ ★ ПОРАДИ ★ ★

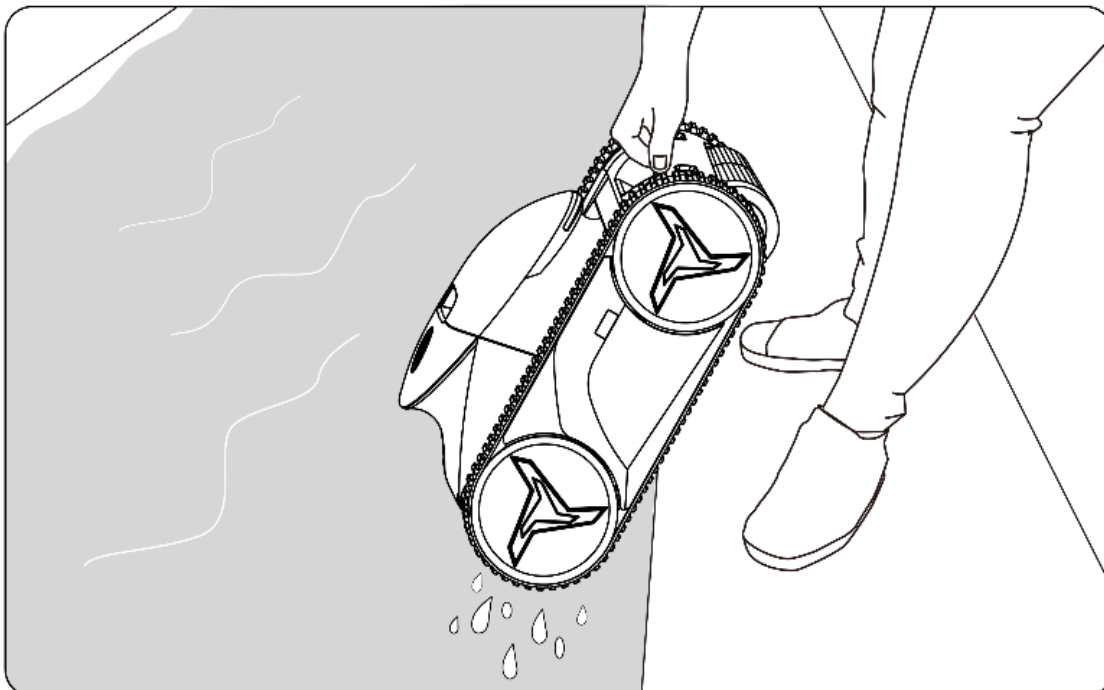
Як забезпечити найбільш ефективне прибирання

Розмістіть робота в кутку басейну для швидкого охоплення всієї площі дна басейну.

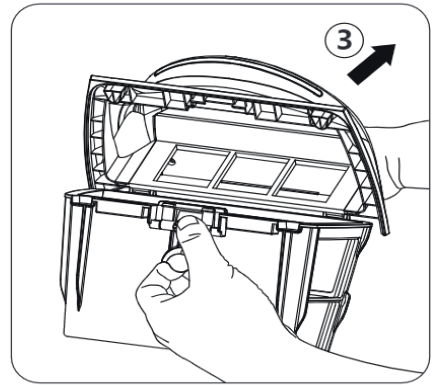
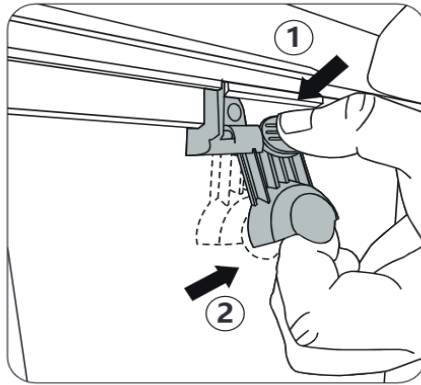
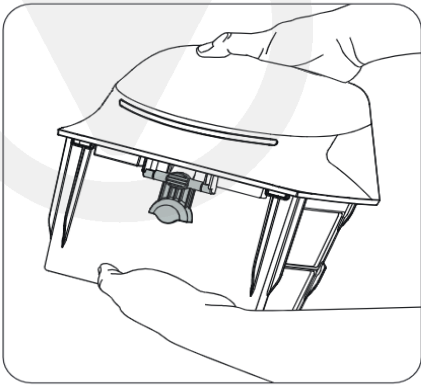


Як видалити воду з робота

Поставте пилосос на край басейну на деякий час і дозвольте воді стекти.



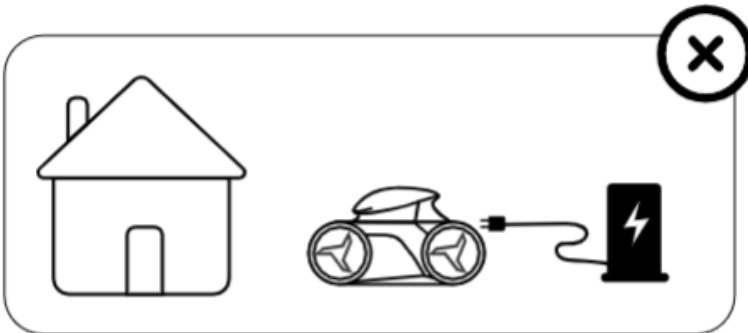
Як відкрити корпус фільтра



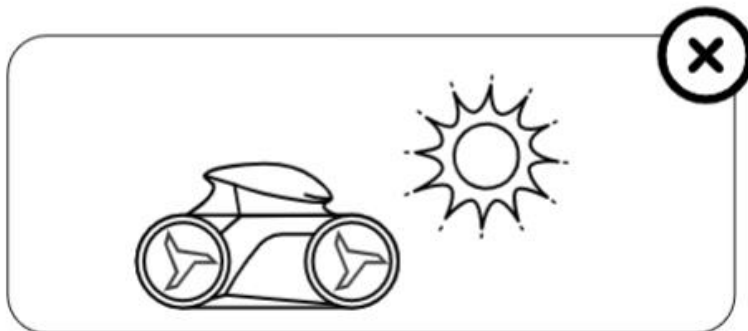
! Для захисту акумулятору робота слід повністю заряджати кожні 3 місяці, а якщо робот не використовується довше 14 днів, слід встановити магнітну заглишку на місце.



Не заряджайте робота на відкритому повітрі.



Не залишайте робота на сонці протягом тривалого часу.



ПОПЕРЕДЖЕННЯ

Ця сторінка містить інформацію, яка допоможе вам безпечно використовувати робота, запобігти можливим небезпекам і не заподіяти шкоди самому роботу або іншому майну.

ЗАГАЛЬНІ ПОПЕРЕДЖЕННЯ

- Перед початком експлуатації роботу прочитайте інструкцію.
- Робот призначений для чищення басейнів; не використовуйте його для інших цілей.
- Тримайте робота в недоступному для дітей або осіб з обмеженими фізичними, сенсорними або розумовими здібностями місці без нагляду або відповідних інструкцій.
- Встановлюйте, експлуатуйте та обслуговуйте робота відповідно до вимог цього посібника.
- Робот має бути встановлений відповідно до рекомендацій виробника та з дотриманням відповідних вимог місцевих або національних стандартів щодо умов монтажу. Виробник не несе відповідальності за будь-які наслідки, пов'язані з недотриманням рекомендацій щодо встановлення, використання або технічного обслуговування.
- Неправильне встановлення або використання пристрою може призвести до серйозних матеріальних збитків або травмування людей.
- Не заходьте в басейн, коли робот знаходиться у воді.

ПОПЕРЕДЖЕННЯ ЩОДО ВИКОРИСТАННЯ

- Для підзарядки акумулятору використовуйте тільки знімний блок живлення, що постачається з роботом. Використовуйте блок живлення на відстані не менше 3,5 метрів від краю басейну.
- Перед виконанням будь-якого технічного обслуговування пилососу від'єднайте його від джерела живлення та встановіть на місце магнітну заглушку.
- Не обслуговуйте пилосос мокрими руками.
- Перед початком технічного обслуговування відключіть пилосос від електромережі.
- У разі виникнення несправностей не намагайтеся самостійно ремонтувати апарат і не відкривайте моторний відсік, зверніться до дилера.
- Якщо під час заряджання з'явилася будь-яка несправність або неприємний запах від робота, негайно від'єднайте його від джерела живлення і зверніться до свого постачальника.
- Для обслуговування та ремонту використовуйте лише оригінальні запасні частини, що постачаються виробником.

ЗАГАЛЬНІ УМОВИ ЕКСПЛУАТАЦІЇ

- i. Глибина: 0.4-3м
 - ii. Температура води: 4°C~35°C (температура нижче 15°C може вплинути на час роботи)
 - iii. PH: 7.0-7.8
 - iv. NaCl: 5000 PPM, MAX
 - v. Хлор: 4 PPM, MAX
- З метою захисту двигуна робот автоматично припинить роботу, якщо глибина води буде менше 40 сантиметрів.
 - Не використовуйте робота під час проведення шокowego хлорування.
 - Не використовуйте робота під час грози або буревію.
 - Не піддавайте робота впливу дощу або прямих сонячних променів протягом тривалого часу.

ЗАСТЕРЕЖЕННЯ

- Перед тим, як підняти робота з води, потримайте його біля краю басейну, аби з нього стекла вода, робіть це повільно, щоб запобігти травмуванню спини.
- Очищуйте кошик фільтру після кожного циклу прибирання.
- Не піднімайте робота з води за гусениці.

НАГАДУВАННЯ

- Коли заряд батареї пилососа нижче 30%, він буде чистити тільки дно басейну.
 - a. Зберігання робота:
 - i. Перед зберіганням переконайтеся, що робот повністю сухий. Це допоможе запобігти руйнуванню або пошкодженню двигунів чи внутрішньої конструкції.
 - ii. Кошик фільтру слід ретельно очищувати після кожного використання.
 - iii. При тривалому зберіганні зарядний кабель має бути акуратно згорнутий, без перекручувань.
 - b. Оптимальна температура зберігання -10-45°C, а вологість - 30%-70% RH.



Зміст

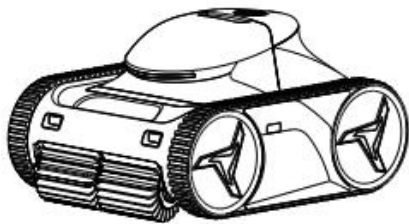
| | |
|---|-----------|
| РОЗДІЛ 1. ОГЛЯД ПРОДУКТУ | 7 |
| 1.1 Вміст упаковки | 7 |
| 1.2 Технічні характеристики..... | 8 |
| 1.3 Підготовка | 9 |
| РОЗДІЛ 2. ЕКСПЛУАТАЦІЯ | 10 |
| 2.1 Огляд панелі керування..... | 10 |
| 2.2 Робота з дисплеєм пристрою..... | 11 |
| 2.3 Очищення кошика фільтру | 12 |
| 2.4 Заряджання роботи..... | 12 |
| 2.5 Підключення до мережі WIFI..... | 13 |
| РОЗДІЛ 3. ТЕХНІЧНЕ ОБСЛУГОВУВАННЯ | 14 |
| 3.1 Обслуговування фільтру..... | 14 |
| 3.2 Обслуговування крильчатки | 14 |
| 3.3 Заміна зношених щіток | 15 |
| 3.4 Заміна зношених гусениць | 16 |
| РОЗДІЛ 4. ПОШУК ТА УСУНЕННЯ НЕСПРАВНОСТЕЙ..... | 17 |



РОЗДІЛ 1. ОГЛЯД ПРОДУКТУ

1.1 Вміст упаковки

В комплект поставки пилососу входять наведені нижче предмети. Будь ласка, зв'яжіться з вашим дилером у разі втрати або пошкодження будь-якого з них.



①



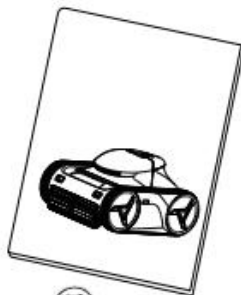
②



③



④



⑤

① Робот ② Зарядний пристрій ③ Гак ④ Магнітна заглушка*2 ⑤ Посібник користувача

Примітка:

1. Знімайте магнітну заглушку ④ під час використання або заряджання. Якщо робот не використовується більше 14 днів, вставляйте магнітну заглушку в нижній частині апарату для захисту акумулятора.
2. Якщо робот вийшов з ладу, вставте магнітну заглушку ④ в робот на 2 секунди, потім витягніть її і перезавантажте роботу.



1.2 Технічні характеристики

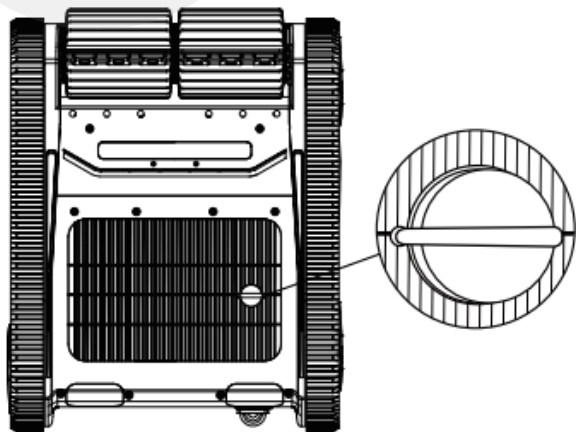
| Модель | X80 | X60 | X45 | X30 |
|--|---|----------------|----------------|----------------|
| Інформація про умови експлуатації*: Дно | | | | |
| Час роботи | 8 год | 6 год | 4.5 год | 3 год |
| Інформація про умови експлуатації*: Дно / стіни / ватерлінія | | | | |
| Час роботи | 4.5 год | 3.5 год | 2.5 год | 2 год |
| Час заряджання | 5 год | 4 год | 3 год | 2 год |
| Розмір басейну | 12x10м | | | |
| Батарея | 14Ah (352wh) | 10.4Ah (262wh) | 7.8Ah (196wh) | 5.2Ah (131wh) |
| Оптимальна температура води в басейні | 4~35°C | | | |
| Режим очищення | Тільки дно / Дно, стіни та ватерлінія | | | |
| Функція декількох циклів | 0.5год/1год/2год Повний цикл | | | |
| AI таймер | Очищення кожні 24 год / 48 год / 72 год | | | |
| Додаток | ТАК | | | |
| Продуктивність фільтру | 3.2л | | | |
| Точність фільтрації | 180µm | | | |
| Продуктивність насосу | 22-10(м³/ч) | 20-10(м³/ч) | | |
| Робоча потужність | 30-110Вт | | | |
| Швидкість руху | 12м/хв | | | |
| Кількість двигунів | 3 | | | |
| Вхід зарядного пристрою | 90-265В змінного струму ~ 50/60Гц | | | |
| Робоча напруга/струм | 25.2В/1.2А | | | |
| Потужність зарядного пристрою | 72.5Вт | | | |
| Вага НЕТТО/БРУТТО | 12 / 17 кг | 12 / 17 кг | 11.5 / 16.5 кг | 11.5 / 16.5 кг |
| Розміри пилососу (Д*Ш*В) | 495*395*265 мм | | | |
| Розміри упаковки (Д*Ш*В) | 580*448*330 мм | | | |

* Робочий час, зазначений вище, заснований на 2-х годинному прибиранні в режимі "Дно" в басейні, оздобленому лайнером.

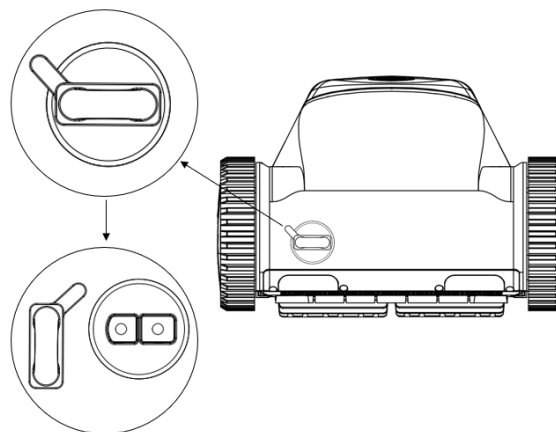
Примітка: Виробник залишає за собою право змінювати ці технічні характеристики без попереднього повідомлення.

1.3 ОГЛЯД ПРОДУКТУ

① Зніміть магнітну заглишку в нижній частині пилососу та зберігайте її в надійному місці.

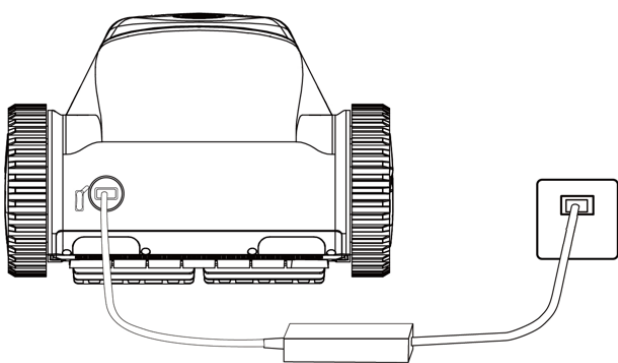


② Зніміть захисну заглишку. Після завершення процесу заряджання заглишку слід встановити на місце.

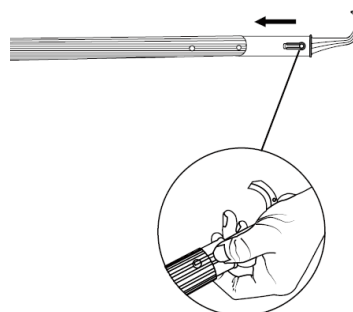


③ Підключіть до електромережі (90-265 В) за допомогою зарядного пристрою з комплекту. Червоний індикатор: пристрій заряджається; Зелений індикатор: пристрій повністю заряджений. Повністю зарядіть робота перед першим використанням.

* Рекомендована температура для заряджання: 6-35°C



④ Встановіть гак на штангу (штанга є ексклюзивною).



РОЗДІЛ 2. ЕКСПЛУАТАЦІЯ

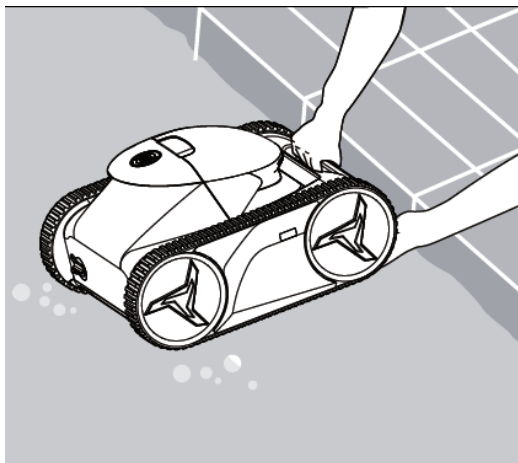
УВАГА

Задля попередження можливих пошкоджень пристрою або травмування людей, обов'язково дотримуйтесь наступних вказівок:

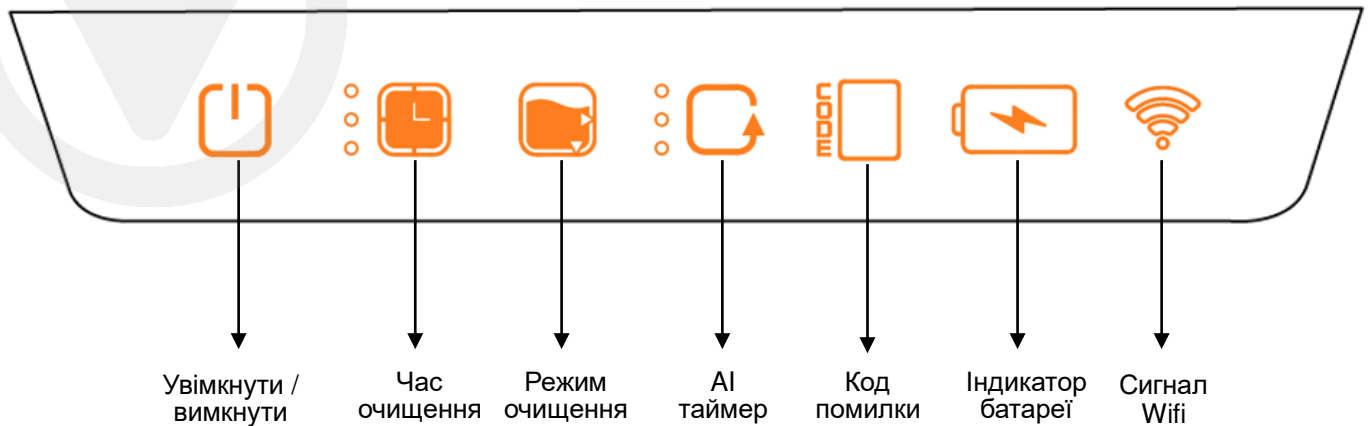
- e. Після завершення очищення помістіть робота в прохолодне сухе місце, подалі від прямих сонячних променів
- f. Будьте обережні при вилученні робота з басейну, спочатку слід дочекатися поки з нього стече вода.

ВАЖЛИВО




- Після виконання налаштувань опустіть пилосос у воду протягом 30 секунд, інакше робот перейде в режим сну.
- Очищуйте кошик фільтру після завершення циклу прибирання. Не слід чистити поверхню контейнера фільтру безпосередньо руками.
- Пилосос оснащено функцією безпеки, яка автоматично зупиняє роботу в разі сухого ходу.
- Повертаючи робота в усіх напрямках, випустіть повітря, що потрапило всередину, перш ніж опустити його у басейн.







2.1 Огляд панелі керування



| Кнопка | Іконка | Індикація | Опис |
|--------------------|--------|---|---|
| Перемикач живлення | | Зелене світло блимає | Стан налаштування |
| | | Зелене світло постійно світить | Стан роботи / Стан перевірки під водою |
| Час очищення | | 1 зелений індикатор горить постійно | Час очищення: 0.5 год |
| | | 2 зелених індикатори горять постійно | Час очищення: 1.0 год |
| | | 3 зелених індикатори горять постійно | Час очищення: 2.0 год* |
| | | Всі індикатори вимкнені | Прибирання до повного розрядження акумулятору |
| Режим очищення | | Трикутний зелений індикатор знизу світиться | Режим очищення дна |
| | | Обидва трикутні зелені індикатори світяться | Загальний режим очищення (дно, стіни, ватерлінія) |
| AI таймер | | 1 зелений індикатор горить постійно | Прибирання кожні 24 год |
| | | 2 зелених індикатори горять постійно | Прибирання кожні 48 год |
| | | 3 зелених індикатори горять постійно | Прибирання кожні 72 год |
| | | Всі індикатори вимкнені | Таймер AI не потрібен |
| Код помилки | | 1 | Несправність лівого приводу |
| | | 2 | Несправність правого приводу |
| | | 3 | Несправність водяного насосу |
| | | 4 | Порушення зв'язку з панеллю керування |
| | | 5 | Несправність інфрачервоного датчика |
| | | 6 | Несправність датчика води |




| | | | |
|--|---|---|---------------------------------|
| Індикатор заряду батареї (стан без заряджання) |  | 1 зелений індикатор горить постійно | Рівень заряду батареї: 20-50%. |
| | | 2 зелених індикатори горять постійно | Рівень заряду батареї: 50-75%. |
| | | 3 зелених індикатори горять постійно | Рівень заряду батареї: 75-100% |
| Низький заряд батареї | | 1 червоний індикатор блимає | Рівень заряду батареї: 15-20%. |
| Індикатор заряду батареї (стан під час заряджання) |  | 1 зелений індикатор блимає | Рівень заряду батареї: 0-50% |
| | | 1 зелений індикатор горить, 1 зелений індикатор блимає | Рівень заряду батареї: 50-75% |
| | | 2 зелених індикатори горять, 1 зелений індикатор блимає | Рівень заряду батареї: 75-100% |
| | | 3 зелені індикатори світяться постійно | Рівень заряду батареї: 100% |
| Сигнал Wifi |  | Зелений індикатор блимає | Підключення до мережі |
| | | Зелений індикатор горить | Мережа знайдена |
| | | Червоний індикатор блимає | Не вдалося встановити з'єднання |

2.2 Робота з дисплеєм пристрою

5. Утримуйте  протягом 3 секунд, щоб активувати робота. Коли почне блимати , розпочніть налаштування робота. Натисніть  ще раз для підтвердження налаштувань. Далі опустіть пілосос у воду. Він почне прибирання автоматично, щойно торкнеться дна. Зверніть увагу, якщо  блимає протягом 30 секунд і не виконується жодних дій, робот вимикається і переходить у режим сну.

* Примітка: Існує два різних варіанти налаштування AI Таймеру: 

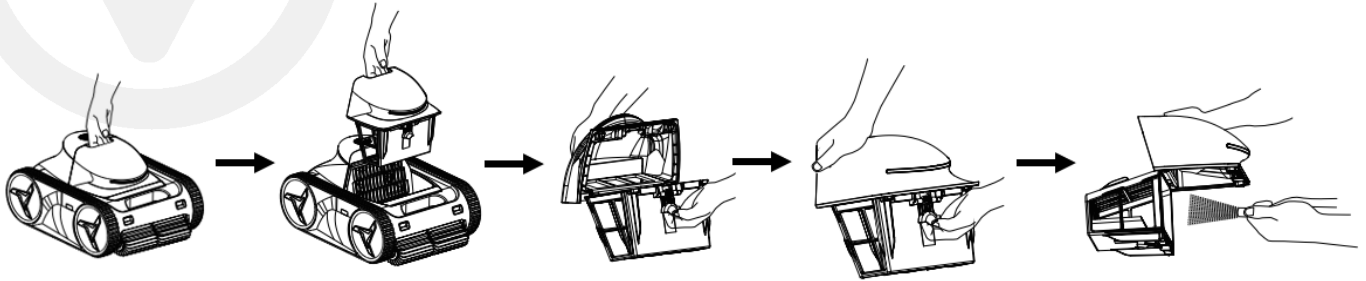
(Для прикладу, візьмемо значення "Очищення кожні 24 години" у AI Таймері)

- e. Натисніть  один раз і опустіть пілосос у воду. Він негайно розпочне роботу. Після одного циклу прибирання робот перейде в режим сну і автоматично прокинеться через 24 години.
- f. Натисніть і утримуйте протягом 3 секунд  а потім опустіть пілосос у воду. Він перейде в режим сну. Через 24 години робот автоматично прокинеться і почне прибирання.
6. Якщо під час циклу прибирання заряд акумулятору становить менше 15%, починає блимати червоний індикатор . Робот самостійно припаркується біля краю басейну, а через 5 хвилин перейде в режим сну.



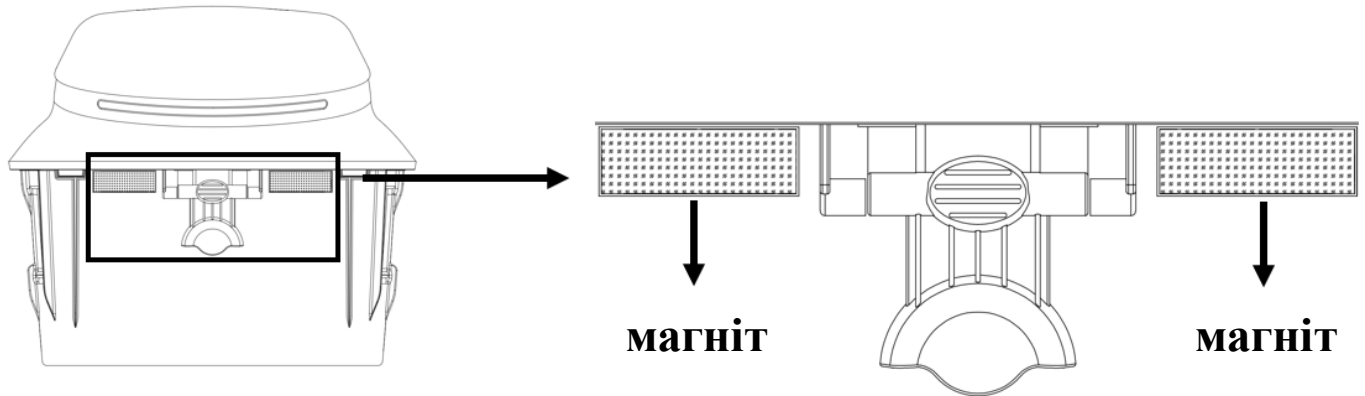
2.3 Очищення кошика фільтру

Після завершення циклу прибирання робот самостійно припаркується біля краю басейну. За допомогою гачка підчепіть ручку і підніміть робота з води, злийте воду і очистіть кошик фільтру, як зображено нижче:

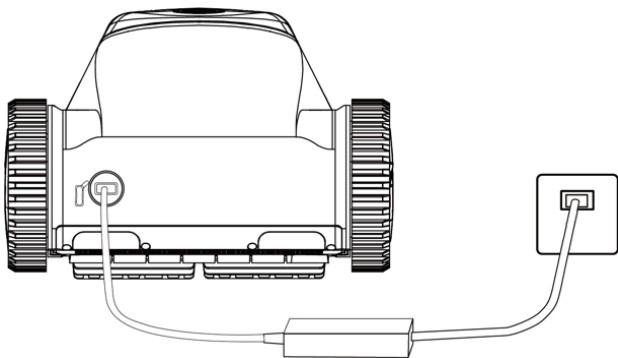


Примітка:

Аби запобігти травмуванню, під час чищення кошика фільтру використовуйте гумові рукавички.






2.4 Зарядження роботу



19. Підключіть адаптер до електромережі та переконайтеся, що загорівся червоний індикатор.
20. Дістаньте заглушку, аби отримати доступ до зарядного порту пристрою.
21. Підключіть штекер адаптера до роботу. Коли робот заряджається, індикатор акумулятору пилососу блимає зеленим, а індикатор на адаптері - червоним.
22. Якщо на акумуляторі горять 3 зелених індикатори, і на адаптері живлення горить зелений індикатор, це означає, що пилосос повністю заряджений.

23. Перш ніж заряджати пілосос, переконайтеся, що зарядний порт сухий.
24. Для захисту акумулятора після завершення заряджання від'єднайте зарядний пристрій.
25. Якщо ви не плануєте використовувати пілосос протягом тривалого часу, його слід повністю заряджати не рідше одного разу на три місяці.
26. Не рекомендується заряджати апарат на відкритому повітрі.
27. **Примітка: Використовуйте з роботом ТІЛЬКИ оригінальний адаптер живлення.**

2.5 Підключення до мережі WIFI

Утримуйте кнопку  протягом 3 секунд, робот видасть звуковий сигнал і перейде в режим пошуку мережі. Почне блимати . Увійдіть у додаток "AI-BOT" для пошуку пристрою. Після завершення пошуку пілосос видасть три звукові сигнали і після з'єднання з мережею  засвітиться зеленим.

Налаштуванням робота можна керувати через додаток за допомогою Wifi або Bluetooth.

Ви не зможете керувати налаштуваннями роботу за допомогою застосунку, якщо він знаходиться в басейні (через фізичне обмеження проникнення радіосигналу у воді).

Примітка: завантажте додаток "AI-BOT" в iOS App Store/ Google Play Store.



РОЗДІЛ 3. ТЕХНІЧНЕ ОБСЛУГОВУВАННЯ

УВАГА

5. Щоб уникнути ураження електричним струмом та інших чинників, які можуть призвести до серйозних травм, від'єднайте адаптер від джерела живлення перед виконанням будь-яких робіт з очищення та обслуговування.
6. Перед проведенням будь-яких операцій з технічного обслуговування обов'язково вставте магнітну заглушку на місце в нижній частині робота, аби уникнути травм, спричинених обертанням крильчатки.

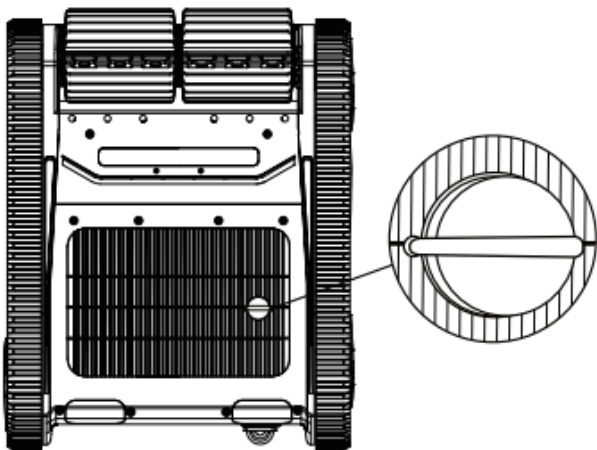
3.1 Обслуговування фільтра

1. Регулярно та ретельно очищуйте фільтр для покращення ефективності прибирання та підйому по стінках басейну. Якщо фільтр переповнений або засмічений, це може вплинути на ефективність очищення та здатність підйому.
2. Щорічно очищуйте засмічений фільтр м'яким кислотним миючим засобом. При цьому обов'язково використовуйте відповідне захисне спорядження.

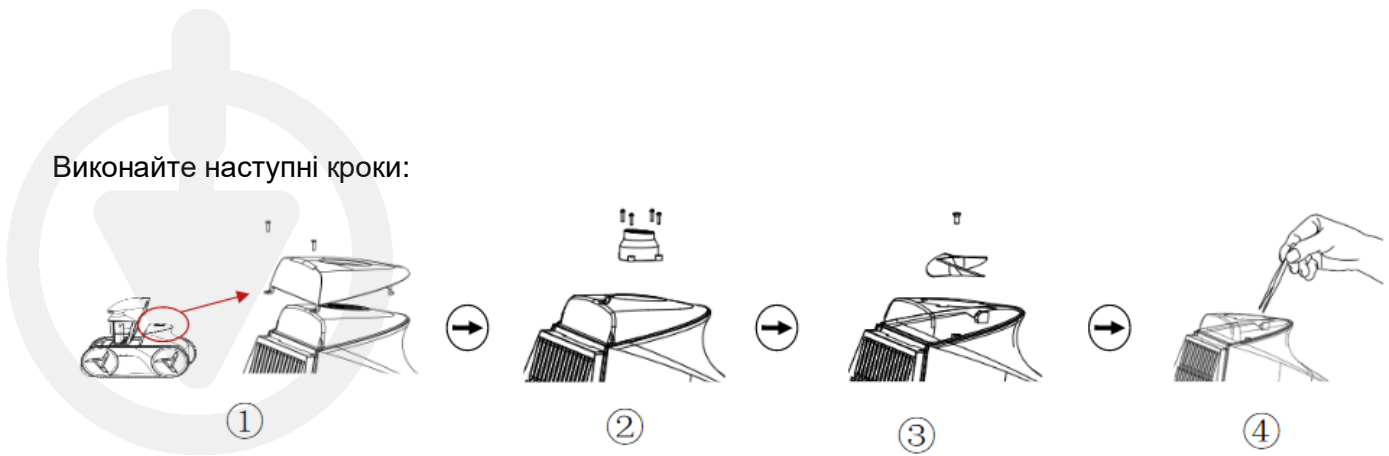
3.2 Обслуговування крильчатки

Візуально перевірте, чи не заплуталося в крильчатці або валу крильчатки волосся або інше сміття, якщо робот має знижену продуктивність всмоктування або підйому, очистіть сміття, що потрапило в крильчатку.

*** Перед виконанням будь-яких операцій із крильчаткою ОБОВ'ЯЗКОВО установіть магнітну заглушку на місце.**



Виконайте наступні кроки:

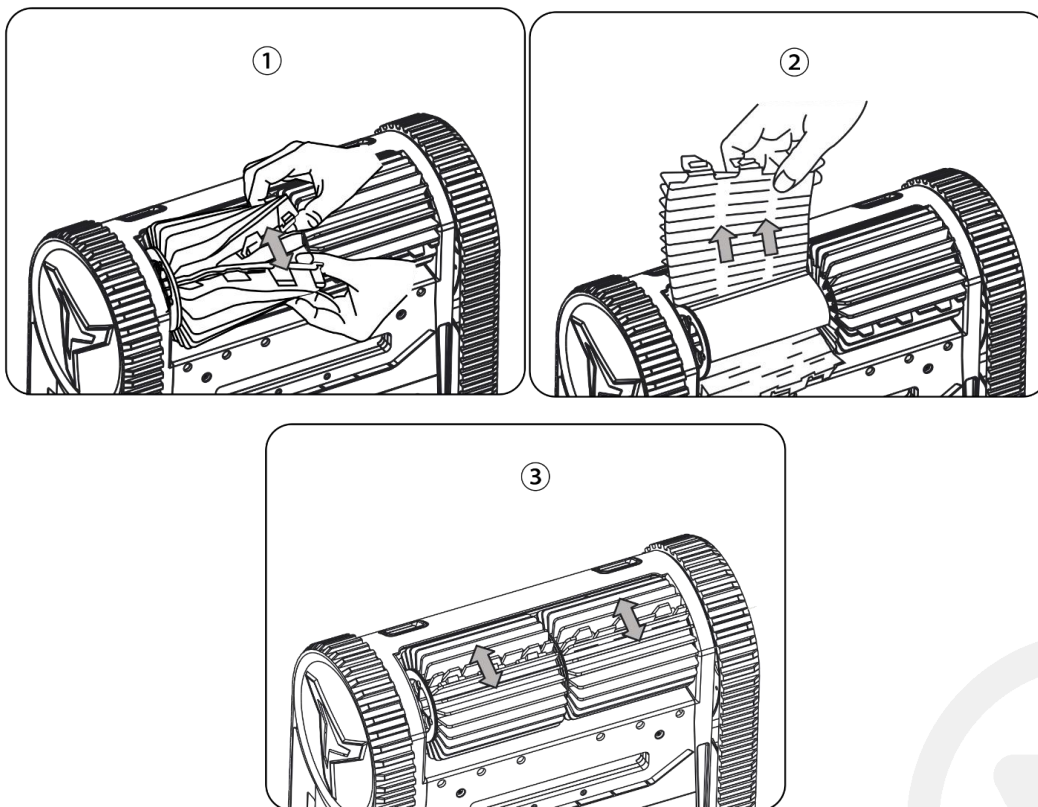


- ① Дістаньте кошик фільтру, відкрутіть кріпильні гвинти кришки впускного кільця і зніміть кришку впускного кільця.
- ② Відкрутіть фіксуючі гвинти дефлектора і вийміть дефлектор.
- ③ Відкрутіть гвинт крильчатки і дістаньте крильчатку. Примітка: Під час демонтажу крильчатки надягайте рукавички, аби запобігти травмуванню гострими краями.
- ④ Очистіть крильчатку від сміття і встановіть на місце всі частини, які були згадані вище, у відповідному порядку.

Примітка: Якщо у вас виникли труднощі з обслуговуванням крильчатки, зверніться за допомогою до дилера.

3.3 Заміна зношених щіток

Зніміть зношені щітки та встановіть нові:



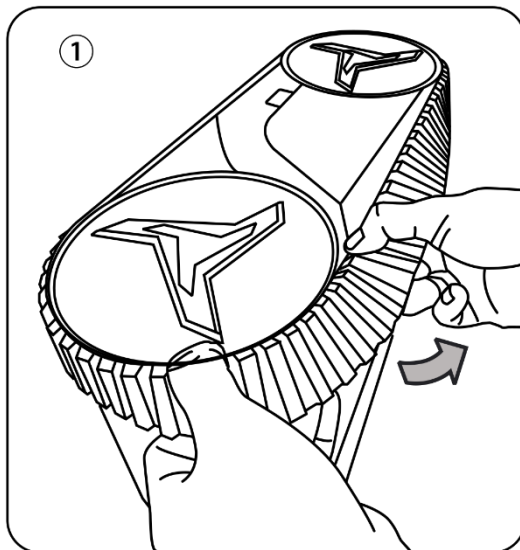
- ① Роз'єднайте фіксатори і зніміть щітки.



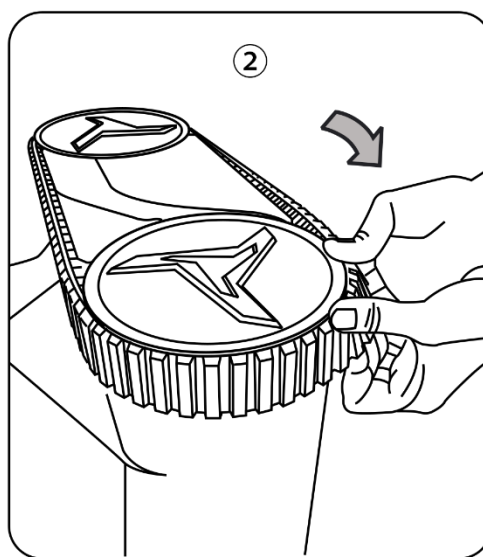
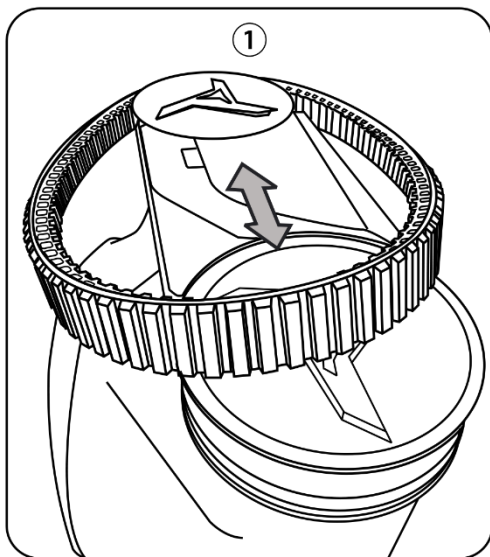
- ② Встановіть сторону без виступів під тримач щітки.
- ③ Оберніть щітку навколо тримача, вставте фіксуючі виступи в отвори для кріплення і потягніть за кінець кожного з них, доки його край не пройде крізь щілину.

3.4 Заміна зношених гусениць

Зніміть зношені гусениці:



Встановіть нові гусениці:





РОЗДІЛ 4. ПОШУК ТА УСУНЕННЯ НЕСПРАВНОСТЕЙ

| Несправність | Можлива проблема | Вирішення |
|--|--|---|
| Не заряджається | Забруднення на електроді зарядної головки (не є несправністю) | Очистіть забруднення |
| | Не знято магнітну заглушку знизу (не є несправністю) | Зніміть магнітну заглушку |
| | Пошкоджено зарядний пристрій | Замініть зарядний пристрій |
| Не вмикається | Не знято магнітну заглушку (не є несправністю) | Зніміть магнітну заглушку |
| | Краплі води на дисплеї робота або на руках (не є несправністю) | Витріть дисплей і руки насухо, потім спробуйте ще раз |
| | Неправильна експлуатація (не є несправністю) | Утримуйте кнопку живлення протягом 3 секунд |
| | Акумулятор не заряджений (не є несправністю) | Повністю зарядіть робота |
| Пилосос не працює (не рухається, не тягне) | Розряджений акумулятор (не є несправністю) | Повністю зарядіть робота |
| | Робот не в воді (не є несправністю) | Переконайтеся, що робот під водою, а індикатори світяться |
| | Не натискається кнопка живлення після завершення налаштувань (не є несправністю) | Після завершення налаштувань натисніть кнопку живлення, переконайтеся, що індикатори світяться, перш ніж занурювати апарат у воду |
| | Кошик фільтру повністю заповнений (не є несправністю) | Очистіть кошик фільтру |
| Пилосос рухається, але не тягне | Крильчатку заблоковано | Перевірте, чи не забагато сміття в направляючому кільці, що впливає на обертання крильчатки. (Будь ласка, вставте магнітну заглушку на місце перед початком роботи, аби уникнути травм, спричинених обертанням крильчатки). |
| | Кошик фільтру повністю заповнений (не є несправністю) | Очистіть кошик фільтру |
| | Вхід води заблоковано (не є несправністю) | Вийміть кошик фільтру та очистіть вхідний отвір для води |
| | Розряджений акумулятор (не є несправністю) | Повністю зарядіть робота |
| Пилосос тягне, але не рухається | Двигун заблоковано | Зверніться до дилера щодо заміни |
| | Гусениця зісковзнула і застрягла (не є несправністю) | Переверніть робота догори дном і прокрутіть гусеницю вперед і назад |
| | Гусениця пошкоджена | Замініть гусеницю |

| | | |
|------------------------------------|--|---|
| | Шкребок заблоковано (не є несправністю) | Очистіть шкребок |
| | Робот зіткнувся з перешкодою і вимкнувся для автоматичного захисту (не є несправністю) | Усуньте перешкоду та перезапустіть пилосос |
| | Кошик фільтру повністю заповнений (не є несправністю) | Очистіть кошик фільтру |
| Пилосос не піднімається по стінках | Режим прибирання дна (не є несправністю) | Перейдіть до режиму загального прибирання |
| | Крильчатку заблоковано | Перевірте, чи не забагато сміття в направляючому кільці, що впливає на обертання крильчатки. (Будь ласка, вставте магнітну заглушку на місце перед початком роботи, аби уникнути травм, спричинених обертанням крильчатки). |
| | Кошик фільтру повністю заповнений (не є несправністю) | Очистіть кошик фільтру |
| | Вхід води заблоковано (не є несправністю) | Вийміть кошик фільтру та очистіть вхідний отвір для води |
| Погана здатність до очищення. | Розряджений акумулятор (не є несправністю) | Повністю зарядіть робота |
| | Крильчатку заблоковано | Очистіть направляюче кільце від сміття та волосся |
| | Кошик фільтру повністю заповнений (не є несправністю) | Очистіть кошик фільтру |
| | Вхід води заблоковано (не є несправністю) | Вийміть кошик фільтру та очистіть вхідний отвір для води |
| | Шкребок пошкоджено | Замініть шкребок |
| | Пошкоджено кошик фільтру | Замініть кошик фільтру |
| Довго не зупиняється | Помилка програмного забезпечення | Вставте магнітну заглушку на 5 секунд, потім вийміть її та перезапустіть пилосос |

Примітка:

13. Не використовуйте пилосос, коли в басейні знаходяться люди або тварини.
14. Перед початком технічного обслуговування робота НЕОБХІДНО ВІД'ЄДНАТИ зарядний пристрій від мережі.
15. Для вирішення проблем, не описаних у Посібнику з усунення несправностей, зверніться до дилера.
16. Зазвичай робот зупиняється, коли він зазнає будь-яких несправностей або коли рівень заряду акумулятору стає менше 15%.
17. Якщо виникла помилка, перезапустіть робота, розмістивши магнітну заглушку в його нижній частині.

18. Якщо робот несправний, на панелі керування з'явиться код помилки (див. 2.1), а кнопка живлення  на панелі керування почне блимати червоним. Натискаючи кнопку живлення , ви видалите попередження про помилку і дозволите роботу працювати далі, якщо помилка виникає знову, будь ласка, зверніться до посібника з усунення несправностей.

В приміщенні



Перемикач живлення тільки для використання всередині приміщень.

Утилізація



Утилізуючи виріб, будь ласка, передайте його до спеціального пункту збору для переробки відпрацьованого електричного та електронного обладнання.

Завдяки сортуванню та переробці відпрацьованого обладнання під час утилізації воно буде повторно використане у спосіб, що захищає здоров'я людей та навколишнє середовище.

Для отримання додаткової інформації про пункти прийому відходів на переробку зверніться до місцевої влади.

Винятки із Гарантії

Гарантія не є дійсною, якщо має місце будь-яка з наведених нижче ситуацій:

- * Неправильна експлуатація пристрою через недотримання інструкцій.
- * Пошкодження, завдані роботі внаслідок неправильного використання, або пошкодження, спричинені будь-якими іншими причинами, окрім виробничого дефекту.
- * Якщо робот для чищення басейну ремонтується або обслуговується неавторизованим дилером або станцією технічного обслуговування.
- * Якщо було пошкоджено пломбу акумулятору на неавторизованій сервісній станції.
- * Якщо ви заряджали акумулятор, використовуючи несертифікований адаптер живлення.
- * Якщо збій в роботі пилососу стався внаслідок використання несертифікованих аксесуарів.
- * Загальний знос витратних матеріалів (фільтр, гусениці, щітки).

