

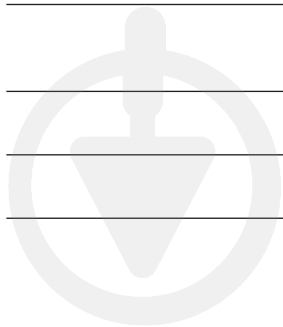
DEWALT®

XR®



WWW.DEWALT.COM

DCMPW1600



English (**original instructions**)

5

Русский (*перевод с оригинала инструкции*)

18

Українська (*переклад з оригінальної інструкції*)

37

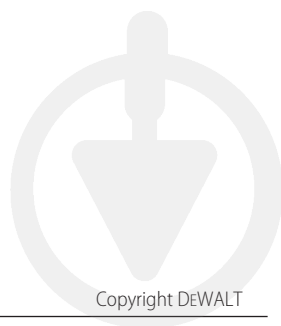


Fig. A

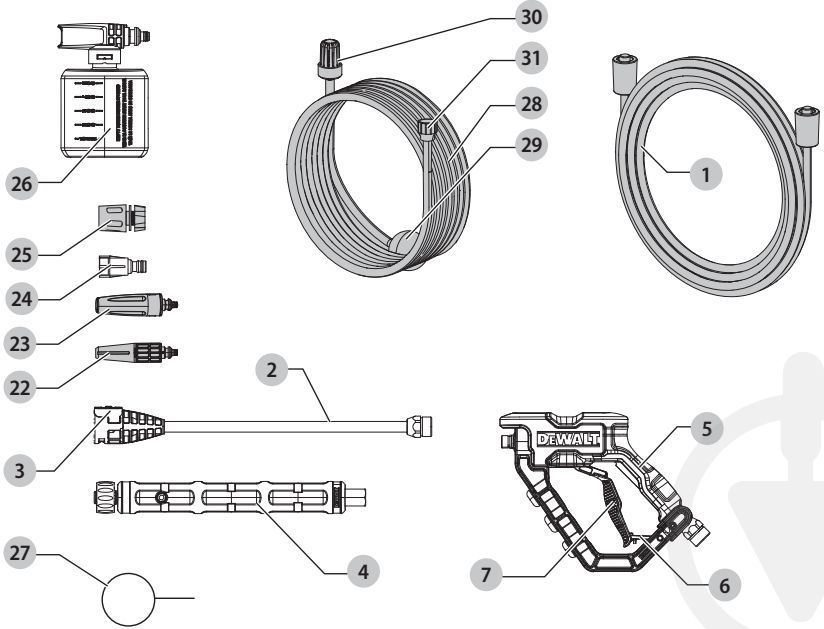
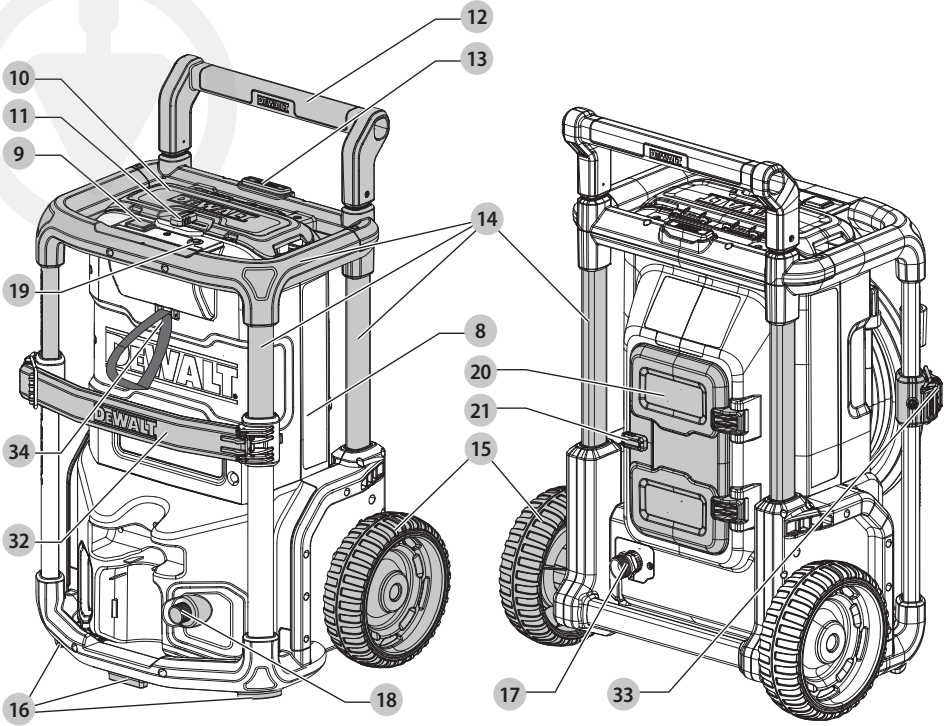


Fig. B

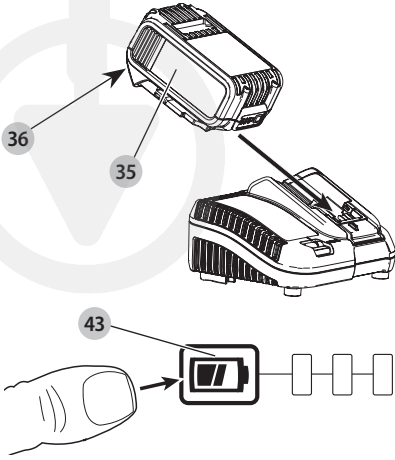


Fig. C

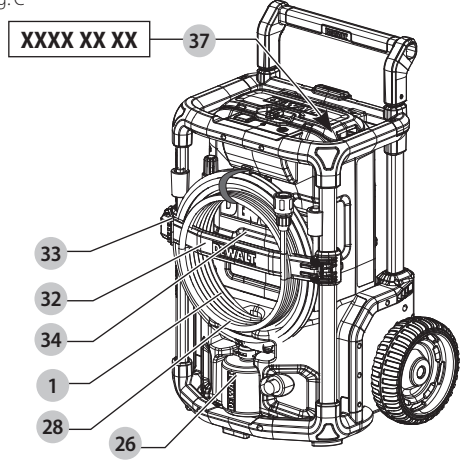


Fig. D

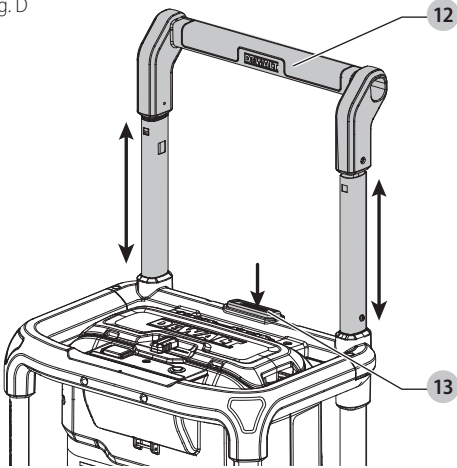


Fig. E

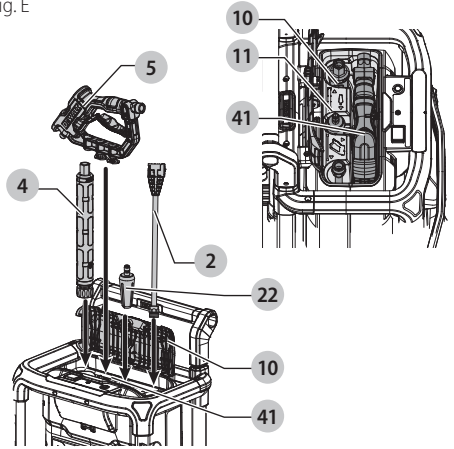


Fig. F

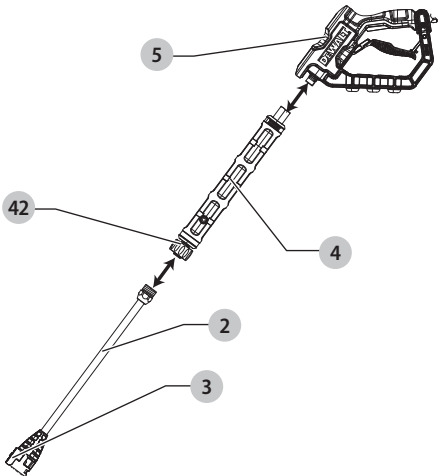


Fig. G

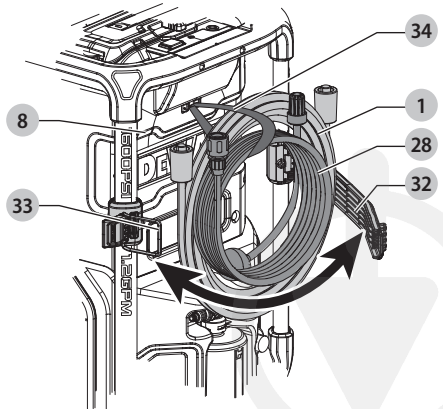


Fig. H

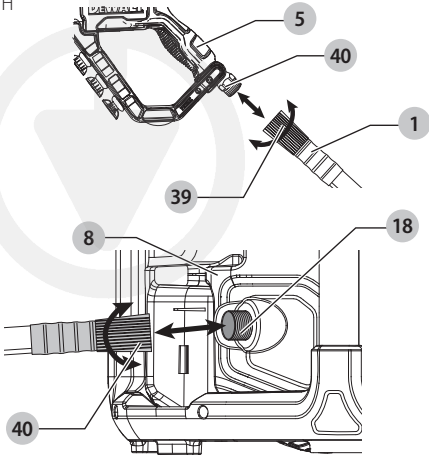


Fig. I

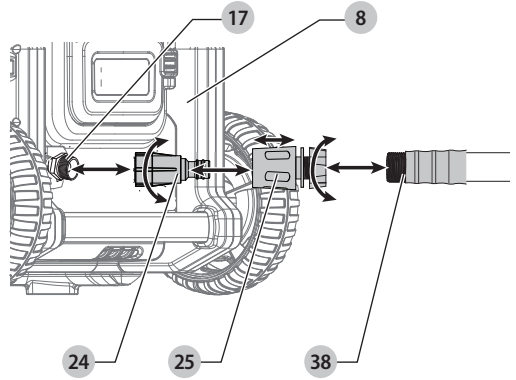


Fig. J

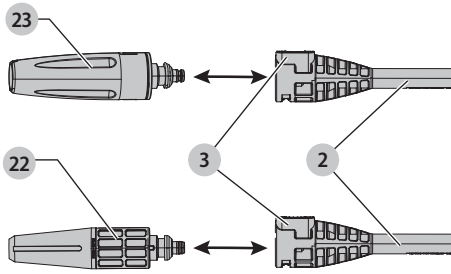


Fig. K

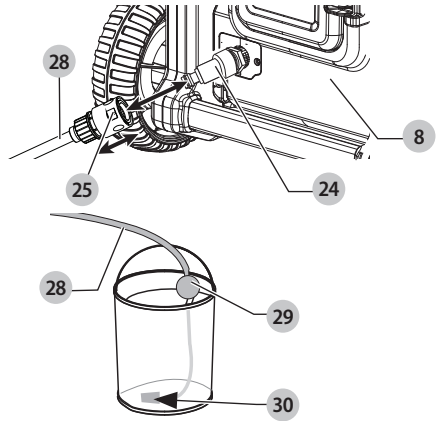


Fig. L

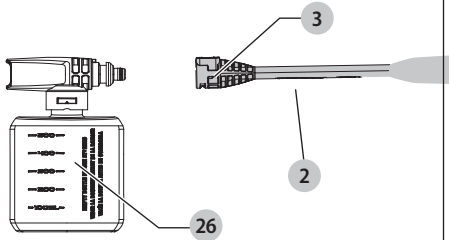


Fig. M

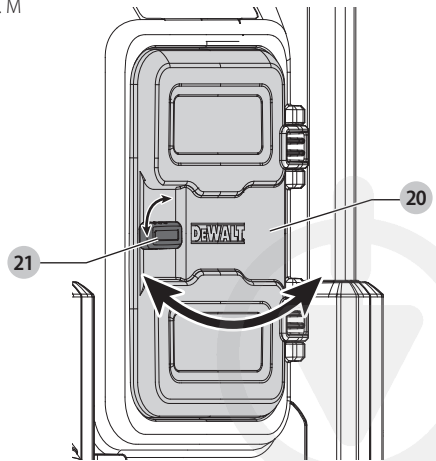


Fig. N

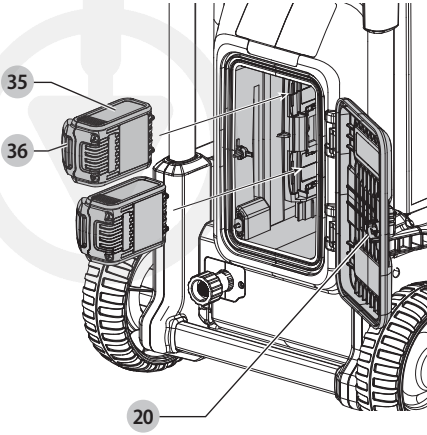


Fig. O

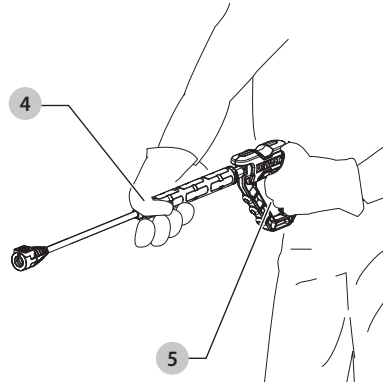


Fig. P

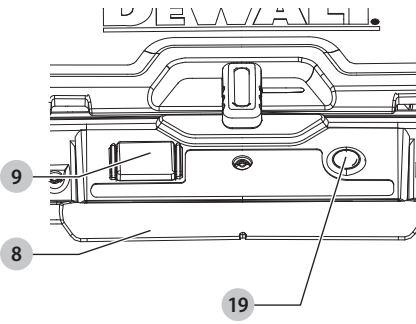


Fig. Q

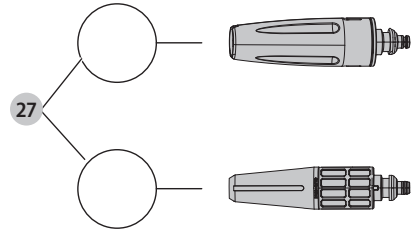


Fig. R

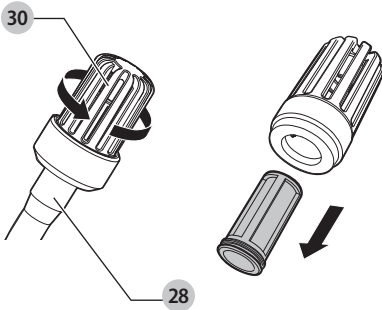
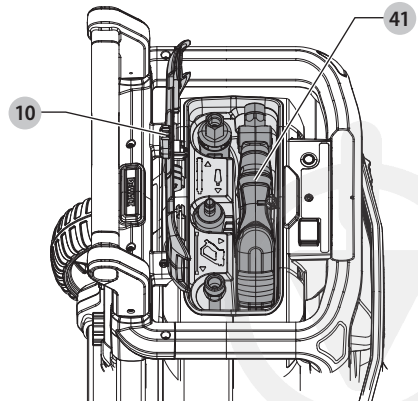


Fig. S



CORDLESS PRESSURE CLEANER

DCMPW1600

Congratulations!

You have chosen a DEWALT tool. Years of experience, thorough product development and innovation make DEWALT one of the most reliable partners for professional power tool users.

Technical Data

	DCMPW1600
Voltage Input	2x18 V _{DC}
Battery type	Li-Ion
Type	1
Rated Flow Rate	4.5 L/min
Max Water Flow Rate	5.5 L/min
Rated Pressure	110 Bar / 1600 PSI / 11 MPa
Maximum Pressure	165 Bar / 2390 PSI / 16.5 MPa
Maximum Inlet Temperature	50 °C
Maximum Input Pressure	1 Mpa (10 Bar)
Prepulsive Force of the Gun to the Maximum Pressure	21N
Motor Protection	IPX5
Inlet Water	Cold clear water
Weight	10,9 kg
Noise values and/or vibration values (triax vector sum) according to EN60335-2-79	

N&V test data:

Emission sound pressure level L_{pA} : 79.0 dB(A); K=3.0 dB(A)
 Measured sound power level: L_{WA} : 93.0 dB(A); K=4.3 dB(A)
 Vibration emission value ah: less than 2.5 m/s²; K=0.5 m/s²

The vibration and/or noise emission level given in this information sheet has been measured in accordance with a standardised test given in EN60335-2-79 and may be used to compare one tool with another. It may be used for a preliminary assessment of exposure.



WARNING: *The declared vibration and/or noise emission level represents the main applications of the tool. However, if the tool is used for different applications, with different accessories or is poorly maintained, the vibration and/or noise emission may differ. This may significantly increase the exposure level over the total working period.*

An estimation of the level of exposure to vibration and/or noise should also take into account the times when the tool is switched off or when it is running but not actually doing the job. This may significantly reduce the exposure level over the total working period.

Identify additional safety measures to protect the operator from the effects of vibration and/or noise such as: maintain the tool and the accessories, keep the hands warm (relevant for vibration), organisation of work patterns.

EC-Declaration of Conformity Machinery Directive



CORDLESS PRESSURE CLEANER DCMPW1600

DEWALT declares that these products described under **Technical Data** are in compliance with:

2006/42/EC, EN 60335-1:2012+A11:2014+A13:2017+A1:2019+A14:2019+A2:2019+A15:2021, EN60335-2-79:2012.

2000/14/EC, Annex V

L_{WA} (measured sound power level) 93 dB(A)

Uncertainty (K) = 4.3 dB(A)

L_{WA} (guaranteed sound power) 97 dB(A).

These products also comply with Directive 2014/30/EU and 2011/65/EU. For more information, please contact DEWALT at the following address or refer to the back of the manual.

The undersigned is responsible for compilation of the technical file and makes this declaration on behalf of DEWALT.

Markus Rompel
 Vice-President Engineering, PTE-Europe
 DEWALT, Richard-Klinger-Straße 11,
 65510, Idstein, Germany
 04.21.2023

DECLARATION OF CONFORMITY THE SUPPLY OF MACHINERY (SAFETY) REGULATIONS 2008



CORDLESS PRESSURE CLEANER DCMPW1600

DEWALT declares that these products described under **Technical Data** are in compliance with:

The Supply of Machinery (Safety) Regulations, 2008, S.I. 2008/1597 (as amended),

EN 60335-1:2012+A11:2014+A13:2017+A1:2019+A14:2019+A2:2019+A15:2021, EN60335-2-79:2012.

The Noise Emission in the Environment by Equipment for use Outdoors Regulations 2001, S.I. 2001/1701 (as amended). Schedule 8.

L_{WA} (measured sound power level) 93 dB(A)

Uncertainty (K) = 4.3 dB(A)

L_{WA} (guaranteed sound power) 97 dB(A).

These products conform to the following UK Regulations:

Batteries				Chargers/Charge Times (Minutes)***										
Cat #	V _{DC}	Ah	Weight (kg)	DCB104	DCB107	DCB112/ DCB1102	DCB113	DCB115/ DCB1104	DCB116	DCB117	DCB118	DCB132	DCB119	
DCB546	18/54	6.0/2.0	1.08	60	270	170	140	90	80	40	60	90	X	
DCB547/G	18/54	9.0/3.0	1.46	75*	420	270	220	135*	110*	60	75*	135*	X	
DCB548	18/54	12.0/4.0	1.46	120	540	350	300	180	150	80	120	180	X	
DCB549	18/54	15.0/5.0	2.12	125	730	450	380	230	170	90	125	230	X	
DCB181	18	1.5	0.35	22	70	45	35	22	22	22	22	22	45	
DCB182	18	4.0	0.61	60/40**	185	120	100	60	60/45**	60/40**	60/40**	60	120	
DCB183/B/G	18	2.0	0.40	30	90	60	50	30	30	30	30	30	60	
DCB184/B/G	18	5.0	0.62	75/50**	240	150	120	75	75/60**	75/50**	75/50**	75	150	
DCB185	18	1.3	0.35	22	60	40	30	22	22	22	22	22	40	
DCB187	18	3.0	0.54	45	140	90	70	45	45	45	45	45	90	
DCB189	18	4.0	0.54	60	185	120	100	60	60	60	60	60	120	
DCBP034/G	18	1.7	0.32	27	82	50	40	27	27	27	27	27	50	
DCBP518/G	18	5.0	0.75	50	240	150	120	75	60	50	50	75	150	

*Date code 201811475B or later

**Date code 201536 or later

***Battery charge times matrix provided for guidance only; charge times will vary depending on temperature and condition of batteries.

Electromagnetic Compatibility Regulations, 2016, S.I.2016/1091 (as amended).

The Restriction of the Use of Certain Hazardous Substances in Electrical and Electronic Equipment Regulations 2012, S.I. 2012/3032 (as amended).

For more information, please contact DEWALT at the following address or refer to the back of the manual.

The undersigned is responsible for compilation of the technical file and makes this declaration on behalf of DEWALT.



Paul Featherstone
Product Director – Outdoor Products Group
DEWALT UK, 270 Bath Road, Slough
Berkshire, SL1 4DX
England
04.21.2023



WARNING: To reduce the risk of injury, read the instruction manual.

Definitions: Safety Guidelines

The definitions below describe the level of severity for each signal word. Please read the manual and pay attention to these symbols.



DANGER: Indicates an imminently hazardous situation which, if not avoided, **will** result in **death or serious injury**.



WARNING: Indicates a potentially hazardous situation which, if not avoided, **could** result in **death or serious injury**.



CAUTION: Indicates a potentially hazardous situation which, if not avoided, **may** result in **minor or moderate injury**.

NOTICE: Indicates a practice **not related to personal injury** which, if not avoided, **may** result in **property damage**.



DENOTES RISK OF ELECTRIC SHOCK.
















DENOTES RISK OF FIRE.

IMPORTANT SAFETY INSTRUCTIONS



WARNING: When using this pressure washer, basic safety precautions should always be followed including the following:

- This machine is not intended for use by persons (including children) with reduced physical, sensory or mental capabilities, or lack of experience and knowledge.
- Children should be supervised to ensure that they do not play with the appliance.
- Read all the instructions before using the product.
- To reduce the risk of injury, close supervision is necessary when a product is used near children.
- Know how to stop the product and bleed pressures quickly. Be thoroughly familiar with the controls.
- Stay alert – watch what you are doing.
- Do not operate the product when fatigued or under the influence of alcohol or drugs.
- Keep operating area clear of all persons and animals.
- Do not overreach or stand on unstable support. Keep good footing and balance at all times.
- Follow the maintenance instructions specified in the manual.

-  **WARNING:** Risk of injection or injury – do not direct discharge stream at persons or animals.
-  **WARNING:** Read this entire manual before attempting to assemble, operate or install the product.
-  **WARNING:** This unit was designed for specific applications. It should not be modified and/or used for any application other than that which it was designed.
- NOTICE:** Always store your pressure washer in a location where the temperature will not fall below 4 °C (40 °F). freeze damage is not covered by the warranty.
-  **WARNING:** This machine has been designed for use with the cleaning agent supplied or recommended by the manufacturer. The use of other cleaning agents or chemicals may adversely affect the safety of the machine.
-  **WARNING:** During use of high pressure cleaners, aerosols may be formed. Inhalation of aerosols can be hazardous to health.
-  **WARNING:** High pressure jets can be dangerous if subject to misuse. The jet must not be directed at persons, live electrical equipment or the machine itself.
-  **WARNING:** Do not use the machine within range of persons unless they wear protective clothing.
-  **WARNING:** Do not direct the jet against yourself or others in order to clean clothes or foot-wear.
-  **WARNING:** Risk of explosion – Do not spray flammable liquids.
-  **WARNING:** High pressure cleaners shall not be used by children or untrained personnel.
-  **WARNING:** High pressure hoses, fittings and couplings are important for the safety of the machine. Use only hoses, fittings and couplings recommended by the manufacturer.
-  **WARNING:** To ensure machine safety, use only original spare parts from the manufacturer or approved by the manufacturer.
-  **WARNING:** Water that has flowed through backflow preventers is considered to be nonpotable.
-  **WARNING:** the machine shall be disconnected from its power source during cleaning or maintenance and when replacing parts.
-  **WARNING:** Do not use the machine if important parts of the machine are damaged, e.g. safety devices, high pressure hoses, trigger gun.
-  **WARNING:** Depending on the application, shielded nozzles can be used for high pressure cleaning, which will reduce the emission of hydrous aerosols dramatically. However, not all applications allow the use of such a device. If shielded nozzles are not applicable for the protection against aerosols, a respiratory mask of class FFP 2 or equivalent may be needed, depending on the cleaning environment.



According to the applicable regulations, the appliance must never be used on the drinking water network without a system separator. Use a separator as per IEC 61770. Water flowing through a system separator is considered not drinkable.

1. **Do not touch plug or outlet with wet hands.**
2. **Avoid accidental starts.** Move switch on unit to OFF position before connecting or disconnecting cord to electrical outlets.
3. Water spray must never be directed towards any electric wiring or directly towards the pressure washer machine itself or fatal electric shock may occur.
4. **The narrow pin point stream is very powerful.** It is not recommended for use on painted surfaces, wood surfaces or items attached with an adhesive backing.
5. **Keep operating area clear of all persons and animals.**
6. **Always use both hands when operating pressure washer to maintain complete control of the wand.**
7. **Do not touch nozzle or water spray while operating.** Never place hands in front of nozzle.
8. **Wear safety goggles while operating.** Wear protective clothing and footwear to protect against accidental spraying.
9. **Disconnect power plug from the outlet when not in use and prior to the detaching of the high pressure hose.**
10. **Never tie knots or kink the high pressure hose as damage could result. Inspect the high pressure hose regularly. Replace the hose immediately if it is damaged, worn or shows any signs of cracks, bubbles, pinholes, or other leakage.** Never grasp a high-pressure hose that is leaking or damaged.
11. **Do not operate or store this product in temperatures below 4 °C (40 °F).** Freeze damage is not covered by the warranty.
12. **Carefully observe all chemical instructions and warnings before using. Use only approved pressure washer cleaners. Do not use bleach, chlorine, or any cleaners containing acids. Always follow manufacturer's label recommendations for proper use of cleaners.** Always protect eyes, skin and respiratory system from cleaners.
13. **The pressure washer should not be used in areas where gas vapors may be present.** An electric spark could cause an explosion or fire.
14. **To minimize the amount of water getting into the pressure washer, the unit should be placed as far as possible from the cleaning site during operation.**
15. **To prevent accidental discharge, the spray gun should be secured by locking the trigger when not in use.**
16. **To allow free air circulation, the pressure washer should NOT be covered during operation.**
17. **Never touch, grasp or attempt to cover a pinhole or similar water leak on the high-pressure hose.** The stream of water IS under high pressure and WILL penetrate skin.
18. **Use only hoses and accessories rated for pressure higher than your pressure washer's PSI / Bar.** Never use with any other manufacturer's accessories or components.
19. **Never defeat the safety features of this product.**
20. **Do not operate machine with missing, broken or unauthorised parts.**
21. **Never spray flammable liquids or use pressure washer in areas containing combustible dust, liquid, or vapors.**

Safety of others

- This tool is not intended for use by persons (including children) with reduced physical, sensory or mental capabilities, or lack of experience and knowledge, unless they have been given supervision or instruction concerning use of the tool by a person responsible for their safety.
- Children should be supervised to ensure that they do not play with the appliance.

Vibration

The declared vibration emission values stated in the technical data and the declaration of conformity have been measured in accordance with a standard test method provided by EN60335-2-79 and may be used for comparing one tool with another. The declared vibration emission value may also be used in a preliminary assessment of exposure.



WARNING: The vibration emission value during actual use of the Pressure Washer can differ from the declared value depending on the ways in which the tool is used. The vibration level may increase above the level stated.

When assessing vibration exposure to determine safety measures required by 2002/44/EC to protect persons regularly using power tools in employment, an estimation of vibration exposure should consider, the actual conditions of use and the way the tool is used, including taking account of all parts of the operating cycle such as the times when the tool is switched off and when it is running idle in addition to the trigger time.

Residual Risks

In spite of the application of the relevant safety regulations and the implementation of safety devices, certain residual risks cannot be avoided. These are:

- Impairment of hearing.
- Risk of personal injury due to flying particles.
- Risk of burns due to accessories becoming hot during operation.
- Risk of personal injury due to prolonged use.

SAVE THESE INSTRUCTIONS

Chargers

DEWALT chargers require no adjustment and are designed to be as easy as possible to operate.

Electrical Safety

The electric motor has been designed for one voltage only. Always check that the battery pack voltage corresponds to the voltage on the rating plate. Also make sure that the voltage of your charger corresponds to that of your mains.



Your DEWALT charger is double insulated in accordance with EN60335; therefore, no earth wire is required.

If the supply cord is damaged, it must be replaced only by DEWALT or an authorised service organisation.

Mains Plug Replacement (U.K. & Ireland Only)

If a new mains plug needs to be fitted:

- Safely dispose of the old plug.
- Connect the brown lead to the live terminal in the plug.
- Connect the blue lead to the neutral terminal.



WARNING: No connection is to be made to the earth terminal.

Follow the fitting instructions supplied with good quality plugs. Recommended fuse: 3 A.

Using an Extension Cable

An extension cord should not be used unless absolutely necessary. Use an approved extension cable suitable for the power input of your charger (refer to **Technical Data**). The minimum conductor size is 1 mm²; the maximum length is 30 m. When using a cable reel, always unwind the cable completely.

Important Safety Instructions for All Battery Chargers

SAVE THESE INSTRUCTIONS: This manual contains important safety and operating instructions for compatible battery chargers (refer to **Technical Data**). Before using charger, read all instructions and cautionary markings on charger, battery pack, and product using battery pack.



WARNING: Shock hazard. Do not allow any liquid to get inside charger. Electric shock may result.



WARNING: We recommend the use of a residual current device with a residual current rating of 30 mA or less.



CAUTION: Burn hazard. To reduce the risk of injury, charge only DEWALT rechargeable batteries. Other types of batteries may burst, causing personal injury and damage.



CAUTION: Children should be supervised to ensure that they do not play with the appliance.

NOTICE: Under certain conditions, with the charger plugged into the power supply, the exposed charging contacts inside the charger can be shorted by foreign material. Foreign materials of a conductive nature such as, but not limited to, steel wool, aluminum foil or any buildup of metallic particles should be kept away from charger cavities. Always unplug the charger from the power supply when there is no battery pack in the cavity. Unplug charger before attempting to clean.

- **DO NOT attempt to charge the battery pack with any chargers other than the ones in this manual.** The charger and battery pack are specifically designed to work together.
- **These chargers are not intended for any uses other than charging DEWALT rechargeable batteries.** Any other uses may result in risk of fire, electric shock or electrocution.
- **Do not expose charger to rain or snow.**
- **Pull by plug rather than cord when disconnecting charger.** This will reduce risk of damage to electric plug and cord.
- **Make sure that cord is located so that it will not be stepped on, tripped over, or otherwise subjected to damage or stress.**

- **Do not use an extension cord unless it is absolutely necessary.** Use of improper extension cord could result in risk of fire, electric shock, or electrocution.
- **Do not place any object on top of charger or place the charger on a soft surface that might block the ventilation slots and result in excessive internal heat.** Place the charger in a position away from any heat source. The charger is ventilated through slots in the top and the bottom of the housing.
- **Do not operate charger with damaged cord or plug—** have them replaced immediately.
- **Do not operate charger if it has received a sharp blow, been dropped, or otherwise damaged in any way.** Take it to an authorised service centre.
- **Do not disassemble charger; take it to an authorised service centre when service or repair is required.** Incorrect reassembly may result in a risk of electric shock, electrocution or fire.
- In case of damaged power supply cord, the supply cord must be replaced immediately by the manufacturer, its service agent or similar qualified person to prevent any hazard.
- **Disconnect the charger from the outlet before attempting any cleaning. This will reduce the risk of electric shock.** Removing the battery pack will not reduce this risk.
- **NEVER** attempt to connect two chargers together.
- **The charger is designed to operate on standard 230V household electrical power. Do not attempt to use it on any other voltage.** This does not apply to the vehicular charger.







Charging a Battery (Fig. B)

1. Plug the charger into an appropriate outlet before inserting battery pack.
2. Insert the battery pack **35** into the charger, making sure the battery pack is fully seated in the charger. The red (charging) light will blink repeatedly, indicating that the charging process has started.
3. The completion of charge will be indicated by the red light remaining ON continuously. The battery pack is fully charged and may be used at this time or left in the charger. To remove the battery pack from the charger, push the battery release button **36** on the battery pack.

NOTE: To ensure maximum performance and life of lithium-ion battery packs, charge the battery pack fully before first use.

Charger Operation

Refer to the indicators below for the charge status of the battery pack.

Charge Indicators	
 Charging	--- --- --- --- 
 Fully Charged	————— 
 Hot/Cold Pack Delay*	--- ——— 

*The red light will continue to blink, but a yellow indicator light will be illuminated during this operation. Once the battery pack

has reached an appropriate temperature, the yellow light will turn off and the charger will resume the charging procedure. The compatible charger(s) will not charge a faulty battery pack. The charger will indicate faulty battery by refusing to light.

NOTE: This could also mean a problem with a charger.

If the charger indicates a problem, take the charger and battery pack to be tested at an authorised service centre.

Hot/Cold Pack Delay

When the charger detects a battery pack that is too hot or too cold, it automatically starts a Hot/Cold Pack Delay, suspending charging until the battery pack has reached an appropriate temperature. The charger then automatically switches to the pack charging mode. This feature ensures maximum battery pack life.

A cold battery pack will charge at a slower rate than a warm battery pack. The battery pack will charge at that slower rate throughout the entire charging cycle and will not return to maximum charge rate even if the battery pack warms.

The DCB118 charger is equipped with an internal fan designed to cool the battery pack. The fan will turn on automatically when the battery pack needs to be cooled. Never operate the charger if the fan does not operate properly or if ventilation slots are blocked. Do not permit foreign objects to enter the interior of the charger.

Electronic Protection System

XR Li-Ion tools are designed with an Electronic Protection System that will protect the battery pack against overloading, overheating or deep discharge.

The tool will automatically turn off if the Electronic Protection System engages. If this occurs, place the lithium-ion battery pack in the charger until it is fully charged.

Wall Mounting

These chargers are designed to be wall mountable or to sit upright on a table or work surface. If wall mounting, locate the charger within reach of an electrical outlet, and away from a corner or other obstructions which may impede air flow. Use the back of the charger as a template for the location of the mounting screws on the wall. Mount the charger securely using drywall screws (purchased separately) at least 25.4 mm long with a screw head diameter of 7–9 mm, screwed into wood to an optimal depth leaving approximately 5.5 mm of the screw exposed. Align the slots on the back of the charger with the exposed screws and fully engage them in the slots.

Charger Cleaning Instructions



WARNING: Shock hazard. Disconnect the charger from the AC outlet before cleaning. Dirt and grease may be removed from the exterior of the charger using a cloth or soft non-metallic brush. Do not use water or any cleaning solutions. Never let any liquid get inside the tool; never immerse any part of the tool into a liquid.

Battery Packs

Important Safety Instructions for All Battery Packs

When ordering replacement battery packs, be sure to include catalogue number and voltage.

The battery pack is not fully charged out of the carton. Before using the battery pack and charger, read the safety instructions below. Then follow charging procedures outlined.

READ ALL INSTRUCTIONS

- **Do not charge or use battery in explosive atmospheres, such as in the presence of flammable liquids, gases or dust.** Inserting or removing the battery from the charger may ignite the dust or fumes.
- **Never force battery pack into charger. Do not modify battery pack in any way to fit into a non-compatible charger as battery pack may rupture, causing serious personal injury.**
- Charge the battery packs only in DEWALT chargers.
- **DO NOT splash or immerse in water or other liquids.**
- **Do not store or use the tool and battery pack in locations where the temperature may fall below 4 °C (39.2 °F) (such as outside sheds or metal buildings in winter), or reach or exceed 40 °C (104 °F) (such as outside sheds or metal buildings in summer).**
- **Do not incinerate the battery pack even if it is severely damaged or is completely worn out.** The battery pack can explode in a fire. Toxic fumes and materials are created when lithium-ion battery packs are burned.
- **If battery contents come into contact with the skin, immediately wash area with mild soap and water.** If battery liquid gets into the eye, rinse water over the open eye for 15 minutes or until irritation ceases. If medical attention is needed, the battery electrolyte is composed of a mixture of liquid organic carbonates and lithium salts.
- **Contents of opened battery cells may cause respiratory irritation.** Provide fresh air. If symptoms persist, seek medical attention.



WARNING: Burn hazard. Battery liquid may be flammable if exposed to spark or flame.



WARNING: Never attempt to open the battery pack for any reason. If battery pack case is cracked or damaged, do not insert into charger. Do not crush, drop or damage battery pack. Do not use a battery pack or charger that has received a sharp blow, been dropped, run over or damaged in any way (i.e., pierced with a nail, hit with a hammer, stepped on). Electric shock or electrocution may result. Damaged battery packs should be returned to service centre for recycling.



WARNING: Fire hazard. Do not store or carry the battery pack so that metal objects can contact exposed battery terminals. For example, do not place the battery pack in aprons, pockets, tool boxes, product kit boxes, drawers, etc., with loose nails, screws, keys, etc.



CAUTION: When not in use, place tool on its side on a stable surface where it will not cause a tripping or falling hazard. Some tools with large battery packs will stand upright on the battery pack but may be easily knocked over.

Transportation



WARNING: Fire hazard. Transporting batteries can possibly cause fire if the battery terminals inadvertently come into contact with conductive materials. When transporting batteries, make sure that the battery terminals are protected and well-insulated from materials that could contact them and cause a short circuit. **NOTE:** Lithium-ion batteries should not be put in checked baggage.

DEWALT batteries comply with all applicable shipping regulations as prescribed by industry and legal standards, which include UN Recommendations on the Transport of Dangerous Goods; International Air Transport Association (IATA) Dangerous Goods Regulations; International Maritime Dangerous Goods (IMDG) Regulations; and the European Agreement Concerning The International Carriage of Dangerous Goods by Road (ADR). Lithium-ion cells and batteries have been tested to section 38.3 of the UN Recommendations on the Transport of Dangerous Goods Manual of Tests and Criteria.

In most instances, shipping a DEWALT battery pack will be excepted from being classified as a fully regulated Class 9 Hazardous Material. In general, only shipments containing a lithium-ion battery with an energy rating greater than 100 Watt Hours (Wh) will require being shipped as fully regulated Class 9. All lithium-ion batteries have the Wh rating marked on the pack. Furthermore, due to regulation complexities, DEWALT does not recommend air shipping lithium-ion battery packs alone regardless of Wh rating. Shipments of tools with batteries (combo kits) can be air shipped as excepted if the Wh rating of the battery pack is no greater than 100 Wh.

Regardless of whether a shipment is considered excepted or fully regulated, it is the shipper's responsibility to consult the latest regulations for packaging, labeling/marketing and documentation requirements.

The information provided in this section of the manual is provided in good faith and believed to be accurate at the time the document was created. However, no warranty, expressed or implied, is given. It is the buyer's responsibility to ensure that its activities comply with the applicable regulations.

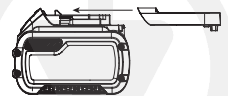
Transporting the FLEXVOLT™ Battery

The DEWALT FLEXVOLT® battery has two modes: **Use** and **Transport**.

Use Mode: When the FLEXVOLT™ battery stands alone or is in a DEWALT 18V product, it will operate as an 18V battery. When the FLEXVOLT™ battery is in a 54V or a 108V (two 54V batteries) product, it will operate as a 54V battery.

Transport Mode: When the cap is attached to the FLEXVOLT™ battery, the battery is in Transport mode. Keep the cap for shipping.

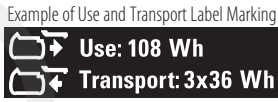
When in Transport mode, strings of cells are electrically disconnected within the pack, resulting in 3 batteries with a lower Watt hour (Wh) rating as compared to 1 battery with a higher Watt hour rating. This increased quantity of 3 batteries with the lower Watt hour rating can exempt the pack from



certain shipping regulations that are imposed upon the higher Watt hour batteries.

For example, the Transport Wh rating might indicate 3 x 36 Wh, meaning 3 batteries of 36 Wh each.

The Use Wh rating might indicate 108 Wh (1 battery implied).



Do not incinerate the battery pack.



USE (without transport cap). Example: Wh rating indicates 108 Wh (1 battery with 108 Wh).



TRANSPORT (with built-in transport cap). Example: Wh rating indicates 3 x 36 Wh (3 batteries of 36 Wh).

Storage Recommendations

1. The best storage place is one that is cool and dry away from direct sunlight and excessive heat or cold. For optimum battery performance and life, store battery packs at room temperature when not in use.
2. For long storage, it is recommended to store a fully charged battery pack in a cool, dry place out of the charger for optimal results.

NOTE: Battery packs should not be stored completely depleted of charge. The battery pack will need to be recharged before use.

Labels on Charger and Battery Pack

In addition to the pictographs used in this manual, the labels on the charger and the battery pack may show the following pictographs:



Read instruction manual before use.



Refer to **Technical Data** for charging time.



Do not probe with conductive objects.



Do not charge damaged battery packs.



Do not expose to water.



Have defective cords replaced immediately.



Charge only between 4 °C and 40 °C.



Only for indoor use.



Discard the battery pack with due care for the environment.

LI-ION



Charge DeWALT battery packs only with designated DeWALT chargers. Charging battery packs other than the designated DeWALT batteries with a DeWALT charger may make them burst or lead to other dangerous situations.

Battery Type

This DCMPW1600 is designed to operate on two 18-volt battery packs of equal capacity. The DCMPW1600 will not operate on a single battery pack, and if using different capacity 18-volt battery packs, the lower capacity battery pack, when depleted, will cause the unit to turn off. For optimum performance and runtime, we recommend using DCB547 9.0 AH battery packs. **NOTE:** For best results, make sure both of your battery packs are fully charged.

These battery packs may be used: DCB181, DCB182, DCB183, DCB183B, DCB183G, DCB184, DCB184B, DCB184G, DCB185, DCB187, DCB189, DCBP034, DCBP034G, DCBP518, DCBP518G, DCB546, DCB547, DCB547G, DCB548, DCB549. Refer to

Technical Data for more information.

Package Contents

The package contains:

- 1 Pressure washer unit
- 1 Spray handle
- 1 Spray wand
- 1 High pressure hose
- 1 Self priming suction hose
- 1 High pressure foam cannon
- 1 Water inlet filter
- 1 Adjustable spray nozzle
- 1 Turbo nozzle
- 1 Nozzle cleaning tool
- 1 Universal hose connector
- 1 Li-Ion battery pack (C1, D1, E1, G1, H1, L1, M1, P1, Q1, S1, T1, U1, X1, Y1, Z1 models)
- 2 Li-Ion battery packs (C2, D2, E2, G2, H2, L2, M2, P2, Q2, S2, T2, U2, X2, Y2, Z2 models)
- 3 Li-Ion battery packs (C3, D3, E3, G3, H3, L3, M3, P3, Q3, S3, T3, U3, X3, Y3, Z3 models)
- 1 Instruction manual

NOTE: Battery packs, chargers and kitboxes are not included with N models. Battery packs and chargers are not included with NT models. B models include Bluetooth® battery packs.

NOTE: The Bluetooth® word mark and logos are registered trademarks owned by the Bluetooth®, SIG, Inc. and any use of such marks by DeWALT is under license. Other trademarks and trade names are those of their respective owners.

- Check for damage to the tool, parts or accessories which may have occurred during transport.
- Take the time to thoroughly read and understand this manual prior to operation.

Markings on Tool

The following pictograms are shown on the tool:



Warning! To reduce the risk of injury, the user must read the instruction manual.



Wear eye protection.



Wear ear protection.



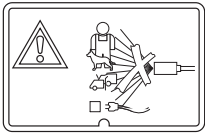
Machine not suitable for connection to the potable water mains.



Directive 2000/14/EC guaranteed sound power.
DCMPW1600



Always remove the battery from the appliance before performing any cleaning or maintenance.



Never direct the water jet at people, animals, the machine or electric components

Date Code Position (Fig. C)

The production date code **37** consists of a 4-digit year followed by a 2-digit week and is extended by a 2-digit factory code.

Description (Fig. A)



WARNING: Never modify the power tool or any part of it.
Damage or personal injury could result.

- 1 High pressure hose
- 2 Spray wand
- 3 Nozzle button
- 4 Spray handle
- 5 Handle grip
- 6 Trigger lock-off
- 7 Trigger
- 8 Pressure washer unit
- 9 Speed selector switch
- 10 Storage door
- 11 Door latch
- 12 Telescoping handle
- 13 Handle release button
- 14 Cage
- 15 Transport wheels

- 16 Feet
- 17 Garden hose water intake
- 18 High pressure water outlet
- 19 Boost button
- 20 Battery port door
- 21 Battery door latch
- 22 Turbo nozzle
- 23 Adjustable spray nozzle
- 24 Water inlet filter
- 25 Quick connect hose adapter
- 26 High pressure foam cannon
- 27 Nozzle cleaning tool
- 28 Self priming suction hose
- 29 Float ball
- 30 Suction hose filter
- 31 Suction hose collar
- 32 Hose storage brace
- 33 Hose storage latch
- 34 Hose storage strap

Intended Use

This pressure washer is intended for cleaning boats, cars, decks, driveways, grills, house siding, motorcycles, patios, and outdoor furniture.

DO NOT use under wet conditions or in the presence of flammable liquids or gases.

DO NOT let children come into contact with the tool. Supervision is required when inexperienced operators use this tool.

- **Young children and the infirm.** This appliance is not intended for use by young children or infirm persons without supervision.
- This product is not intended for use by persons (including children) suffering from diminished physical, sensory or mental abilities; lack of experience, knowledge or skills unless they are supervised by a person responsible for their safety. Children should never be left alone with this product.

ASSEMBLY AND ADJUSTMENTS



WARNING: To reduce the risk of serious personal injury, turn tool off and disconnect battery pack before making any adjustments or removing/installing attachments or accessories. An accidental start-up can cause injury.



WARNING: Use only DEWALT batteries and chargers.

Cage Carrying Handles (Fig. A)

This pressure washer has a protective cage that protects the pressure washer from daily jobsite wear and tear but also provides multiple carry handle **14** options. Carry the pressure washer using whichever part of the cage that is convenient for your application. **DO NOT** attempt to carry the pressure washer by the hose storage brace **32** or telescoping handle **12**.

Telescoping Handle (Fig. A, D)

This pressure washer has a convenient, built in telescoping handle and transport wheels.

- To unlock the telescoping handle **12**, press the handle release button **13** and slide the handle upwards. You will hear an audible click when it snaps into position.
- To store the telescoping handle **12**, press the handle release button **13** and slide the telescoping handle down and into the pressure washer body. You will hear an audible click when it snaps into position.
- To move the pressure washer **8**, tilt the unit so the transport wheels **15** are touching the ground and pull the unit by the telescoping handle.

Accessory Storage Compartment (Fig. A, E)

This pressure washer has a built in accessory storage compartment **41** to carry the spray wand, spray handle, handle grip and nozzles.

- To unlock the storage door **10**, rotate the door latch **11** counterclockwise and flip the door open to access the spray wand **2**, spray handle **4**, handle grip **5**, turbo nozzle **22** and adjustable spray nozzle **23**.
- To lock the storage door **10**, place the storage door in the closed position. Rotate the door latch **11** clockwise to lock the storage door into position.

Assembling Spray Wand (Fig. F)

- To connect the spray handle **4** to the handle grip **5**, insert the threaded end of the spray handle onto the threaded end of the handle grip. Rotate the spray handle **4** clockwise until fully tightened.
- To connect the spray wand **2** to the spray handle **4**, insert the threaded end of the spray wand into the threaded collar **42** of the spray handle. Rotate the threaded collar **42** clockwise until fully tightened.

High Pressure and Suction Hose Storage (Fig. G)

This pressure washer has a built in storage area to carry the high pressure hose. The coiled hose is secured between the hose storage brace **32** and the pressure washer unit **8**.

- To access the high pressure hose **1** or the suction hose **28**, unlock the hose storage latch **33** and swing the hose storage brace **32** away from the pressure washer unit **8**.
- Unwrap the hose storage strap **34** and remove the hose from the pressure washer unit **8**.
- Swing the hose storage brace **32** closed and lock the hose storage latch **33** securing the hose storage brace **32** to the pressure washer unit **8**.

Attaching High Pressure Hose (Fig. H)

 **CAUTION: NEVER PULL WATER SUPPLY HOSE TO MOVE pressure washer. This could damage hose and/or pump inlet.**

NOTE: Uncoil the high pressure hose **1** before installation to prevent kinks.

NOTE: Avoid cross threading when installing the hose. Cross threading will cause leaks.

- To connect the high pressure hose **1** to the handle grip **5**, thread the hose collar **39** onto the inlet coupler **40**.
- To connect the high pressure hose to the pressure washer unit **8**, thread the hose collar **40** onto the high pressure water outlet **18**.


Attaching Garden Hose (Fig. I)


NOTE: Before connecting the garden hose to the pressure washer unit, run water through the garden hose for thirty seconds to clear any debris from inside the garden hose.

- To connect the garden hose **38** to the pressure washer **8**, first screw the water inlet filter **24** onto the water intake **17**.
- Unscrew the base of the quick connect hose adapter **25** and slide the base over the hose. Push the hose into the quick connect hose adapter until it stops. Screw the base onto the quick connect hose adapter **25** to clamp the hose into the quick connect hose adapter **25**.
- Push the quick connect hose adapter **25** into the water inlet filter **24** until it "clicks".

NOTE: Always disconnect the garden hose after usage.

Attaching Nozzles (Fig. J)

 **DANGER:** Risk of fluid injection. Do not direct discharge stream toward persons, unprotected skin, eyes or any pets or animals. Serious injury will occur.

 **WARNING:** Flying objects could cause risk of serious injury. DO NOT attempt to change nozzles while pressure washer is running. Turn pressure washer unit OFF before changing nozzles.

- To connect a nozzle to the spray wand **2** depress the nozzle button **3** on the spray wand and insert the appropriate nozzle.
- Release the nozzle button **3** to lock the nozzle in place.
- Give the nozzle a firm tug to ensure the nozzle is locked into place.

Nozzle Types	Suitable Applications
Adjustable Nozzle	For gentle wide angle cleaning
Turbo Nozzle	For abrasive cleaning

NOTE: The turbo nozzle **22** is suitable for cleaning concrete and masonry. It is not recommended to use this nozzle for vehicle cleaning as it can cause damage to the surface.

Adjusting Spray Pattern of the Adjustable Nozzle (Fig. J)

The angle of spray coming out of the nozzle may be adjusted by rotating the nozzle. This will vary the spray pattern from approximately a 0° narrow high impact stream to a 60° wide fan spray.

- A narrow pencil jet stream distributes the impact of the water in a concentrated area, resulting in a high impact force on the cleaning surface. Use a narrow pencil jet stream for deep cleaning in a concentrated area. However, use it cautiously, as it may damage some surfaces.

- A wide fan pattern distributes the impact of the water over a larger area, resulting in excellent cleaning action with a reduced risk of surface damage. Large surface areas can be cleaned more quickly using a wide fan pattern.

To Attach the Self Priming Suction Hose (Fig. A, K)

Use the self priming suction hose to pull water from a bucket or other fresh water source.

NOTICE: Do not use to suction soap, chemicals, dirty or corrosive liquids, such as window cleaner, plant food, fertilizers or bleach. Do not use with salt water.

NOTE: Avoid cross threading when installing the self priming suction hose **28**. Cross threading will cause leaks.

1. To connect the self priming suction hose **28** to the pressure washer unit **8**, thread the suction hose collar **31** onto the water intake **17**.
2. Securely tighten the suction hose collar **31** by hand.
NOTE: Always disconnect the suction hose after usage.
3. Place other end of suction hose, with the filter **30** on it, into a container of fresh water or a fresh water source.
4. Adjust the float ball **29** on the suction hose so the filter **30** stays covered in the liquid.
5. Select the correct nozzle to be used. **Attaching Nozzles**
6. After the job being performed is complete, place the suction hose into a container of clean water and draw the clean water through the system to rinse.

NOTE: When using the self priming suction hose, it may take a few minutes for the pressure washer to self prime. Ensure the pressure washer is turned on and the trigger on the spray wand it being pulled until primed.

Attaching High Pressure Foam Cannon (Fig. L)

1. To connect the high pressure foam cannon **26** to the spray wand **2**, press the nozzle button **3** and insert the soap bottle.
2. Release the nozzle button **3** to lock the high pressure foam cannon **26** in place.
3. Give the high pressure foam cannon **26** a firm tug after to ensure it is locked into place.

NOTE: The soap bottle should be positioned underneath the spray wand. Do not position the high pressure foam cannon above the spray wand as this will lead to soap dripping on the spray wand. The spray tip on the high pressure foam cannon **26** rotates for vertical or horizontal application.

OPERATION

Instructions for Use



WARNING: Always observe the safety instructions and applicable regulations.



WARNING: To reduce the risk of serious personal injury, turn tool off and disconnect battery pack before making any adjustments or removing/installing attachments or accessories. An accidental start-up can cause injury.

Installing and Removing the Battery Packs (Fig. M, N)

This pressure washer is designed to operate on two battery packs of equal capacity. The pressure washer will not operate on a single battery pack, and if using different capacity battery packs, the smaller capacity battery pack, when depleted, will cause the unit to turn off.

NOTE: For best results, make sure your battery packs are both fully charged.

To Install the Battery Packs



WARNING: Ensure speed selector switch is in the OFF, centered position, before installing battery packs.



CAUTION: Unit stops running when the battery port door is open. If the speed selector switch is in the HI or LO position the unit will power ON when the battery port door closes.



CAUTION: Do not hold the trigger when closing the battery port door.

1. Unlock the battery port door **20**, rotate the battery port door latch **21** counterclockwise and swing the battery port door open to access the battery port.
2. Align the battery packs **35** with the rails inside the battery port and slide them in until the battery packs are firmly seated in the tool and ensure that they will not disengage.
3. Lock the battery port door **20**, close the battery port door **20** so it seals to the pressure washer unit **8**.
4. Rotate the battery port door latch **21** clockwise to lock the battery port door. Ensure the battery port door is fully latched into position before starting tool.
NOTE: The unit will not operate if the battery port door is not fully closed and latched.

To Remove the Battery Packs

1. Rotate the battery port door latch **21** counterclockwise and pull the battery port door open to access the battery packs **35**.
2. Press the battery release buttons **36** on the battery packs **35** and firmly pull the battery packs out of tool.
3. Insert the batteries into a charger as described in the charger section of this manual.
4. Close the battery port door **20** so it seals to the pressure washer unit **8** and lock it. Ensure the battery port door is fully latched into position.

Fuel Gauge Battery Packs (Fig. B)

Some DeWALT battery packs include a fuel gauge, which consists of three green LED lights that indicate the level of charge remaining in the battery pack.

To actuate the fuel gauge, press and hold the fuel gauge button **43**. A combination of the three green LED lights will illuminate, designating the level of charge left. When the level of charge in the battery is below the usable limit, the fuel gauge will not illuminate and the battery will need to be recharged.

NOTE: The fuel gauge is only an indication of the charge left on the battery pack. It does not indicate tool functionality and is subject to variation based on product components, temperature and end-user application.

Proper Hand Position (Fig. O)

 **WARNING:** To reduce the risk of serious personal injury, **ALWAYS** use proper hand position as shown.

 **WARNING:** To reduce the risk of serious personal injury, **ALWAYS** hold securely in anticipation of a sudden reaction.

Proper hand position requires one hand on the spray handle grip **5** and the other hand on the spray handle **4**.

Correct Pressure Washer Unit Position (Fig. A)

 **CAUTION:** Before operation:

Always keep the unit right-side up with its feet **16** and wheels **15** on the ground as shown in Fig. A.

NOTE: Never attempt to use the pressure washer while standing vertically, on its side, or flipped over on the ground.

Speed Selector Switch (Fig. A, P)

This pressure washer gives you the choice to operate at a high pressure or lower pressure for more delicate jobs, and can also boost pressure for high-performance cleaning.

The speed selector switch **9** toggles to three positions;

- Off, centered.
- HI, right side.
- LO, left side.

To turn the pressure washer ON, toggle the speed selector switch **9** to the right or left positions.

To turn the pressure washer OFF, toggle the speed selector switch **9** to the center position.

For higher pressure washing, press the speed selector switch **9** to the right to the "HI" position. This mode is best for applications that need higher pressure/Bar.

For lower pressure washing, press the speed selector switch **9** to the left to the "LO" position. This mode is best for projects that require a more delicate cleaning. This mode also generally offers more runtime.

NOTE: When in "HI" mode, runtime will be decreased as compared to when pressure washer is in "LO" mode.


To activate Boost mode, press the boost button **19**, the green LED will illuminate when activated. This mode is best for applications that require maximum available Bar.

NOTE: Boost mode will only function for up to ten minutes. You can press the boost button **19** again to exit boost mode before ten minutes and you will go back to the mode the speed selector switch **9** is set to. When you near the end of ten minutes the green LED will start to flash, and the unit will return to the mode the speed selector switch **9** is set to after boost mode times out.

NOTE: After boost mode is used for a full ten minutes, the unit can return to boost mode by re-pressing the boost button **19**.

NOTE: Overall runtime will be shortened by using boost mode.

Pressure Washing (Fig. A–P)


 **WARNING:** To reduce the risk of serious personal injury, turn unit off and remove the battery pack

before making any adjustments or removing/installing attachments or accessories. An accidental start-up can cause injury.

Preparing Surface for Cleaning

- Remove objects from the area which could create a hazard such as children's toys or outdoor furniture.
- Insure that all doors and windows are closed tight. Protect all plants and trees in the adjacent area with a drop cloth ensuring that they will not be harmed by any overspray.
- Pre-rinse cleaning area with fresh water.
- Use only detergents formulated for pressure washers.
- Always test detergent in an inconspicuous area before use.

Preparing Pressure Washer Unit for Use

 **DANGER:** Risk of fluid injection and laceration. When using the high-pressure setting, **DO NOT** allow the high-pressure spray to come in contact with unprotected skin, eyes, or with any pets or animals. Serious injury will occur.

 **CAUTION:** Before operation:

1. Connect the high pressure hose to the pressure washer and the pressure wand. For instructions on connecting the high pressure hose to the pressure washer and pressure wand, please refer to **Attaching High Pressure Hose** under **Assembly and Adjustments**.
2. Connect the water supply to the pressure washer. For instructions on connecting the water supply to the pressure washer, please refer to **Attaching Garden Hose** under **Assembly and Adjustments**.
3. Install the two battery packs **35**. Close and lock the battery port door **20**. Ensure the door is fully latched into position, please refer to **To Install the Battery Packs** under **Installing and Removing the Battery Packs**.

Preparing Spray Wand (Fig. A, F)

IMPORTANT: Before turning on the pressure washer unit, disengage the trigger lock-off **6** and squeeze the trigger **7**.

1. Spray wand must be assembled before use. Please refer to **Assembling Spray Wand** under **Assembly and Adjustments**.
2. Disengage the trigger lock-off **6**.
3. Turn on the water supply.
4. Squeeze the trigger **7**. Hold the trigger for 30 seconds to purge the system of air.
5. If air is still found in the water stream, continue to run water through the spray wand.

Cleaning a Surface (Fig. P)

1. To start the pressure washer, toggle the speed selector switch **9** to the HI or LO position.
2. The best angle for spraying water against a cleaning surface is 45°.
 - Spraying head on tends to cause dirt particles to imbed in the surface.
 - When working on vertical surfaces, it is best to apply detergent starting at the bottom and working upwards

which will prevent the detergent from sliding down and causing streaks.

- To disengage the spray handle, release the trigger.

Moving the Pressure Washer (Fig. A–D)

- Turn OFF the pressure washer unit **8** toggle the speed selector switch **9** to the center position. Then turn off the water supply.
- Point the spray wand **2** in a safe direction and pull the trigger **7** to release remaining water pressure.
- When the spray wand is completely empty, pull up the telescoping handle **12** and pull the pressure washer unit using the wheels **15** to your next location.

Shutdown (Fig. A, H, I, N, P)

- Turn OFF the pressure washer unit **8** by toggling the speed selector switch **9** to the center position. Then turn off the water supply and remove the battery packs from the pressure washer unit **8**.
- Discharge residual pressure by squeezing the trigger **7** until no more water comes out of the spray wand **2**.
- Engage the spray trigger lock-off **6**.
- Disconnect the garden hose from the water intake **17**.
- Disconnect the high pressure hose **1** from the high pressure water outlet **18** and drain hose.

Nozzle Cleaning (Fig. A, Q)



WARNING: To reduce the risk of serious personal injury, turn unit off and remove the battery pack before making any adjustments or removing/installing attachments or accessories. An accidental start-up can cause injury.

If the nozzle becomes clogged with foreign materials, such as dirt, excessive pressure may develop. If the nozzle becomes partially clogged or restricted, the pump pressure will pulsate. Clean the nozzle immediately using the nozzle cleaner.

- Turn OFF the pressure washer unit **8** by toggling the speed selector switch **9** to the center position.
- Turn off the water supply and remove the battery packs from the pressure washer unit **8**.
- Pull trigger **7** on spray handle **4** to relieve any water pressure.
- Remove the nozzle from the spray wand **2** by depressing the nozzle button **3** on the spray wand and pulling the nozzle.
- Using the nozzle cleaning tool **27**, unclog any debris from the nozzle.
- Run water from a faucet or garden hose through the nozzle.

Suction Hose (Fig. K)

- To clean the suction hose **28**, shut off the pressure washer.
- Pull the trigger switch to relieve any water pressure.
- Remove the suction hose **28** from the pressure washer.
- To clean the suction hose, use water from a garden hose to thoroughly rinse out the suction hose and allow it to fully dry.

Suction Hose Filter (Fig. R)

- Turn the filter **30** on the end of the suction hose **28** counterclockwise and remove.
- Remove the strainer from inside of the filter.
- Rinse all of the parts with clean water and reassemble.

MAINTENANCE

Your power tool has been designed to operate over a long period of time with a minimum of maintenance. Continuous satisfactory operation depends upon proper tool care and regular cleaning.



WARNING: To reduce the risk of serious personal injury, turn tool off and disconnect battery pack before making any adjustments or removing/installing attachments or accessories. An accidental start-up can cause injury.

The charger and battery pack are not serviceable.

Lubrication

Your power tool requires no additional lubrication.

Cleaning



WARNING: Electrical shock and mechanical hazard. Disconnect the electrical appliance from the power source before cleaning.



WARNING: To ensure safe and efficient operation, always keep the electrical appliance and the ventilation slots clean.



WARNING: Never use solvents or other harsh chemicals for cleaning the non-metallic parts of the tool. These chemicals may weaken the materials used in these parts. Use a cloth dampened only with water and mild soap. Never let any liquid get inside the tool; never immerse any part of the tool into a liquid.

Ventilation slots can be cleaned using a dry, soft non-metallic brush and/or a suitable vacuum cleaner. Do not use water or any cleaning solutions. Wear approved eye protection and an approved dust mask.

Storage (Fig. A, E, S)

- Store in a dry, covered location above freezing temperature with the batteries removed. STORE INDOORS.
- Always completely empty water from high pressure hose, pressure washer unit, nozzles, and spray wand.
- Nozzles can be stored in the nozzle storage slots in the storage compartment **41** as shown in Fig. A, E and Fig. S.
- High pressure hose and suction hose can be stored coiled up and secured between the cage and the pressure washer unit **8** as shown in Fig. A.
- Spray wand can be stored, broken down into three pieces, in the storage compartment **41** as shown in Fig. A, E and Fig. S.
- High pressure foam cannon **26** can be stored empty, in the built in storage space in the pressure washer unit as shown in Fig. A.

Optional Accessories



WARNING: Since accessories, other than those offered by DEWALT, have not been tested with this product, use of such accessories with this tool could be hazardous. To reduce the risk of injury, only DEWALT-recommended accessories should be used with this product.

Consult your dealer for further information on the appropriate accessories.

Protecting the Environment



Separate collection. Products and batteries marked with this symbol must not be disposed of with normal household waste.

Products and batteries contain materials that can be

recovered or recycled, reducing the demand for raw materials. Please recycle electrical products and batteries according to local provisions. Further information is available at www.2helpU.com.

Rechargeable Battery Pack

This long-life battery pack must be recharged when it fails to produce sufficient power on jobs that were easily done before. At the end of its technical life, discard it with due care for our environment:

- Run the battery pack down completely, then remove it from the tool.
- Li-Ion cells are recyclable. Take them to your dealer or a local recycling station. The collected battery packs will be recycled or disposed of properly.

TROUBLESHOOTING



WARNING: Risk of Unsafe Operation. Before servicing unit unplug or disconnect electrical supply, turn water supply off, discharge residual pressure, and engage spray handle lock-off.

PROBLEM	CAUSE	CORRECTION
Motor does not start.	Battery packs not installed properly.	Check battery pack installation.
	Battery packs not charged.	Check battery pack charging requirements.
	Speed selector switch is in the OFF position.	Toggle switch to the HI or LO position.
	Wand trigger not being squeezed.	Squeeze trigger with switch in ON position.
	Battery port door is not latched.	Press battery port door fully closed and ensure the battery port door lock is in the locked position.
Unit does not reach high pressure.	Water faucet not fully turned on.	Open water valve fully.
	Water inlet filter clogged.	Remove filter and rinse to clean.
	Nozzle worn.	Replace with new nozzle.
	Pump is sucking air.	Check that hoses and fittings are air tight. Turn OFF machine and purge pump by squeezing trigger until a steady flow of water emerges from the nozzle.
	Water supply restricted.	Check water hose for kinks, leaks and blockage.
Output pressure varies high/low.	Not enough inlet water supply.	Turn water on full force - check hose for leaks and kinks.
	Pump is sucking air.	Check that hoses and fittings are air tight. Turn OFF machine and purge pump by squeezing trigger until a steady flow of water emerges from the nozzle.
	Water inlet screen clogged.	To undog, rinse off with water.
	Discharge nozzle is obstructed.	Blow out or remove debris.
No detergent.	Soap bottle is empty.	Add more detergent.
	Soap bottle not properly connected.	Check connections. Ensure that the soap bottle is fully secured to the spray wand.
	Detergent is too thick.	Use detergent recommended for use in pressure washers only. Follow manufactures dilution directions.
	Damaged or dogged detergent suction ports.	Remove obstruction or debris and run warm water over the detergent suction ports.
	Discharge nozzle is obstructed.	Blow out or remove debris. Run warm water through nozzle to remove debris
Garden hose connection leaks.	Flow control knob closed.	Adjust the flow control knob on the top of the high pressure foam cannon.
	Loose fittings.	Tighten fittings.
	Missing/worn rubber washer.	Replace washer in hose adapter.
Suction hose does not self prime.	Loose fittings.	Tighten fittings.
	Filter not fully submerged.	Adjust float and ensure filter stays fully covered with liquid.
	Allow more time for pump to prime.	It could take several minutes at first to self prime. Ensure unit is on and trigger is being squeezed.
Spray wand or extension leaks.	Spray wand not properly attached.	Please refer to Assembling Spray Wand under Assembly and Adjustments .
	Broken O-ring.	Contact DEWALT customer service representative at 1-800-4-DEWALT (1-800-433-9258).
Pump is excessively noisy.	Pump is sucking air.	Check that hoses and fittings are air tight. Turn OFF machine and purge pump by squeezing trigger until a steady flow of water emerges from the nozzle.
Water leaks from pump.	Loose fittings.	Check that all fittings are tight.
	Water seals are damaged or worn.	Contact DEWALT customer service representative at 1-800-4-DEWALT (1-800-433-9258).
Oil leaks.	Oil seals are damaged or worn.	Contact DEWALT customer service representative at 1-800-4-DEWALT (1-800-433-9258).
Motor buzzes but fails to run.	System has residual pressure.	Turn unit off, squeeze trigger on spray wand to release pressure, then turn unit on.
	Pressure washer was not used for long periods.	Contact DEWALT customer service representative at 1-800-4-DEWALT (1-800-433-9258).

АККУМУЛЯТОРНАЯ МОЙКА ВЫСОКОГО ДАВЛЕНИЯ

DCMPW1600

Поздравляем!

Вы приобрели инструмент DEWALT. Многолетний опыт, тщательная разработка изделий и инновации делают компанию DEWALT одним из самых надёжных партнеров для пользователей профессионального электроинструмента.

Технические характеристики

	DCMPW1600
Входное напряжение	2x18 В _{пост. тока}
Тип аккумуляторной батареи	Литий-ионная
Тип	1
Номинальная скорость потока	4,5 л/мин.
Макс. скорость потока воды	5,5 л/мин.
Номинальное давление	110 бар / 1600 фунтов на кв. дюйм. / 11 МПа
Макс. давление	165 бар / 2390 фунтов на кв. дюйм. / 16,5 МПа
Макс. температура на входе	50 °C
Макс. входное давление	1 МПа (10 бар)
Толкающая сила пистолета при максимальном давлении	21 Н
Защита двигателя	IPX5
Вода на входе	Холодная чистая вода
Вес	10,9 кг
Значения шума и/или вибрации (сумма векторов в трех плоскостях) в соответствии с EN60335-2-79	

Протестированный уровень шума и вибрации:

Уровень акустического давления L_{PA} : 79,0 дБ(А); $K=3,0$ дБ(А)

Измеренный уровень акустической мощности: L_{WA} : 93,0 дБ(А); $K=4,3$ дБ(А)

Значения вибрационного воздействия a_h : менее 2,5 м/с²; $K=0,5$ м/с²

Значение шумовой эмиссии и/или эмиссии вибрации, указанное в данном справочном листке, было получено в соответствии со стандартным тестом, приведенным в EN, и может использоваться для сравнения инструментов. Кроме того, оно может использоваться для предварительной оценки воздействия вибрации.

! **ОСТОРОЖНО!** Заявленное значение шумовой эмиссии и/или эмиссии вибрации относится к основным областям применения инструмента. Однако, если инструмент используется для различных целей, с различными дополнительными принадлежностями или при ненадлежащем уходе, то

уровень шума и/или вибрации может измениться. Это может привести к значительному увеличению уровня воздействия вибрации в течение всего рабочего периода.

При расчете приблизительного значения уровня воздействия шума и/или вибрации также необходимо учитывать время, когда инструмент выключен или то время, когда он работает на холостом ходу. Это может привести к значительному снижению уровня воздействия вибрации в течение всего рабочего периода. Определите дополнительные меры техники безопасности для защиты оператора от воздействия шума и/или вибрации, а именно: поддержание инструмента и дополнительных принадлежностей в рабочем состоянии, создание комфортных условий работы (соответствующих вибрации), хорошая организация рабочего места.

Заявление о соответствии нормам ЕС Директива по механическому оборудованию



АККУМУЛЯТОРНЫЙ ОЧИСТИТЕЛЬ ВЫСОКОГО ДАВЛЕНИЯ DCMPW1600

DEWALT заявляет, что продукты, описанные в разделе «Технические характеристики» соответствуют: 2006/42/ЕС, EN 60335-1:2012+A11:2014+A13:2017+A1:2019+A14:2019+A2:2019+A15:2021, EN60335-2-79:2012.

2000/14/ЕС, Приложение V

L_{WA} (измеренный уровень акустической мощности) 93 дБ(А)
Погрешность (K) = 4,3 дБ(А)

L_{WA} (гарантированная акустическая мощность) 97 дБ(А).

Данные изделия также соответствуют Директивам 2014/30/EU и 2011/65/EU. Для получения дополнительной информации обратитесь в компанию DEWALT по адресу, указанному ниже или приведенному на задней стороне обложки руководства.

Нижеподписавшийся несет ответственность за составление технической документации и составил данную декларацию по поручению компании DEWALT.

Маркус Ромпель
Вице-президент отдела по разработке и производству, PTE-Europe
DEWALT, Richard-Klinger-Straße 11,
65510, Idstein, Германия
04.21.2023

Батареи				Зарядные устройства/время зарядки (мин)***									
Кат. №	V _{пост. тока}	Ah	Вес (kg)	DCB104	DCB107	DCB112/ DCB1102	DCB113	DCB115/ DCB1104	DCB116	DCB117	DCB118	DCB132	DCB119
DCB546	18/54	6,0/2,0	1,08	60	270	170	140	90	80	40	60	90	X
DCB547/G	18/54	9,0/3,0	1,46	75*	420	270	220	135*	110*	60	75*	135*	X
DCB548	18/54	12,0/4,0	1,46	120	540	350	300	180	150	80	120	180	X
DCB549	18/54	15,0/5,0	2,12	125	730	450	380	230	170	90	125	230	X
DCB181	18	1,5	0,35	22	70	45	35	22	22	22	22	22	45
DCB182	18	4,0	0,61	60/40**	185	120	100	60	60/45**	60/40**	60/40**	60	120
DCB183/B/G	18	2,0	0,40	30	90	60	50	30	30	30	30	30	60
DCB184/B/G	18	5,0	0,62	75/50**	240	150	120	75	75/60**	75/50**	75/50**	75	150
DCB185	18	1,3	0,35	22	60	40	30	22	22	22	22	22	40
DCB187	18	3,0	0,54	45	140	90	70	45	45	45	45	45	90
DCB189	18	4,0	0,54	60	185	120	100	60	60	60	60	60	120
DCBP034/G	18	1,7	0,32	27	82	50	40	27	27	27	27	27	50
DCBP518/G	18	5,0	0,75	50	240	150	120	75	60	50	50	75	150

*Код даты 201811475В или новее

**Код даты 201536 или новее

***Таблица представлена только для справки; время зарядки может варьироваться.



ВНИМАНИЕ: Во избежание риска получения травм ознакомьтесь с инструкцией.

Обозначения: правила техники безопасности

Ниже описывается уровень опасности, обозначаемый каждым из предупреждений. Прочитайте руководство и обратите внимание на данные символы.



ОПАСНО: Обозначает опасную ситуацию, которая неизбежно приведет к серьезной травме или смертельному исходу, в случае несоблюдения соответствующих мер безопасности.



ВНИМАНИЕ: Указывает на потенциально опасную ситуацию, которая, в случае несоблюдения соответствующих мер безопасности, может привести к серьезной травме или смертельному исходу.



ПРЕДУПРЕЖДЕНИЕ: Указывает на потенциально опасную ситуацию, которая, в случае несоблюдения соответствующих мер безопасности может стать причиной травм средней или легкой степени тяжести.

ПОЯСНЕНИЕ: Указывает на практики, использование которых не связано с получением травм, но если ими пренебречь, могут привести к порче имущества.



УКАЗЫВАЕТ НА РИСК ПОРАЖЕНИЯ ЭЛЕКТРИЧЕСКИМ ТОКОМ.



УКАЗЫВАЕТ НА РИСК ВОЗГОРАНИЯ.

ВАЖНЫЕ ПРАВИЛА ТЕХНИКИ БЕЗОПАСНОСТИ



ОСТОРОЖНО! При использовании этой мойки высокого давления соблюдайте основные меры предосторожности, включая следующее:

- Данный инструмент не предназначен для использования лицами (включая детей) с ограниченными физическими, психическими и умственными возможностями, не имеющими опыта и знаний.
- Не позволяйте детям играть с данным устройством.
- Перед использованием инструмента прочтите все инструкции по эксплуатации.
- Для снижения риска получения травмы необходим строгий контроль, если рядом с инструментом во время использования находятся дети.
- Знайте, как быстро остановить инструмент и сбросить давление. Внимательно ознакомьтесь с элементами управления.
- Будьте внимательны, следите за тем, что делаете.
- Не работайте инструментом, когда вы устали или находитесь под воздействием алкоголя или наркотических средств.
- Следите за тем, чтобы в рабочей зоне не было людей и животных.
- Не пытайтесь дотянуться до слишком удаленных поверхностей и не стойте на неустойчивой опоре. Всегда твердо стойте на ногах, сохраняя равновесие.
- Следуйте инструкциям по техническому обслуживанию, указанным в руководстве по эксплуатации.



ОСТОРОЖНО! Не направляйте выходящий поток на людей или животных, так как это влечет за собой риск получения травм.

! **ОСТОРОЖНО!** Перед сборкой, эксплуатацией или установкой инструмента полностью прочтите данное руководство.

! **ОСТОРОЖНО!** Данный инструмент был разработан для конкретных применений. Его нельзя модифицировать и/или использовать для каких-либо других целей, кроме тех, для которых он был разработан.

ПРИМЕЧАНИЕ. Всегда храните мойку высокого давления в месте, где температура не опускается ниже 4 °C (40 °F). Повреждения от замерзания не покрываются гарантией.

! **ОСТОРОЖНО!** Данный инструмент предназначен для использования с чистящим средством, поставляемым или рекомендованным производителем. Использование других чистящих средств или химикатов может отрицательно сказаться на безопасности инструмента.

! **ОСТОРОЖНО!** При использовании очистителей высокого давления могут образовываться аэрозоли. Вдыхание аэрозолей может быть опасно для здоровья.

! **ОСТОРОЖНО!** Струи под высоким давлением могут представлять опасность при неправильном использовании. Запрещается направлять струю на людей, электрооборудование под напряжением или на сам инструмент.

! **ОСТОРОЖНО!** Не используйте инструмент вблизи от людей, если они не носят защитную одежду.

! **ОСТОРОЖНО!** Не направляйте струю на себя или других людей с целью чистки одежды или обуви.

! **ОСТОРОЖНО!** Опасность взрыва — Не распыляйте легковоспламеняющиеся жидкости.

! **ОСТОРОЖНО!** Очистители высокого давления не должны использоваться детьми или необученным персоналом.

! **ОСТОРОЖНО!** Шланги высокого давления, фитинги и муфты важны для безопасности инструмента. Используйте только шланги, фитинги и муфты, рекомендованные производителем.

! **ОСТОРОЖНО!** Для обеспечения безопасности инструмента используйте только оригинальные запасные части от производителя или одобренные производителем.

! **ОСТОРОЖНО!** Вода, прошедшая через обратный клапан, считается непригодной для питья.

! **ОСТОРОЖНО!** Инструмент должен быть отключен от источника питания во время чистки или технического обслуживания, а также при замене деталей.

! **ОСТОРОЖНО!** Не используйте инструмент, если повреждены важные части инструмента, например, предохранительные устройства, шланги высокого давления, пистолет.

! **ОСТОРОЖНО!** В зависимости от области применения, для чистки под высоким давлением можно использовать насадки с ограждением, что значительно сократит выброс водосодержащих аэрозолей. Однако использование такого устройства допустимо не для каждого применения. Если насадки с ограждением не подходят для защиты от аэрозолей, может потребоваться респиратор класса FFP 2 или эквивалентный, в зависимости от среды чистки.

Согласно соответствующему законодательству, инструмент запрещается использовать вместе с системами подачи питьевой воды без устройства предотвращения противотока. Используйте устройство предотвращения противотока согласно IEC 61770. Вода, поступающая через устройство предотвращения противотока, считается непригодной для питья.



1. **Не прикасайтесь к вилке или розетке мокрыми руками.**
2. **Не допускайте непреднамеренного запуска.**
Перед подключением или отключением кабеля от электрической розетки переведите переключатель на инструменте в положение ВЫКЛ.
3. **Никогда не направляйте струю воды на какую-либо электрическую проводку или непосредственно на саму мойку высокого давления — это может привести к поражению электрическим током со смертельным исходом.**
4. **Узкий точечный поток очень мощный.** Не рекомендуется использовать его на окрашенных поверхностях, деревянных поверхностях или предметах, прикрепленных клеей/основой.
5. **Следите за тем, чтобы в рабочей зоне не было людей и животных.**
6. **При работе с мойкой высокого давления всегда держите штангу-распылитель обеими руками, чтобы полностью контролировать ее.**
7. **Не прикасайтесь к насадке или струе воды во время работы.** Никогда не держите руки перед насадкой.
8. **Надевайте защитные очки во время работы.** Надевайте защитную одежду и обувь для защиты от случайного распыления.
9. **Отсоединяйте вилку кабеля питания от розетки, когда инструмент не используется, и перед отсоединением шланга высокого давления.**
10. **Никогда не завязывайте узлы и не сгибайте шланг высокого давления, так как это может привести к его повреждению. Регулярно осматривайте шланг высокого давления. Если шланг поврежден, изношен или имеет признаки трещин, пузырей, проколов или других протечек, немедленно**

замените его. Никогда не беритесь за протекающий или поврежденный шланг высокого давления.

11. **Запрещается использовать или хранить данный инструмент при температуре ниже 4 °C (40 °F).** Повреждения от замерзания не покрываются гарантией.
12. **Перед использованием внимательно изучите все инструкции и предупреждения касательно химических веществ. Используйте только одобренные чистящие средства для мойки высокого давления. Не используйте отбеливатель, хлор или любые чистящие средства, содержащие кислоты. Всегда следуйте рекомендациям производителя по правильному использованию чистящих средств.** Всегда защищайте глаза, кожу и органы дыхания от чистящих средств.
13. **Запрещается использовать мойку высокого давления в местах, где могут присутствовать пары газа.** Электрическая искра может привести к взрыву или возгоранию.
14. **Чтобы свести к минимуму количество воды, попадающей в мойку высокого давления, во время работы ее следует размещать как можно дальше от места очистки.**
15. **Во избежание случайного распыления пистолет-распылитель следует блокировать, когда он не используется.**
16. **Чтобы обеспечить свободную циркуляцию воздуха, НЕ СЛЕДУЕТ накрывать мойку высокого давления во время работы.**
17. **Никогда не прикасайтесь, не обхватывайте и не пытайтесь закрыть точечное отверстие или подобное протекание воды на шланге высокого давления.** Струя воды НАХОДИТСЯ под высоким давлением и ПРОНИКНЕТ в кожу.
18. **Используйте только шланги и дополнительные принадлежности, рассчитанные на давление выше, чем фунты на кв. дюйм./бар вашей мойки высокого давления.** Никогда не используйте дополнительные принадлежности или компоненты других производителей.
19. **Никогда не нарушайте функции безопасности данного инструмента.**
20. **Не используйте инструмент с отсутствующими, сломанными или неофициальными деталями.**
21. **Никогда не распыляйте легковоспламеняющиеся жидкости и не используйте мойку высокого давления в местах, содержащих горючую пыль, жидкость или пары.**

Безопасность окружающих

- Данный инструмент не предназначен для использования лицами (включая детей) с ограниченными физическими, сенсорными или ментальными возможностями, а также лицами без достаточного опыта и знаний, если только они не делают этого под руководством лица

имеющего соответствующий опыт и отвечающего за их безопасность.

- Не позволяйте детям играть с данным устройством.

Вибрация

Заявленные значения вибрации, указанные в технических спецификациях и заявлениях о соответствии, были измерены в соответствии со стандартным методом тестирования EN60335-2-79 и пригодны для сравнения инструментов. Приведенные значения уровня вибрации могут также использоваться для предварительной оценки величины вибрационного воздействия.



ОСТОРОЖНО! Значения вибрационного воздействия при работе с мойкой высокого давления зависят от вида работ, выполняемых данным инструментом, и могут отличаться от заявленных значений. Уровень вибрации может быть выше заявленного.

При оценке уровня вибрации для определения меры безопасности, предусмотренного 2002/44/ЕС для защиты людей, регулярно работающих с электроинструментом, нужно принимать во внимание уровень вибрации, реальные условия и способ использования инструмента, а также учитывать все этапы работы — когда инструмент выключается, когда он работает на холостом ходу, а также время переключения с одного режима на другой.

Остаточные риски

Несмотря на соблюдение соответствующих инструкций по технике безопасности и использование предохранительных устройств, некоторые остаточные риски невозможно полностью исключить. А именно:

- ухудшение слуха;
- риск травм от разлетающихся частиц;
- риск получения ожогов в результате нагревания инструмента в процессе работы;
- риск получения травмы в результате продолжительной работы.

СОХРАНИТЕ НАСТОЯЩЕЕ РУКОВОДСТВО

Зарядные устройства

Зарядные устройства DEWALT не требуют регулировки и максимально просты в использовании.

Электробезопасность

Электродвигатель рассчитан на работу только при одном напряжении сети. Необходимо обязательно убедиться в том, что напряжение источника питания соответствует указанному на шильдике устройства. Необходимо также убедиться в том, что напряжение работы зарядного устройства соответствует напряжению в сети.



Зарядное устройство DEWALT оснащено двойной изоляцией в соответствии с требованиями EN60335; поэтому провод заземления не требуется.

В случае повреждения кабеля питания его необходимо заменить специально подготовленным кабелем, который можно приобрести в сервисных центрах DEWALT.

Использование удлинительного кабеля

Используйте удлинитель только в случаях крайней необходимости. Используйте только утвержденные удлинители промышленного изготовления, рассчитанные на мощность не меньшую, чем потребляемая мощность зарядного устройства (см. **Технические характеристики**). Минимальное поперечное сечение провода электрического кабеля должно составлять 1 мм²; максимальная длина 30 м. При использовании кабельного барабана всегда полностью разматывайте кабель.

Важные инструкции по технике безопасности для всех зарядных устройств

СОХРАНИТЕ НАСТОЯЩЕЕ РУКОВОДСТВО. В данном руководстве содержатся важные инструкции по технике безопасности для совместимых зарядных устройств (см. **Технические характеристики**).

- *Перед тем как использовать зарядное устройство, внимательно изучите все инструкции и предупреждающие этикетки на зарядном устройстве, батарее и инструменте, для которого используется батарея.*



ВНИМАНИЕ: Опасность поражения электрическим током. Не допускайте попадания жидкости в зарядное устройство. Это может привести к поражению электрическим током.



ВНИМАНИЕ: Рекомендуется использовать устройство защитного отключения (УЗО) с током утечки до 30 мА.



ВНИМАНИЕ: Опасность ожога. Во избежание травм, следует использовать только аккумуляторные батареи производства DEWALT. Использование батарей другого типа может привести к взрыву, травмам и повреждениям.



ПРЕДУПРЕЖДЕНИЕ: Не позволяйте детям играть с данным устройством.

ПОЯСНЕНИЕ: В определенных условиях, при подключении зарядного устройства к источнику питания, может произойти короткое замыкание контактов внутри зарядного устройства посторонними материалами. Не допускайте попадания в полость зарядного устройства таких токопроводящих материалов, как стальная стружка, алюминиевая фольга или другие металлические частицы и т. п. Всегда отключайте зарядное устройство от источника питания, если в нем нет аккумуляторной батареи. Всегда отключайте зарядное устройство от сети перед тем, как приступить к очистке инструмента

- **НЕ ПЫТАЙТЕСЬ** заряжать батареи с помощью каких-либо других зарядных устройств, кроме тех, которые указаны в данном руководстве. Зарядное устройство и батарея предназначены для совместного использования.
- Эти зарядные устройства не предназначены ни для какого другого использования, помимо зарядки аккумуляторных батарей DEWALT. Использование любых других батарей может привести к возгоранию, поражению электротоком или гибели от электрического шока.
- **Не подвергайте зарядное устройство воздействию снега или дождя.**
- **При отключении зарядного устройства от сети всегда тяните за штепсельную вилку, а не за кабель.** Это поможет избежать повреждения штепсельной вилки и розетки.
- **Убедитесь в том, что кабель расположен таким образом, чтобы на него не наступили, не споткнулись об него, а также в том, что он не натянут и не может быть поврежден.**
- **Не используйте удлинительный кабель без крайней необходимости.** Использование удлинительного кабеля неподходящего типа может привести к пожару или поражению электрическим током.
- **Не ставьте на зарядное устройство никакие предметы и не устанавливайте зарядное устройство на мягкую поверхность, которая может закрыть вентиляционные отверстия и привести к перегреву.** Не размещайте зарядное устройство поблизости от источников тепла. Вентиляция зарядного устройства происходит с помощью отверстий в верхней и нижней части корпуса.
- **Не используйте зарядное устройство при наличии повреждений кабеля или штепсельной вилки – в этом случае необходимо немедленно их заменить.**
- **Не используйте зарядное устройство, если его роняли, либо если оно подвергалось сильному ударам или было повреждено каким-либо иным образом.** Обратитесь в авторизованный сервисный центр.
- **Не разбирайте зарядное устройство. При необходимости обратитесь в специализированный сервисный центр, если нужно провести обслуживание или ремонт инструмента.** Неправильная сборка может стать причиной пожара или поражения электрическим током.
- В случае повреждения кабеля питания его необходимо немедленно заменить у производителя, в его сервисном центре или с привлечением другого специалиста аналогичной квалификации для предотвращения несчастного случая.
- **Перед очисткой отключите зарядное устройство от сети. В противном случае, это может привести к поражению электрическим током.** Извлечение аккумуляторной батареи не приведет к снижению степени этого риска.
- **НИКОГДА** не пытайтесь соединить два зарядных устройства вместе.
- **Зарядное устройство предназначено для работы при стандартном напряжении сети в 230 В. Не**

пытайтесь использовать его при каком-либо ином напряжении. Это не относится к автомобильному зарядному устройству.

Зарядка батареи (Рис. [Fig.] B)

1. Перед установкой батареи подключите зарядное устройство к соответствующей сетевой розетке.
2. Вставьте аккумуляторную батарею **35** в зарядное устройство, убедившись в том, что она хорошо установлена. Красный индикатор зарядки начнет мигать. Это означает, что процесс зарядки начался.
3. По окончании зарядки красный индикатор будет гореть непрерывно, не мигая. Теперь батарея полностью заряжена, и ее можно использовать или оставить в зарядном устройстве. Чтобы извлечь аккумуляторную батарею из зарядного устройства, нажмите кнопку фиксатора батареи **36** и извлеките батарею.

ПРИМЕЧАНИЕ: Чтобы обеспечить максимальную производительность и срок службы литий-ионных батарей, перед первым использованием полностью зарядите аккумуляторную батарею.

Работа с зарядным устройством

См. состояние зарядки аккумуляторной батареи на приведенных ниже индикаторах.

Индикаторы зарядки	
	Зарядка
	Полностью заряжен
	Температурная задержка*

*Красный индикатор продолжит мигать, но загорится желтый индикатор. После того, как батарея достигнет рабочей температуры, желтый индикатор погаснет, и зарядка продолжится.

Зарядное(-ые) устройство(-а) не может(-гут) полностью зарядить неисправную аккумуляторную батарею. При неисправной аккумуляторной батарее, индикатор на зарядном устройстве не загорится.

ПРИМЕЧАНИЕ: Также это может указывать на проблему с зарядным устройством.

Если зарядное устройство указывает на наличие проблемы, проверьте аккумулятор и зарядное устройство в специализированном сервисном центре.

Температурная задержка

Если температура батареи слишком низкая или слишком высокая, зарядное устройство автоматически переходит в режим температурной задержки; при этом зарядка не начинается до тех пор, пока батарея не достигнет нужной температуры. После того, как нужный уровень температуры будет достигнут, устройство перейдет в режим зарядки. Данная функция обеспечивает максимальный срок эксплуатации батареи.

Зарядка холодной батареи занимает больше времени, чем теплой. Аккумуляторная батарея заряжается медленнее

во время всего цикла зарядки и максимального заряда не удастся добиться даже после того, как аккумуляторная батарея нагреется.

Зарядное устройство DCB118 оснащено внутренним вентилятором для охлаждения батареи. Вентилятор включится автоматически, если батарея нуждается в охлаждении. Не используйте зарядное устройство, если вентилятор не функционирует или если забиты вентиляционные отверстия. Не позволяйте посторонним предметам попадать внутрь зарядного устройства.

Система электронной защиты

Литий-ионные аккумуляторные батареи XR оснащены системой электронной защиты, которая защищает аккумуляторную батарею от перегрузки, перегрева или глубокой разрядки.

При срабатывании системы электронной защиты инструмент автоматически отключается. В этом случае поставьте литий-ионную батарею на зарядку до тех пор, пока она полностью не зарядится.

Крепление на стену

Данные зарядные устройства могут крепиться на стены или устанавливаться на стол или рабочую поверхность. При креплении на стену расположите зарядное устройство в пределах досягаемости розетки и подальше от углов и других препятствий, которые могут помешать потоку воздуха. Используйте заднюю часть зарядного устройства в качестве образца для положения монтажных болтов на стене. Надежно закрепите зарядное устройство при помощи саморезов (приобретаются отдельно) длиной минимум в 25,4 мм с диаметром шляпки самореза в 7–9 мм, вкрученных в дерево до оптимальной глубины, оставляющей на поверхности примерно 5,5 мм самореза. Совместите отверстия на задней стороне зарядного устройства с выступающими саморезами и полностью вставьте их в отверстия.

Инструкции по очистке зарядного устройства

⚠ ВНИМАНИЕ: Опасность поражения электрическим током. Перед чисткой отключите зарядное устройство от сети питания. Грязь и жир можно удалить с наружной поверхности зарядного устройства с помощью тряпки или мягкой неметаллической щетки. Не используйте воду или чистящие растворы. Не допускайте попадания жидкости внутрь инструмента; никогда не погружайте никакие из деталей инструмента в жидкость.

Аккумуляторные батареи

Важные инструкции по технике безопасности для всех батарей

При заказе запасных батарей не забудьте указать номер по каталогу и напряжение.

При покупке батарея заряжена не полностью. Перед тем, как использовать батарею и зарядное устройство, прочтите

следующие инструкции по технике безопасности. Затем выполните необходимые действия для зарядки.

ВНИМАТЕЛЬНО ПРОЧИТЕ ВСЕ ИНСТРУКЦИИ

- **Не заряжайте и не используйте батарею во взрывоопасной атмосфере, например, при наличии горючих жидкостей, газов или пыли.** Установка или удаление батареи из зарядного устройства может привести к воспламенению пыли или газов.
- **Никогда не прилагайте больших усилий, вставляя батарею в зарядное устройство. Не вносите изменения в конструкцию батарей с целью установить их в зарядное устройство, к которому они не подходят. Это может привести к серьезным травмам.**
- Заряжайте батареи только с помощью зарядных устройств DEWALT.
- **НЕ ПРОЛИВАЙТЕ** на них и не погружайте их в воду или другие жидкости.
- **Не храните и не используйте данное устройство и батарею при температуре выше 40 °C (например, на внешних пристройках или на металлических поверхностях зданий в летнее время).**
- **Не сжигайте батареи, даже поврежденные или полностью отработавшие.** При попадании в огонь батареи могут взорваться. При сжигании литий-ионных батарей образуются токсичные вещества и газы.
- **При попадании содержимого батареи на кожу, немедленно промойте это место водой с мылом.** При попадании содержимого батареи в глаза, необходимо промыть открытые глаза проточной водой в течение 15 минут или до тех пор, пока не пройдет раздражение. При необходимости обращения к врачу, может пригодиться следующая информация: электролит представляет собой смесь жидких органических углекислых и литиевых солей.
- **При вскрытии батареи, ее содержимое может вызвать раздражение дыхательных путей.** Обеспечьте наличие свежего воздуха. Если симптомы сохраняются, обратитесь к врачу.



ВНИМАНИЕ: Опасность ожога. Содержимое батареи может воспалиться при попадании искр или огня.



ВНИМАНИЕ: Ни в коем случае не разбирайте батарею. При наличии трещин или других повреждений батареи, не устанавливайте ее в зарядное устройство. Не роняйте батарею и не подвергайте ее ударам или другим повреждениям. Не используйте батарею или зарядное устройство после удара, падения или получения каких-либо других повреждений (например, после того, как ее проткнули гвоздем, ударили молотком или наступили на нее). Это может привести к электрическому шоку или смерти. Поврежденные

батареи необходимо вернуть в сервисный центр для повторной переработки.



ВНИМАНИЕ: Риск воспламенения. Избегайте замыкания выводов батарей металлическими предметами во время хранения или переноски.

Например, не кладите аккумуляторные батареи в передники, карманы, ящики для инструментов, выдвижные ящики и т. п. с гвоздями, гайками, ключами и т. п.



ПРЕДУПРЕЖДЕНИЕ: Когда устройство не используется, кладите его на бок на устойчивую поверхность в таком месте, где оно не может упасть и об него нельзя споткнуться. Некоторые устройства с батареями большого размера, стоят сверху на батарее, и могут легко упасть.

Транспортировка



ВНИМАНИЕ: Риск воспламенения. При транспортировке аккумуляторных батарей может произойти возгорание, если терминалы аккумуляторных батарей случайно будут замкнуты электропроводящими материалами. При транспортировке аккумуляторных батарей убедитесь в том, что терминалы защищены и хорошо изолированы от материалов, контакт с которыми может привести к короткому замыканию.

ПРИМЕЧАНИЕ: Литий-ионные аккумуляторные батареи запрещается сдавать в багаж.

Батареи DEWALT соответствуют всем применимым правилам транспортировки, как предусмотрено промышленными и юридическими стандартам, включая рекомендации ООН по транспортировке опасных грузов; Ассоциация международных авиаперевозчиков (IATA) правила перевозки опасных грузов, Международные правила перевозки опасных грузов морским путем (IMDG), и европейское соглашение о международной дорожной перевозке опасных грузов (ADR). Литий-ионные элементы и аккумуляторные батареи были протестированы в соответствии с разделом 38.3 Рекомендаций ООН по транспортировке опасных грузов руководства по тестами и критериям.

В большинстве случаев транспортировка аккумуляторных батарей DEWALT не попадает под классификацию, поскольку они не являются опасными материалами Класса 9. В целом, полностью под правила Класса 9 подпадают только перевозки литий-ионных батарей с энергоемкостью выше 100 Ватт час (Вт ч). Энергоемкость всех литий-ионных аккумуляторных батарей в Ватт-часах указана на упаковке. Кроме того, из-за сложности правил, DEWALT не рекомендует перевозку литий-ионных батарей по воздуху вне зависимости от их энергоемкости. Поставки инструментов с батареями (комбинированные наборы) могут перевозиться по воздуху согласно исключениям, если энергоемкость батареи не превышает 100 Вт ч.

Независимо от того, является ли перевозка исключением или выполняется по правилам, перевозчик должен

уточнить последние требования к упаковке, маркировке и оформлению документации.

Информация, изложенная в данном руководстве обоснована и на момент создания данного документа может считаться точной. Но эта гарантия не является ни выраженной, ни подразумеваемой. Покупатель должен обеспечить то, что бы его деятельность соответствовала всем применимым законам.

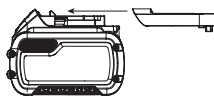
Транспортировка батареи FLEXVOLT™

Батарея DeWALT FLEXVOLT™ оснащена двумя режимами: **эксплуатация и транспортировка.**

Режим эксплуатации: если батарея FLEXVOLT™ используется отдельно или в изделии DeWALT на 18 В, то она будет работать в качестве батареи 18 В. Если батарея FLEXVOLT™ используется в изделии на 54 В или 108 В (две батареи 54 В), то она будет работать в качестве батареи 54 В.

Режим транспортировки: если к батарее FLEXVOLT™ прикреплена крышка, то батарея находится в режиме транспортировки. Сохраните крышку для транспортировки.

При режиме транспортировки ряды элементов электрически отсоединяются внутри батареи, что в итоге дает



3 батареи с более низкой энергоемкостью в ватт-часах (Вт ч) по сравнению с 1 батареей с более высокой емкостью в ватт-часах. Данное увеличенное количество в 3 батареи с более низкой энергоемкостью может исключить комплект из некоторых ограничений на перевозку, налагаемых на батареи с более высокой энергоемкостью.

Например, энергоемкость в режиме транспортировки

Пример маркировки режимов эксплуатации и транспортировки



указана как 3 × 36 Вт ч, что может означать 3 батареи с емкостью в 36 Вт ч каждая. Энергоемкость в режиме эксплуатации указана как 108 Вт ч (подразумевается 1 батарея).

Рекомендации по хранению

1. Лучшим местом для хранения является прохладное и сухое место, защищенное от прямых солнечных лучей, высокой или низкой температуры. Для оптимальной работы и продолжительного срока службы, храните неиспользуемые аккумуляторные батареи при комнатной температуре.
2. Для достижения максимальных результатов при продолжительном хранении рекомендуется полностью зарядить батарейный комплект и хранить его в прохладном сухом месте вне зарядного устройства.

ПРИМЕЧАНИЕ: Аккумуляторные батареи не должны храниться в полностью разряженном состоянии. Перед использованием аккумуляторная батарея требует повторной зарядки.

Маркировка на зарядном устройстве и аккумуляторной батарее

Помимо пиктограмм, используемых в данном руководстве, на зарядном устройстве и батарее имеются следующие обозначения:



Перед началом работы прочтите руководство по эксплуатации.



Чтобы узнать время зарядки, см. **Технические характеристики.**



Не касайтесь токопроводящими предметами контактов батареи и зарядного устройства.



Не пытайтесь заряжать поврежденную батарею.



Не подвергайте электроинструмент или его элементы воздействию влаги.



Немедленно замените поврежденный кабель питания.



Зарядку осуществляйте только при температуре от 4 °C до 40 °C.



Для использования внутри помещений.



Утилизируйте отработанные батареи безопасным для окружающей среды способом.



Заряжайте аккумуляторные батареи DeWALT только с помощью соответствующих зарядных устройств DeWALT. Зарядка иных аккумуляторных батарей отличных от разработанных DeWALT может привести к возгоранию аккумуляторных батарей и возникновению других опасных ситуаций.



Не сжигайте аккумуляторную батарею.



ЭКСПЛУАТАЦИЯ (без крышки для транспортировки). Пример: энергоемкость указана как 108 Вт ч (1 батарея с 108 Вт ч).



ТРАНСПОРТИРОВКА (с крышкой для транспортировки). Пример: энергоемкость указана как 3 × 36 Вт ч (3 батареи по 36 Вт ч).

Тип аккумуляторной батареи

Данная DCMPW1600 работает от двух аккумуляторных батарей 18 В одинаковой емкости. DCMPW1600 не может работать от одной аккумуляторной батареи, а

в случае использования аккумуляторных батарей 18 В разной емкости остановится при разрядке батареи с меньшей емкостью. Для обеспечения оптимальной производительности и времени работы рекомендуется использовать аккумуляторные батареи 9,0 А ч DCB547.

ПРИМЕЧАНИЕ. Для получения наилучших результатов перед использованием убедитесь, что обе аккумуляторные батареи полностью заряжены.

Могут использоваться следующие типы аккумуляторных батарей: DCB181, DCB182, DCB183, DCB183B, DCB183G, DCB184, DCB184B, DCB184G, DCB185, DCB187, DCB189, DCBP034, DCBP034G, DCBP518, DCBP518G, DCB546, DCB547, DCB547G, DCB548, DCB549. Подробную информацию см. в разделе «Технические характеристики».

Комплект поставки

В комплект входят:

- 1 Мойка высокого давления
- 1 Пистолет-распылитель
- 1 Шланга-распылитель
- 1 Шланг высокого давления
- 1 Самовсасывающий шланг
- 1 Распылитель пены высокого давления
- 1 Входной фильтр для воды
- 1 Регулируемая насадка
- 1 Насадка Турбо
- 1 Игла для чистки насадки
- 1 Универсальный разъем шланга
- 1 Литий-ионная аккумуляторная батарея (модели C1, D1, E1, G1, H1, L1, M1, P1, Q1, S1, T1, U1, X1, Y1, Z1)
- 2 Литий-ионные аккумуляторные батареи (модели C2, D2, E2, G2, H2, L2, M2, P2, Q2, S2, T2, U2, X2, Y2, Z2)
- 3 Литий-ионные аккумуляторные батареи (модели C3, D3, E3, G3, H3, L3, M3, P3, Q3, S3, T3, U3, X3, Y3, Z3)
- 1 Руководство по эксплуатации

ПРИМЕЧАНИЕ. Аккумуляторные батареи, зарядные устройства и инструментальные ящики не входят в комплект поставки для моделей N. Аккумуляторные батареи и зарядные устройства не входят в комплект поставки для моделей NT. Модели V включают в себя аккумуляторные батареи Bluetooth®.

ПРИМЕЧАНИЕ. Словесный товарный знак и логотип Bluetooth® являются зарегистрированными товарными знаками Bluetooth®, SIG, Inc. и любое использование этих знаков DeWALT выполняется по лицензии. Другие торговые марки и названия принадлежат их владельцам.

- Проверьте инструмент, детали и дополнительные принадлежности на предмет повреждений, которые могли произойти во время транспортировки.
- Перед эксплуатацией внимательно прочтите данное руководство.

Маркировка на инструменте

На инструмент нанесены следующие обозначения:



Осторожно! Во избежание риска получения травм прочтите руководство по эксплуатации.



Используйте защитные очки.



Используйте защитные наушники.



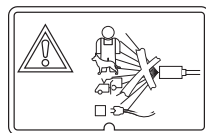
Инструмент не подходит для подключения к водопроводу с питьевой водой.



Гарантированная акустическая мощность по директиве 2000/14/EC.
DCMPW1600



Всегда извлекайте аккумуляторную батарею из инструмента перед чисткой или техническим обслуживанием.



Запрещается направлять водяную струю на людей, животных, инструмент или электрические компоненты

Местоположение кода даты (Рис. С)

Код даты изготовления **37** состоит из 4 цифр года, за которыми следуют 2 цифры недели и 2 цифры заводского кода.

Описание (рис. А)

ОСТОРОЖНО! Никогда не вносите изменения в конструкцию электроинструмента или какой-либо его части. Это может привести к повреждению или травмам.

- 1 Шланг высокого давления
- 2 Шланга-распылитель
- 3 Отпирающая кнопка насадки
- 4 Пистолет-распылитель
- 5 Рукоятка пистолета-распылителя
- 6 Блокировка пускового выключателя
- 7 Пусковой выключатель
- 8 Мойка высокого давления
- 9 Переключатель скорости
- 10 Дверца отсека хранения
- 11 Защелка дверцы
- 12 Выдвижная рукоятка
- 13 Кнопка разблокировки рукоятки
- 14 Защитный каркас

- 15 Колеса для транспортировки
- 16 Ножки
- 17 Водозабор садового шланга
- 18 Выпускное отверстие воды под высоким давлением
- 19 Кнопка увеличения мощности
- 20 Крышка батарейного отсека
- 21 Защелка крышки батарейного отсека
- 22 Насадка Турбо
- 23 Регулируемая насадка
- 24 Входной фильтр для воды
- 25 Быстросъемный переходник шланга
- 26 Распылитель пены высокого давления
- 27 Игла для чистки насадки
- 28 Самовсасывающий шланг
- 29 Шаровой поплавок
- 30 Фильтр всасывающего шланга
- 31 Муфта всасывающего шланга
- 32 Фиксатор хранения шланга
- 33 Защелка хранения шланга
- 34 Ремень хранения шланга

Назначение

Данная мойка высокого давления предназначена для чистки лодок, автомобилей, палуб, подъездных дорог, решеток, обшивки домов, мотоциклов, террас и садовой мебели.

ЗАПРЕЩАЕТСЯ использовать в условиях повышенной влажности или близости от легковоспламеняющихся жидкостей или газов.

НЕ РАЗРЕШАЙТЕ детям прикасаться к инструменту.

Использование инструмента неопытными пользователями должно происходить под контролем опытного лица.

- **Малолетние дети и люди с ограниченными физическими возможностями.** Данный инструмент не предназначен для использования маленькими детьми или людьми с ограниченными физическими возможностями, если они не находятся под присмотром лица, отвечающего за их безопасность.
- Данное изделие не предназначено для использования лицами (включая детей) с ограниченными физическими, психическими и умственными возможностями, не имеющими опыта, знаний или навыков работы с ним, если они не находятся под наблюдением лица, ответственного за их безопасность. Никогда не оставляйте детей с этим изделием без присмотра.

СБОРКА И РЕГУЛИРОВКА

ВНИМАНИЕ: Чтобы снизить риск получения серьезной травмы, необходимо выключить инструмент и отсоединить батарею, прежде чем выполнять какую-либо регулировку либо удалять/устанавливать какие-либо насадки или дополнительные принадлежности.

Случайный запуск может привести к DEWALT.



ВНИМАНИЕ: Используйте только зарядные устройства и аккумуляторные батареи марки DEWALT.

Ручки для переноски защитного каркаса (рис. А)

Мойка высокого давления оснащена защитным каркасом, который обеспечивает защиту от ежедневного износа на стройплощадке, а также предоставляет несколько ручек для переноски **14**. Используйте любую часть защитного каркаса для переноски мойки высокого давления. **НЕ ПЕРЕНОСИТЕ** мойку высокого давления, держась за фиксатор хранения шланга **32** или выдвижную рукоятку **12**.

Выдвижная рукоятка (рис. А, D)

Мойка высокого давления оснащена выдвижной рукояткой и колесами для удобной транспортировки.

1. Для разблокирования рукоятки **12** нажмите кнопку разблокирования рукоятки **13** и выдвиньте рукоятку вверх. Рукоятка встанет на место со щелчком.
2. Для установки рукоятки **12** в положение хранения, нажмите кнопку разблокирования рукоятки **13** и задвиньте рукоятку вниз в корпус мойки высокого давления. Рукоятка встанет на место со щелчком.
3. Для транспортировки мойки **8** наклоните ее так, чтобы колеса **15** касались земли, и тяните мойку за выдвижную рукоятку.

Отсек для хранения принадлежностей (рис. А, Е)

Мойка высокого давления оснащена встроенным отсеком **41** для хранения штанги-распылителя, пистолета-распылителя, рукоятки пистолета-распылителя и насадок.

1. Чтобы разблокировать дверцу отсека **10**, поверните защелку дверцы **11** против часовой стрелки и откройте дверцу, получая доступ к штанге-распылителю **2**, пистолету-распылителю **4**, рукоятке пистолета-распылителя **5**, насадке Турбо **22** и регулируемой насадке **23**.
2. Чтобы заблокировать дверцу отсека **10**, поместите ее в закрытое положение. Поверните защелку дверцы **11** по часовой стрелке, чтобы зафиксировать дверцу отсека на месте.

Сборка штанги-распылителя (рис. F)

1. Чтобы соединить пистолет-распылитель **4** с рукояткой пистолета-распылителя **5**, вставьте резьбовой конец пистолета-распылителя в резьбовой конец рукоятки. Вращайте пистолет-распылитель **4** по часовой стрелке, пока он не будет полностью затянут.
2. Чтобы соединить штангу-распылитель **2** с пистолетом-распылителем **4**, вставьте резьбовой конец штанги-распылителя в резьбовое кольцо **42** пистолета. Вращайте резьбовое кольцо **42** по часовой стрелке, пока оно не будет полностью затянуто.

Хранение шланга высокого давления и всасывающего шланга (рис. G)

Мойка высокого давления оснащена встроенным местом для хранения шланга высокого давления. Смотанный шланг закрепляется между фиксатором хранения шланга **32** и мойкой высокого давления **8**.

1. Чтобы получить доступ к шлангу высокого давления **1** или всасывающему шлангу **28**, разблокируйте защелку хранения шланга **33** и поверните фиксатор хранения шланга **32** в сторону от мойки высокого давления **8**.
2. Размотайте ремень хранения шланга **34** и снимите шланг с мойки высокого давления **8**.
3. Поверните фиксатор хранения шланга **32** в закрытое положение и заблокируйте защелку хранения шланга **33**, закрепляя фиксатор **32** на мойке высокого давления **8**.

Установка шланга высокого давления (рис. H)

ВНИМАНИЕ! НИКОГДА НЕ ТЯНИТЕ ЗА ШЛАНГ ПОДАЧИ ВОДЫ ДЛЯ ПЕРЕМЕЩЕНИЯ мойки высокого давления. Это может привести к повреждению шланга и/или входа насоса.

ПРИМЕЧАНИЕ. Перед установкой полностью размотайте шланг высокого давления **1**, чтобы предотвратить его перекручивание.

ПРИМЕЧАНИЕ. Избегайте свинчивания не по резьбе при установке шланга. Свинчивание не по резьбе приведет к возникновению утечек.

1. Чтобы соединить шланг высокого давления **1** с рукояткой пистолета-распылителя **5**, навинтите муфту шланга **39** на входное соединение **40**.
2. Чтобы соединить шланг высокого давления с мойкой высокого давления **8**, навинтите муфту шланга **40** на выпускное отверстие воды под высоким давлением **18**.

Установка садового шланга (рис. I)

ПРИМЕЧАНИЕ. Прежде чем подсоединить садовый шланг к мойке высокого давления, пропустите воду через садовый шланг в течение тридцати секунд, чтобы удалить любой мусор из садового шланга.

1. Чтобы соединить садовый шланг **38** с мойкой высокого давления **8** сначала навинтите входной фильтр для воды **24** на водозабор **17**.
2. Выверните основание быстросъемного переходника шланга **25** и вставьте основание на шланг. Втолкните шланг в быстросъемный переходник шланга до упора. Наверните основание на быстросъемный переходник шланга **25**, чтобы закрепить шланг в быстросъемном переходнике шланга **25**.
3. Втолкните быстросъемный переходник шланга **25** во входной фильтр для воды **24** до щелчка.

ПРИМЕЧАНИЕ. Всегда отсоединяйте садовый шланг после использования.

Установка насадок (рис. J)

ОПАСНО! Риск впрыска жидкости под кожу. Запрещается направлять струю на людей, незащищенную кожу или глаза, а также на животных. Это приведет к тяжелым травмам.

ОСТОРОЖНО! Летящие предметы создают риск тяжелых травм. ЗАПРЕЩАЕТСЯ менять насадки во время работы мойки высокого давления. Перед сменой насадок выключайте мойку высокого давления.

1. Чтобы установить насадку на шлангу-распылитель **2**, нажмите на отпирающую кнопку насадки **3** на штанге-распылителе и вставьте нужную насадку.
2. Отпустите отпирающую кнопку **3**, чтобы зафиксировать насадку на месте.
3. Крепко потяните за насадку, чтобы убедиться, что она зафиксирована на месте.

Типы насадок	Подходящее применение
Регулируемая насадка	Для бережной чистки с широким углом
Насадка Турбо	Для устранения стойких загрязнений

ПРИМЕЧАНИЕ. Насадка Турбо **22** предназначена для очистки бетона и кирпичной кладки. Не рекомендуется использовать данную насадку для очистки автомобилей — возможно повреждение поверхности.

Переключение формы распыления регулируемой насадки (рис. J)

Угол струи, выходящей из насадки, можно регулировать вращением насадки. Так можно менять форму распыления от узкой с сильным напором струи примерно 0° до веерной струи шириной 60°.

- Узкая компактная струя распределяет воздействие воды на конкретном небольшом участке, что приводит к высокой силе удара по очищаемой поверхности. Используйте узкую компактную струю для глубокой очистки небольшого участка. Однако используйте ее осторожно, так как она может повредить некоторые поверхности.
- Широкое веерное распыление распределяет воздействие воды на большую площадь, что обеспечивает превосходное очищающее действие и снижает риск повреждения поверхности. Большие поверхности можно очищать быстрее, используя широкое веерное распыление.

Установка самовсасывающего шланга (рис. A, K)

Самовсасывающий шланг используется для забора пресной воды из ведра или другой емкости.

ПРИМЕЧАНИЕ. Запрещается использовать шланг для всасывания мыла, химических веществ, грязных или едких жидкостей наподобие жидкостей для мытья

окон, подкормки, удобрений или отбеливателя.
Запрещается использование с соленой водой.

ПРИМЕЧАНИЕ. Избегайте свинчивания не по резьбе при установке самовсасывающего шланга **28**. Свинчивание не по резьбе приведет к возникновению утечек.

1. Чтобы соединить самовсасывающий шланг **28** с мойкой высокого давления **8**, навинтите муфту **31** всасывающего шланга на водозабор **17**.
 2. Надежно затяните муфту всасывающего шланга **31** вручную.
- ПРИМЕЧАНИЕ.** Всегда отсоединяйте всасывающий шланг после использования.
3. Поместите конец всасывающего шланга с установленным фильтром **30** в емкость с пресной водой или в другой ее источник.
 4. Отрегулируйте шаровой поплавок **29** на всасывающем шланге так, чтобы фильтр **30** был полностью погружен в жидкость.
 5. Выберите насадку правильного типа. **Установка насадок**
 6. По завершении работы, поместите всасывающий шланг в емкость с чистой водой и пропустите чистую воду сквозь систему, чтобы промыть ее.

ПРИМЕЧАНИЕ. При использовании самовсасывающего шланга может потребоваться несколько минут для прокачки мойки высокого давления. Убедитесь, что мойка высокого давления включена, а пусковой выключатель на штанге-распылителе нажат, пока прокачка не завершена.

Установка распылителя пены высокого давления (рис. L)

1. Чтобы соединить распылитель пены высокого давления **26** со штангой-распылителем **2**, нажмите на опирающую кнопку насадки **3** и вставьте пенообразователь.
2. Отпустите опирающую кнопку **3**, чтобы зафиксировать распылитель пены высокого давления **26** на месте.
3. После этого крепко потяните за распылитель пены высокого давления **26**, чтобы убедиться, что он зафиксирован на месте.

ПРИМЕЧАНИЕ. Пенообразователь должен располагаться под штангой-распылителем. Не располагайте распылитель пены высокого давления над штангой-распылителем, так это приведет к стеканию моющего средства на штангу. Наконечник распылителя пены высокого давления **26** может вращаться для работы в вертикальном или горизонтальном положении.

ЭКСПЛУАТАЦИЯ

Инструкции по использованию



ВНИМАНИЕ: Всегда следуйте указаниям действующих норм и правил безопасности.



ВНИМАНИЕ: Чтобы снизить риск получения серьезной травмы, необходимо выключить инструмент и отсоединить батарею, прежде чем выполнять какую-либо регулировку либо удалять/устанавливать какие-либо насадки или дополнительные принадлежности.

Случайный запуск может привести к травме.

Установка и извлечение аккумуляторных батарей (рис. M, N)

Данная мойка высокого давления работает от двух аккумуляторных батарей одинаковой емкости. Мойка не может работать от одной аккумуляторной батареи, а в случае использования аккумуляторных батарей разной емкости мойка остановится при разрядке батареи с меньшей емкостью.

ПРИМЕЧАНИЕ. Для получения наилучших результатов перед использованием убедитесь, что аккумуляторные батареи полностью заряжены.

Установка аккумуляторных батарей



ОСТОРОЖНО! Перед установкой аккумуляторных батарей убедитесь, что переключатель скоростей находится в центральной позиции «Выкл.».



ВНИМАНИЕ! Мойка отключается при открытии крышки батарейного отсека. Если переключатель скоростей находится в положении «Н1» или «L0», мойка включится при закрытии крышки батарейного отсека.



ВНИМАНИЕ! Не удерживайте пусковой выключатель при закрытии крышки батарейного отсека.

1. Разблокируйте крышку батарейного отсека **20**, повернув защелку крышки батарейного отсека **21** против часовой стрелки и откройте крышку, чтобы получить доступ к батарейному отсеку.
 2. Совместите аккумуляторные батареи **35** с направляющими внутри батарейного отсека и вдвиньте их в отсек таким образом, чтобы они зафиксировались в инструменте и не выпадали.
 3. Заблокируйте крышку батарейного отсека **20**, закрыв крышку **20** так, чтобы она плотно прилегала к мойке высокого давления **8**.
 4. Поверните защелку крышки батарейного отсека **21** по часовой стрелке, чтобы заблокировать крышку батарейного отсека. Перед запуском инструмента убедитесь, что крышка батарейного отсека плотно закрыта на защелку.
- ПРИМЕЧАНИЕ.** Мойка не будет работать, если крышка батарейного отсека не полностью закрыта на защелку.

Извлечение аккумуляторных батарей

1. Поверните защелку крышки батарейного отсека **21** против часовой стрелки и откройте крышку, чтобы получить доступ к аккумуляторным батареям **35**.
2. Нажмите на опирающие кнопки **36** на батареях **35**, крепко потяните аккумуляторные батареи и извлеките их из инструмента.

3. Вставьте аккумуляторные батареи в зарядное устройство, как указано в разделе данного руководства, посвященном зарядному устройству.
4. Закройте крышку батарейного отсека **20** так, чтобы она плотно прилегала к мойке высокого давления **8** и заблокируйте ее. Убедитесь, что крышка закрыта на защелку.

Датчик уровня заряда аккумуляторной батареи (рис. В)

Некоторые аккумуляторные батареи Аккумуляторные батареи DEWALT оснащены датчиком заряда, который представляет собой три зеленых светодиодных индикатора, показывающих уровень оставшегося заряда аккумуляторной батареи.

Для включения датчика заряда, нажмите и удерживайте кнопку датчика **43**. Загорятся три зеленых светодиода, которые показывают уровень оставшегося заряда. Когда уровень заряда аккумуляторной батареи упадет ниже эксплуатационного предела, датчик погаснет и батарее нужно будет зарядить.

ПРИМЕЧАНИЕ. Датчик заряда аккумуляторной батареи показывает уровень оставшегося заряда. Он не является индикатором работоспособности инструмента и его показания могут меняться в зависимости от компонентов продукта, температуры и области применения.

Правильное положение рук (рис. 0)



ОСТОРОЖНО! Для уменьшения риска получения тяжелой травмы **ВСЕГДА** правильно удерживайте инструмент, как показано на рисунке.



ОСТОРОЖНО! Во избежание серьезных травм **ВСЕГДА** крепко держите инструмент, предупреждая внезапную резкую отдачу.

При правильном расположении рук одна рука находится на рукоятке пистолета-распылителя **5**, а другая на пистолете-распылителе **4**.

Правильное положение мойки высокого давления (рис. А)



ВНИМАНИЕ! Перед работой:

Всегда ставьте мойку ножами **16** и колесами **15** на землю, как показано на рис. А.

ПРИМЕЧАНИЕ. Никогда не пытайтесь использовать мойку высокого давления в вертикальном положении, положенной набок или в перевернутом положении.

Переключатель скоростей (рис. А, Р)

Данная мойка высокого давления позволяет работать с высоким давлением или низким давлением для более деликатных работ, а также увеличивать мощность для более эффективной очистки.

Переключатель скоростей **9** переключается между тремя положениями;

- Выкл., центральное.
- «Н», правая сторона.

- «ЛО», левая сторона.

Чтобы включить мойку высокого давления, переместите переключатель скоростей **9** в правое или левое положение. Чтобы выключить мойку высокого давления, переместите переключатель скоростей **9** в центральное положение.

Для очистки с высоким давлением, переместите переключатель скоростей **9** направо в положение «Н». Этот режим лучше всего подходит для работ, при которых требуется более высокое давление.

Для очистки с низким давлением, переместите переключатель скоростей **9** налево в положение «ЛО». Данный режим прекрасно подходит для участков, требующих аккуратную очистку. Также этот режим обеспечивает длительное время работы.

ПРИМЕЧАНИЕ. В режиме «Н» рабочее время мойки высокого давления будет короче по сравнению с режимом «ЛО».

Для включения режима увеличения мощности нажмите кнопку увеличения мощности **19** — при этом загорится зеленый светодиод. Этот режим лучше всего подходит для работ, при которых требуется максимальное давление. **ПРИМЕЧАНИЕ.** Режим увеличения мощности работает в течение десяти минут. Чтобы выключить режим увеличения мощности до истечения десяти минут нажмите на кнопку **19** еще раз. При этом инструмент перейдет в режим, в котором находится переключатель скоростей **9**. Когда до истечения десяти минут осталось немного времени зеленый светодиод начнет мигать, а после истечения времени работы увеличения мощности инструмент перейдет в режим, в котором находится переключатель скоростей **9**.

ПРИМЕЧАНИЕ. После использования режима увеличения мощности полные десять минут его можно включить еще раз нажатием на кнопку увеличения мощности **19**.

ПРИМЕЧАНИЕ. Использование режима увеличения мощности сократит рабочее время.

Мойка под давлением (рис. А–Р)



ОСТОРОЖНО! Для снижения риска получения тяжелых травм **выключайте инструмент и извлекайте аккумуляторную батарею перед проведением любых действий по регулировке или установке/снятию дополнительных принадлежностей или насадок.** Случайный запуск может стать причиной травм.

Подготовка поверхностей к чистке

- Уберите из рабочей зоны предметы, которые могут создать опасность, например, детские игрушки или садовую мебель.
- Убедитесь, что все двери и окна плотно закрыты. Укройте все растения и деревья в близости защитной пленкой, чтобы не повредить их струей.
- Сполосните поверхность пресной водой.
- Используйте только моющие средства, предназначенные для использования с мойками высокого давления.
- Всегда тестируйте моющее средство на незаметном участке перед использованием.

Подготовка мойки высокого давления к эксплуатации



ОПАСНО! Риск впрыска жидкости под кожу и порезов. При использовании высокого давления, НЕ ДОПУСКАЙТЕ контакта струи под высоким давлением с незащищенной кожей или глазами, а также с животными. Это приведет к тяжелым травмам.



ВНИМАНИЕ! Перед работой:

1. Подсоедините шланг высокого давления к мойке высокого давления и штанге-распылителю. Инструкции по подсоединению шланга высокого давления к мойке высокого давления и штанге-распылителю см. в подразделе «Установка шланга высокого давления» в разделе «Сборка и регулировка».
2. Подключите мойку высокого давления к водоснабжению. Инструкции по подключению подачи воды к мойке высокого давления см. в подразделе «Установка садового шланга» в разделе «Сборка и регулировка».
3. Установите две аккумуляторные батареи **35**. Закройте и заблокируйте крышку батарейного отсека **20**. Убедитесь, что крышка плотно закрыта, как описано в подразделе «Установка аккумуляторных батарей» в разделе «Установка и извлечение аккумуляторных батарей».

Подготовка штанги-распылителя (рис. А, F)

ВАЖНО! Перед включением мойки высокого давления снимите блокировку пускового выключателя **6** и нажмите на пусковой выключатель **7**.

1. Перед началом использования штанги-распылитель должна быть собрана. См. подраздел «Сборка штанги-распылителя» в разделе «Сборка и регулировка».
2. Снимите блокировку пускового выключателя **6**.
3. Включите подачу воды.
4. Нажмите на пусковой выключатель **7**. Удерживайте пусковой выключатель нажатым в течение 30 секунд, чтобы удалить из системы воздух.
5. Если в водяной струе по-прежнему присутствует воздух, продолжайте пропускать воду через штангу-распылитель.

Чистка поверхности (рис. P)

1. Чтобы включить мойку высокого давления, переместите переключатель скоростей **9** в положение «Н!» или «LO».
2. Оптимальный угол струи воды к омываемой поверхности составляет 45 °.
 - Направление струи под прямым углом приводит к вдавливанию частиц грязи в поверхность.
 - При работе с вертикальными поверхностями, моющее средство лучше наносить снизу вверх, что не даст моющему средству стекать вниз и оставлять разводы.
3. Чтобы выключить пистолет-распылитель, отпустите пусковой выключатель.

Перемещение мойки высокого давления (рис. А–D)

1. Выключите мойку высокого давления **8**, переместив переключатель скоростей **9** в центральное положение. Затем выключите подачу воды.
2. Направьте штангу-распылитель **2** в безопасном направлении и нажмите на пусковой выключатель **7**, чтобы сбросить оставшееся давление воды.
3. Когда штанга-распылитель полностью опустошена, вытяните выдвижную рукоятку **12** и перемещайте мойку высокого давления на колесах **15** к следующему месту выполнения работ.

Выключение (рис. А, Н, I, N, P)

1. Выключите мойку высокого давления **8**, переместив переключатель скоростей **9** в центральное положение. Затем выключите подачу воды и извлеките аккумуляторные батареи из мойки высокого давления **8**.
2. Сбросьте остаточное давление, нажимая на пусковой выключатель **7** до тех пор, пока из штанги-распылителя **2** не перестанет вытекать вода.
3. Задействуйте блокировку пускового выключателя **6**.
4. Отсоедините садовый шланг от водозабора **17**.
5. Отсоедините шланг высокого давления **1** от выпускного отверстия для воды под высоким давлением **18** и сливного шланга.

Чистка насадки (рис. А, Q)



ОСТОРОЖНО! Для снижения риска получения тяжелых травм выключайте инструмент и извлекайте аккумуляторную батарею перед проведением любых действий по регулировке или установке/снятию дополнительных принадлежностей или насадок. Случайный запуск может стать причиной травм.

Засорение насадки посторонними веществами, например, грязью, может привести к возникновению избыточного давления. Если насадка частично засорена или закрыта, то давление насоса будет пульсировать. Немедленно прочистите насадку, используя иглу для чистки насадок.

1. Выключите мойку высокого давления **8**, переместив переключатель скоростей **9** в центральное положение.
2. Выключите подачу воды и извлеките аккумуляторные батареи из мойки высокого давления **8**.
3. Нажмите на пусковой выключатель **7** на пистолете-распылителя **4**, чтобы сбросить остаточное давление воды.
4. Снимите насадку со штанги-распылителя **2**, нажав на отпирющую кнопку насадки **3** на штанге-распылителе и вытянув насадку.
5. При помощи иглы для чистки насадки **27** прочистите насадку от скопившегося мусора.
6. Пропустите воду из водопроводного крана или садового шланга через насадку.

Всасывающий шланг (рис. К)

1. Чтобы очистить всасывающий шланг **28**, сначала выключите мойку высокого давления.
2. Нажмите пусковой выключатель, чтобы сбросить остаточное давление воды.
3. Отсоедините всасывающий шланг **28** от мойки высокого давления.
4. Чтобы очистить всасывающий шланг, тщательно промойте его садовым шлангом и дайте ему полностью высохнуть.

Фильтр всасывающего шланга (рис. R)

1. Поверните фильтр **30** на конце всасывающего шланга **28** против часовой стрелки и снимите его.
2. Извлеките сетку из фильтра.
3. Промойте все детали чистой водой и соберите их.

ТЕХНИЧЕСКОЕ ОБСЛУЖИВАНИЕ

Электроинструмент имеет длительный срок эксплуатации и требует минимальных затрат на техобслуживание. Для длительной безотказной работы необходимо обеспечить правильный уход за инструментом и его регулярную очистку.



ВНИМАНИЕ: Чтобы снизить риск получения серьезной травмы, необходимо выключить инструмент и отсоединить батарею, прежде чем выполнять какую-либо регулировку либо удалять/устанавливать какие-либо насадки или дополнительные принадлежности.

Случайный запуск может привести к травме.

Зарядное устройство и аккумуляторные батареи не ремонтопригодны.

Смазка

Ваш электроинструмент не требует дополнительной смазки.

Чистка



ОСТОРОЖНО! Опасность поражения электрическим током и механического повреждения. Перед чистой отсоедините электроприбор от источника питания.



ОСТОРОЖНО! Для обеспечения безопасной и эффективной работы электроинструмента всегда содержите его и вентиляционные отверстия в чистоте.



ОСТОРОЖНО! Никогда не пользуйтесь растворителями или другими сильнодействующими химическими веществами для чистки неметаллических частей инструмента. Химические вещества воздействуют на материалы, используемые в деталях. Для чистки пользуйтесь тканью, смоченной мягким мыльным раствором. Не допускайте попадания жидкости внутрь инструмента; никогда не погружайте какие-либо из деталей инструмента в жидкость.

Вентиляционные отверстия можно очищать сухой мягкой неметаллической щеткой и/или подходящим пылесосом.

Не используйте воду или чистящие растворы. Носите разрешенные средства защиты глаз и пылезащитную маску.

Хранение (рис. А, Е, S)

- Храните в сухом, закрытом месте с температурой выше точки замерзания, с извлеченными аккумуляторными батареями. ХРАНИТЬ В ПОМЕЩЕНИИ.
- Всегда полностью сливайте воду из шланга высокого давления, мойки высокого давления, насадок и штанги-распылителя.
- Насадки можно хранить в гнездах насадок в отсеке для хранения **41**, как показано на рис. А, Е и рис. S.
- Шланг высокого давления и всасывающий шланг можно хранить свернутыми и закрепленными между защитным каркасом и мойкой высокого давления **8**, как показано на рис. А.
- Штангу-распылитель можно разобрать на три части и хранить в отсеке для хранения **41**, как показано на рис. А, Е и рис. S.
- Распылитель пены высокого давления **26** можно опустошить и хранить во встроенном в мойку отсеке для хранения, как показано на рис. А.

Дополнительные принадлежности



ВНИМАНИЕ: Поскольку принадлежности, отличные от тех, которые предлагает DEWALT, не проходили тесты на данном изделии, то использование этих принадлежностей может привести к опасной ситуации. Во избежание риска получения травмы, с данным продуктом должны использоваться только рекомендованные DEWALT дополнительные принадлежности.

По вопросу приобретения дополнительных принадлежностей обращайтесь к Вашему дилеру.

Защита окружающей среды



Отдельная утилизация. Изделия и аккумуляторные батареи с данным символом на маркировке запрещается утилизировать с обычными бытовыми отходами.

Изделия и аккумуляторные батареи содержат материалы, которые могут быть извлечены или переработаны, снижая потребность в исходном сырье. Пожалуйста, утилизируйте электрические изделия и аккумуляторные батареи в соответствии с местными нормами. Дополнительная информация доступна по адресу www.2helpU.com.

Аккумуляторная батарея

Данную аккумуляторную батарею с длительным сроком эксплуатации необходимо перезаряжать, когда она перестает обеспечивать питание, необходимое для выполнения определенных работ. По окончании срока эксплуатации ее следует утилизировать, соблюдая при этом необходимые меры по защите окружающей среды:

- полностью разрядите батарею до конца и извлеките ее из инструмента.

- литий-ионные аккумуляторные батареи подлежат вторичной переработке. Сдайте их нашему дилеру или в местный центр вторичной переработки. В этих пунктах батареи будут подвергнуты повторной переработке или правильной утилизации.

ВОЗМОЖНЫЕ НЕИСПРАВНОСТИ И СПОСОБЫ ИХ УСТРАНЕНИЯ



ОСТОРОЖНО! Риск небезопасной эксплуатации. Перед обслуживанием инструмента отсоедините вилку или отсоедините электропитание, отключите подачу воды, сбросьте остаточное давление и заблокируйте пусковой выключатель пистолета-распылителя.

НЕИСПРАВНОСТЬ	ПРИЧИНА	СПОСОБ УСТРАНЕНИЯ
Двигатель не запускается.	Аккумуляторные батареи установлены неправильно.	Проверьте правильность установки аккумуляторной батареи.
	Аккумуляторные батареи не заряжены.	Проверьте требования по зарядке аккумуляторной батареи.
	Переключатель скоростей находится в положении «ВЫКЛ.».	Переместите выключатель в положение «I» или «D».
	Не нажат пусковой выключатель штанги-распылителя.	Нажмите на пусковой выключатель при переключателе в положении «ВКЛ.».
	Крышка батарейного отсека не зафиксирована.	Полностью закройте крышку батарейного отсека и убедитесь, что замок крышки в положении блокировки.
Инструмент не достигает высокого давления.	Кран с водой открыт не полностью.	Полностью откройте водный клапан.
	Засорен входной фильтр для воды.	Извлеките фильтр и сполосните его, чтобы прочистить.
	Изношена насадка.	Замените на новую насадку.
	Насос закачивает воздух.	Убедитесь, что шланги и соединения туго затянуты. Выключите инструмент и прочистите насос, нажимая на пусковой выключатель до тех пор, пока из насадки не пойдет постоянный поток воды.
Давление на выходе меняется с высокого на низкое.	Ограничена подача воды.	Проверьте водный шланг на наличие перегибов, протечек и заужений.
	Недостаточная подача воды на входе.	Включите воду на полную мощность — проверьте шланг на наличие протечек и перегибов.
	Насос закачивает воздух.	Убедитесь, что шланги и соединения туго затянуты. Выключите инструмент и прочистите насос, нажимая на пусковой выключатель до тех пор, пока из насадки не пойдет постоянный поток воды.
Нет моющего средства.	Засорилась сетка на входе воды.	Чтобы прочистить, промойте ее водой.
	Засорена выпускная насадка.	Продуйте или удалите мусор.
	Пенообразователь пуст.	Добавьте больше моющего средства.
	Пенообразователь не подключен надлежащим образом.	Проверьте соединения. Убедитесь, что пенообразователь хорошо закреплен на штанге-распылителе.
	Моющее средство слишком густое.	Используйте моющее средство, рекомендованное для использования только в мойках высокого давления. Следуйте указаниям производителя по разбавлению.
Соединение садового шланга протекает.	Повреждены или засорены всасывающие отверстия моющего средства.	Удалите препятствие или мусор и промойте всасывающие отверстия моющего средства теплой водой.
	Засорена выпускная насадка.	Продуйте или удалите мусор. Пропустите теплую воду через насадку, чтобы удалить мусор
	Ручка регулирования расхода закрыта.	Отрегулируйте ручку регулирования расхода на верхней части распылителя пены высокого давления.
	Ослаблены соединения.	Затяните соединения.
Самовсасывание шланга не работает должным образом.	Отсутствует/изношена резиновая шайба.	Замените шайбу в переходнике шланга.
	Ослаблены соединения.	Затяните соединения.
	Фильтр не полностью погружен.	Отрегулируйте поплавок и убедитесь, что фильтр полностью погружен в жидкость.
Штанга-распылитель или удлинительная штанга протекает.	Дайте насосу дополнительное время для прокачки.	Первая прокачка может занять несколько минут. Убедитесь, что инструмент включен, а пусковой выключатель нажат.
	Штанга-распылитель неправильно закреплена.	См. подраздел «Сборка штанги-распылителя» в разделе «Сборка и регулировка».
Насос работает слишком шумно.	Сломано уплотнительное кольцо.	Свяжитесь с представителем службы поддержки клиентов DeWALT по телефону 1-800-4-DeWALT (1-800-433-9258).
	Насос закачивает воздух.	Убедитесь, что шланги и соединения туго затянуты. Выключите инструмент и прочистите насос, нажимая на пусковой выключатель до тех пор, пока из насадки не пойдет постоянный поток воды.
Протекает вода из насоса.	Ослаблены соединения.	Убедитесь, что все соединения затянуты.
	Водяные уплотнения повреждены или изношены.	Свяжитесь с представителем службы поддержки клиентов DeWALT по телефону 1-800-4-DeWALT (1-800-433-9258).
Протекает масло.	Масляные уплотнения повреждены или изношены.	Свяжитесь с представителем службы поддержки клиентов DeWALT по телефону 1-800-4-DeWALT (1-800-433-9258).
	Двигатель гудит, но не запускается.	Выключите инструмент, нажмите на пусковой выключатель на штанге-распылителе, чтобы сбросить давление, затем включите инструмент.
Мойка высокого давления не использовалась в течение длительного времени.	В системе присутствует остаточное давление.	Выключите инструмент, нажмите на пусковой выключатель на штанге-распылителе, чтобы сбросить давление, затем включите инструмент.
	Мойка высокого давления не использовалась в течение длительного времени.	Свяжитесь с представителем службы поддержки клиентов DeWALT по телефону 1-800-4-DeWALT (1-800-433-9258).



Приложение к руководству по эксплуатации электрооборудования для определения месяца производства по номеру текущей календарной недели года

Электрооборудование торговых марок "Dewalt", "Stanley", "Stanley FatMAX", "BLACK+DECKER".

Директивы 2014/30/EU ЕВРОПЕЙСКОГО ПАРЛАМЕНТА И СОВЕТА от 26 февраля 2014 г. "О гармонизации законодательства Государств-членов ЕС в области электромагнитной совместимости", 2006/42/ЕС ЕВРОПЕЙСКОГО ПАРЛАМЕНТА И СОВЕТА от 17 мая 2006 г. "О машинах и оборудовании"; 2014/35/EU ЕВРОПЕЙСКОГО ПАРЛАМЕНТА И СОВЕТА от 26 февраля 2014 г. "О гармонизации законодательства государств-членов в области размещения на рынке электрооборудования, предназначенного для использования в определенных пределах напряжения". Серийный выпуск.

ТОВАР СЕРТИФИЦИРОВАН

Орган по сертификации "РОСТЕСТ- Москва", Адрес: 119049, г. Москва, улица Житная, д. 14, стр. 1; 117418, Москва, Нахимовский просп., 31 (фактический), Телефон: (499) 1292311, (495) 6682893, Факс: (495) 6682893, E-mail: office@rostest.ru
 Изготовитель: Изготовитель: Блэк энд Деккер Холдингс ГмбХ, Германия, 65510, Идштайн, ул. Блэк энд Деккер, 40, тел. +496126212790.

Уполномоченное изготовителем юр.лицо:

ООО "Стэчли Блэк энд Деккер", 117485, город Москва, улица Обручева, дом 30/1, строение 2
 Телефон: + 7 (495) 258-3981, факс: + 7 (495) 258-3984, E-mail: inbox@dewalt.com
 Сведения о импортере указаны в сопроводительной документации и/или на упаковке

Хранение.

Необходимо хранить в сухом месте, вдали от источников повышенных температур и воздействия солнечных лучей. При хранении необходимо избегать резкого перепада температур. Хранение без упаковки не допускается

Срок службы.

Срок службы изделия составляет 5 лет. Не рекомендуется к эксплуатации по истечении 5 лет хранения с даты изготовления без предварительной проверки.

Дата изготовления (код даты) указана на корпусе инструмента. Код даты, который также включает год изготовления, отштампован на поверхности корпуса изделия.

Пример:

2014 46 XX, где 2014 –год изготовления, 46–неделя изготовления. Определить месяц изготовления по указанной неделе изготовления можно согласно приведенной ниже таблице.

Транспортировка.

Категорически не допускается падение и любые механические воздействия на упаковку при транспортировке. При разгрузке/погрузке не допускается использование любого вида техники, работающей по принципу зажима упаковки.

Перечень критических отказов, возможные ошибочные действия персонала.

Не допускается эксплуатация изделия:

- При появлении дыма из корпуса изделия
- При поврежденном и/или оголенном сетевом кабеле
- при повреждении корпуса изделия, защитного кожуха, рукоятки
- при попадании жидкости в корпус
- при возникновении сильной вибрации
- при возникновении сильного искрения внутри корпуса

Критерии предельных состояний.

- При поврежденном и/или оголенном сетевом кабеле
- при повреждении корпуса изделия

Месяц	Январь	Февраль	Март	Апрель	Май	Июнь	Июль	Август	Сентябрь	Октябрь	Ноябрь	Декабрь	Год производства
Неделя	1	5	9	14	18	23	27	31	36	40	44	49	2018
	2	6	10	15	19	24	28	32	37	41	45	50	
	3	7	11	16	20	25	29	33	38	42	46	51	
	4	8	12	17	21	26	30	34	39	43	47	52	
			13		22			35			48		
Неделя	1	6	10	14	18	23	27	31	36	40	45	49	2019
	2	7	11	15	19	24	28	32	37	41	46	50	
	3	8	12	16	20	25	29	33	38	42	47	51	
	4	9	13	17	21	26	30	34	39	43	48	52	
	5				22			35		44			
Неделя	1	6	10	14	19	23	27	32	36	40	45	49	2020
	2	7	11	15	20	24	28	33	37	41	46	50	
	3	8	12	16	21	25	29	34	38	42	47	51	
	4	9	13	17	22	26	30	35	39	43	48	52	
	5				18		31			44			
Неделя	2	6	10	14	19	23	27	32	36	41	45	49	2021
	3	7	11	15	20	24	28	33	37	42	46	50	
	4	8	12	16	21	25	29	34	38	43	47	51	
	5	9	13	17	22	26	30	35	39	44	48	52	
					18		31		40			1	
Неделя	2	6	10	15	19	23	28	32	36	41	45	49	2022
	3	7	11	16	20	24	29	33	37	42	46	50	
	4	8	12	17	21	25	30	34	38	43	47	51	
	5	9	13	18	22	26	31	35	39	44	48	52	
				14		27			40			1	

DEWALT**ГАРАНТИЙНЫЙ ТАЛОН****3 ГОДА ГАРАНТИИ**

1. Поздравляем Вас с покупкой высококачественного изделия DEWALT и выражаем признательность за Ваш выбор.
2. При покупке изделия требуйте проверки его комплектности и исправности в Вашем присутствии, инструкцию по эксплуатации и заполненный Гарантийный талон на русском языке. В гарантийном талоне должны быть внесены: модель, дата продажи, серийный номер, дата производства инструмента; а также название, печать и подпись торговой организации. При отсутствии у Вас правильно заполненного Гарантийного талона, а также несоответствия указанных в нем данных, мы будем вынуждены отклонить Ваши претензии по качеству данного изделия.
3. Во избежание недоразумений, убедительно просим Вас перед началом работы с изделием внимательно ознакомиться с инструкцией по его эксплуатации. Правовой основой настоящих гарантийных условий является действующее Законодательство. Гарантийный срок на данное изделие составляет 36 месяцев и исчисляется со дня продажи. В случае устранения недостатков изделия, гарантийный срок продлевается на период его нахождения в ремонте. Срок службы изделия составляет 5 лет со дня продажи.
4. В случае возникновения каких-либо проблем в процессе эксплуатации изделия рекомендуем Вам обращаться только в уполномоченные сервисные центры DEWALT, адреса и телефоны которых Вы сможете найти на сайте www.2helpU.com или узнать в магазине. Наши сервисные станции - это не только квалифицированный ремонт, но и широкий ассортимент запчастей и принадлежностей.
5. Производитель рекомендует проводить периодическую проверку и техническое обслуживание изделия в уполномоченных сервисных центрах.
6. Наши гарантийные обязательства распространяются только на неисправности, выявленные в течение гарантийного срока и вызванные дефектами производства и / или материалов.
7. Гарантийные условия не распространяются на неисправности изделия, возникшие в результате:
 - 7.1. Несоблюдения пользователем предписаний инструкции по эксплуатации изделия, применения изделия не по назначению, неправильном хранении, использования принадлежностей, расходных материалов и запчастей, не предусмотренных производителем.
 - 7.2. Механического повреждения (сколы, трещины и разрушения) внутренних и внешних деталей изделия, основных и вспомогательных рукояток, сетевого электрического кабеля, вызванного внешним ударным или любым иным воздействием.
 - 7.3. Попадания в вентиляционные отверстия и проникновение внутрь изделия посторонних предметов, материалов или веществ, не являющихся отходами, сопровождающими применение изделия по назначению, такими как: стружка, опилки, песок, и пр.
 - 7.4. Воздействия на изделие неблагоприятных атмосферных и иных внешних факторов, таких как дождь, снег, повышенная влажность, нагрев, агрессивные среды, несоответствие параметров питающей электросети, указанных на инструменте.
 - 7.5. Стихийного бедствия. Повреждение или утрата изделия, связанное с непредвиденными бедствиями, стихийными явлениями, в том числе вследствие действия непреодолимой силы (пожар, молния, потоп и другие природные явления), а также вследствие перепадов напряжения в электросети и других причин, которые находятся вне контроля производителя.
8. Гарантийные условия не распространяются:
 - 8.1. На инструменты, подвергавшиеся вскрытию, ремонту или модификации вне уполномоченного сервисного центра.
 - 8.2. На детали и узлы, имеющие следы естественного износа, такие как: приводные ремни и колеса, угольные щетки, смазка, подшипники, зубчатое зацепление редукторов, резиновые уплотнения, сальники, направляющие ролики, муфты сцепления, бойки, толкатели, стволы, и т.п.
 - 8.3. На сменные и расходные части: цанги, зажимные гайки и фланцы, фильтры, ножи, шлифовальные подошвы, цепи, звездочки, пильные шины, защитные кожухи, пилки, абразивы, пильные и абразивные диски, фрезы, сверла, буры и т.п.
 - 8.4. На неисправности, возникшие в результате перегрузки инструмента (как механической, так и электрической), повлекшей выход из строя одновременно двух и более деталей и узлов, таких как ротора и статора, обеих обмоток статора, ведомой и ведущей шестерни редуктора или других узлов и деталей. К безусловным признакам перегрузки изделия относятся, помимо прочего: появление цветов побежалости, деформация или оплавление деталей и узлов изделия, потемнение или обугливание изоляции проводов электродвигателя под воздействием высокой температуры.

Товар получен в исправном состоянии, без видимых повреждений, в полной комплектации, проверен в моем присутствии, претензий по качеству товара не имею. С условиями гарантийного обслуживания ознакомлен и согласен.

Ф. И. О. и подпись покупателя _____

Уважаемые клиенты, наша сеть авторизованных сервисных центров постоянно расширяется. Актуальную информацию об обслуживании в интересующем вас городе вы можете узнать на сайте

www.2helpU.com

Редакция 29-05-2018

Информация об инструменте

Наименование инструмента	
Модель	
Наименование продавца	
Дата продажи	

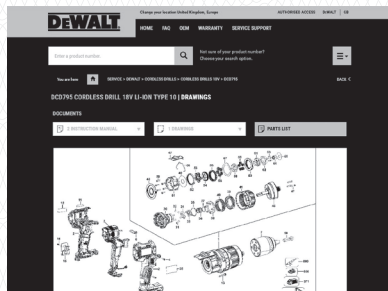
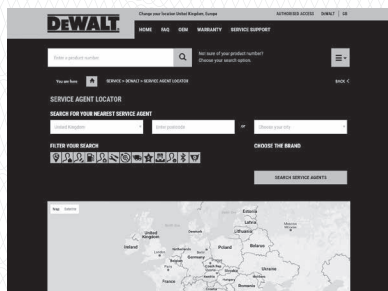
М.П.
Продавца

Серийный номер / Дата производства

Инструмент	
Зарядное устройство	
Аккумулятор 1	
Аккумулятор 2	

На сайте www.2helpU.com доступны следующие функции:

- Список авторизованных сервисных центров
- Удобный поиск ближайшего сервисного центра
- Руководство по эксплуатации
- Технические характеристики
- Список деталей и запасных частей
- Схема сборки инструмента



**Также данную информацию вы можете получить, позвонив по телефону:
8(800) 1000 876**

ОТМЕТКА О ПРОВЕДЕНИИ СЕРВИСНОГО ОБСЛУЖИВАНИЯ

№1	№2	№3	№4
№ заказа	№ заказа	№ заказа	№ заказа
Дата поступления	Дата поступления	Дата поступления	Дата поступления
Дата ремонта	Дата ремонта	Дата ремонта	Дата ремонта
Печать и подпись сервисного центра	Печать и подпись сервисного центра	Печать и подпись сервисного центра	Печать и подпись сервисного центра

АКУМУЛЯТОРНА МИЙКА ВИСОКОГО ТИСКУ

DCMPW1600

Вітаємо вас!

Ви обрали інструмент виробництва компанії DeWALT. Ретельна розробка продукції, багаторічний досвід фірми у виробництві інструментів, різні вдосконалення, все це зробило інструменти DeWALT одними із найнадійніших помічників для тих, хто використовує електричні інструменти у своїй професії.

Технічні дані

DCMPW1600	
Вхідна напруга	2 x 18 В _{пост. струму}
Тип акумулятора	Літій-іонний
Тип	1
Номинальна швидкість потоку води	4,5 л/хв.
Максимальна швидкість потоку води	5,5 л/хв.
Номинальний тиск	110 бар / 1600 фунтів на кв. дюйм / 11 МПа
Максимальний тиск	165 бар / 2390 фунтів на кв. дюйм / 16,5 МПа
Максимальна температура на вході	50 °C
Максимальний тиск на вході	1 МПа (10 бар)
Сила віддачі пістолета при макс. Тиску	21 Н
Захист двигуна	IPX5
Вхідна вода	Холодна чиста вода
Маса	10,9 кг
Значення рівня шуму та/або вібрації (тривісна векторна сума) відповідно до стандарту EN60335-2-79	

Дані з тестування шуму та вібрації:

Рівень тиску звукового випромінювання L_{pA} : 79,0 дБ(A);

$K=3,0$ дБ(A)

Вимірний рівень звукової потужності: L_{WA} : 93,0 дБ(A);

$K=4,3$ дБ(A)

Значення вібрації a_h : менше 2,5 м/с²; $K=0,5$ м/с²

Значення вібрації та/або шуму, наведене в цьому документі, було виміряне згідно зі стандартизованим тестом, викладеним в EN та може використовуватись для порівняння інструментів. Це значення вібрації можна також використовувати для попередньої оцінки впливу вібрації.

⚠ ПОПЕРЕДЖЕННЯ: Заявлене значення вібрації та/або шуму відповідає вимогам цільового використання інструмента. Однак якщо інструмент використовується для виконання інших завдань, або з іншими витратними матеріалами/насадками, або не обслуговується належним чином, значення вібрації та/або шуму може відрізнятись. Це може

значно збільшити рівень впливу протягом усього періоду роботи.

Оцінка рівня впливу вібрації та/або шуму має враховувати час, протягом якого інструмент є вмикненим, а також час, протягом якого він є ввімкненим, але не використовується. Це може значно зменшити рівень впливу протягом усього періоду роботи.

Визначення додаткових заходів безпеки для захисту оператора від впливу вібрації та/або шуму: технічне обслуговування інструмента та приладдя, утримання рук у теплі (має значення для вібрації), організація режиму роботи.

Декларація про відповідність ЄС

Директива для механічного обладнання



АКУМУЛЯТОРНА МИЙКА ВИСОКОГО ТИСКУ DCMPW1600

DeWALT заявляє, що вироби, описані в розділі **Технічні дані**, відповідають наступним вимогам:

2006/42/EC, EN 60335-1:2012+A11:2014+A13:2017+A1:2019+A14:2019+A2:2019+A15:2021, EN60335-2-79:2012.

2000/14/EC, додаток V

L_{WA} (вимірний рівень звукової потужності) 93 дБ(A)

Похибка (K) = 4,3 дБ(A)

L_{WA} (гарантований рівень звукової потужності) 97 дБ(A).

Ці вироби також відповідають вимогам Директив 2014/30/EU та 2011/65/EU. Для отримання додаткової інформації, будь ласка, звертайтеся до компанії DeWALT за адресою, зазначеною нижче або наприкінці цього посібника.

Нижчепідписаний несе відповідальність за упорядкування файлу технічних характеристик та робить цю заяву від імені компанії DeWALT.

Маркус Ромпель (Markus Rompel)

Віце-президент з інженерно-технічного забезпечення,

PTE-Europe

DeWALT, Richard-Klinger-Straße 11,

65510, Idstein, Німеччина

04.21.2023



ПОПЕРЕДЖЕННЯ: Уважно прочитайте керівництво за експлуатації для зменшення ризику отримання травм.

Позначення: інструкції з техніки безпеки

Умовні позначення, наведені нижче, описують рівень важливості кожної попереджувальної вказівки. Прочитайте


Батареї				Зарядні пристрої/час зарядки (у хвиликах)***									
Кат. №	V _{ис}	Ah	Маса (kg)	DCB104	DCB107	DCB112/ DCB1102	DCB113	DCB115/ DCB1104	DCB116	DCB117	DCB118	DCB132	DCB119
DCB546	18/54	6,0/2,0	1,08	60	270	170	140	90	80	40	60	90	X
DCB547/G	18/54	9,0/3,0	1,46	75*	420	270	220	135*	110*	60	75*	135*	X
DCB548	18/54	12,0/4,0	1,46	120	540	350	300	180	150	80	120	180	X
DCB549	18/54	15,0/5,0	2,12	125	730	450	380	230	170	90	125	230	X
DCB181	18	1,5	0,35	22	70	45	35	22	22	22	22	22	45
DCB182	18	4,0	0,61	60/40**	185	120	100	60	60/45**	60/40**	60/40**	60	120
DCB183/B/G	18	2,0	0,40	30	90	60	50	30	30	30	30	30	60
DCB184/B/G	18	5,0	0,62	75/50**	240	150	120	75	75/60**	75/50**	75/50**	75	150
DCB185	18	1,3	0,35	22	60	40	30	22	22	22	22	22	40
DCB187	18	3,0	0,54	45	140	90	70	45	45	45	45	45	90
DCB189	18	4,0	0,54	60	185	120	100	60	60	60	60	60	120
DCBP034/G	18	1,7	0,32	27	82	50	40	27	27	27	27	27	50
DCBP518/G	18	5,0	0,75	50	240	150	120	75	60	50	50	75	150


*Код дати 201811475В або пізніше


**Код дати 201536 або пізніше

***Таблиця представлена тільки для справки; время зарядки может варьироваться.

керівництво з експлуатації та зверніть увагу на символи, наведені нижче.

 **НЕБЕЗПЕЧНО:** Вказує на безпосередню загрозу, яка, якщо її не уникнути, **приведе до смерті або серйозної травми.**

 **ПОПЕРЕДЖЕННЯ:** Вказує на потенційну загрозу, ігнорування якої **може** призвести до **смерті або серйозної травми.**


 **УВАГА:** Вказує на потенційну загрозу, ігнорування якої **може** призвести до **травми легкої або середньої тяжкості.**

ПРИМІТКА: Вказує на ситуацію, **не пов'язану з особою травмою**, ігнорування цієї ситуації **може** призвести до **пошкодження майна.**

 **ВКАЗУЄ НА РИЗИК УРАЖЕННЯ ЕЛЕКТРИЧНИМ СТРУМОМ.**


 **ВКАЗУЄ НА РИЗИК ВИНИКНЕННЯ ПОЖЕЖІ.**


ВАЖЛИВІ ІНСТРУКЦІЇ З ТЕХНІКИ БЕЗПЕКИ


 **ПОПЕРЕДЖЕННЯ.** При використанні цієї мийки високого тиску завжди слід дотримуватися основних заходів безпеки, у тому числі:

- Ця машина не призначена для використання особами (у тому числі дітьми) зі знизеними фізичними, сенсорними або розумовими можливостями або особами, яким бракує досвіду або знань.
- Уважно слідкуйте за тим, щоб діти не гралися з пристроєм.
- Перед використанням виробу прочитайте всі інструкції.
- Щоб зменшити ризик отримання травми, слід уважно стежити за використанням виробу поряд з дітьми.


- Знайте, як зупинити виріб і швидко знизити тиск. Уважно ознайомтеся з елементами керування.
- Будьте уважні – стежте за тим, що робите.
- Не використовуйте виріб у разі втоми або під впливом алкоголю чи наркотиків.
- Слідкуйте за тим, щоб у робочій зоні не було людей та тварин.
- Не намагайтесь дотягнутись до віддалених місць і не стійте на нестійкій опорі. Завжди утримуйте правильну постановку ніг і рівновагу.
- Дотримуйтесь інструкцій з технічного обслуговування, назначених у посібнику.


 **ПОПЕРЕДЖЕННЯ.** Щоб запобігти ураженню струменем розпилювача або травмуванню, не спрямовуйте струмінь розпилювача на людей або тварин.

 **ПОПЕРЕДЖЕННЯ.** Перед збиранням, використанням або встановленням виробу прочитайте цей посібник з експлуатації повністю.

 **ПОПЕРЕДЖЕННЯ.** Цей пристрій було розроблено для спеціального використання. Його не можна модифікувати та/або використовувати не за призначенням.

ПРИМІТКА. Завжди зберігайте мийку високого тиску в місці, де температура не опускається нижче 4°C (40°F). Гарантія не поширюється на пошкодження через замерзання.

 **УВАГА!** Ця машина призначена для використання із засобом для чищення, що постачається або рекомендується виробником. Використання інших засобів для чищення або хімікатів може негативно вплинути на безпеку машини.

 **ПОПЕРЕДЖЕННЯ.** Під час використання мийки високого тиску можуть утворюватися аерозолі.

Вдихання аерозолів може бути небезпечним для здоров'я.



ПОПЕРЕДЖЕННЯ. Струмені високого тиску можуть бути небезпечні при неправильному використанні. Струмінь не слід спрямовувати на людей, електрообладнання під напругою чи саму машину.



ПОПЕРЕДЖЕННЯ. Не використовуйте машину в зоні досяжності людей, якщо вони не носять захисний одяг.



ПОПЕРЕДЖЕННЯ. Не спрямовуйте струмінь на себе чи інших людей для очищення одягу чи взуття.



ПОПЕРЕДЖЕННЯ. Небезпека вибуху. Не розпоршуйте легкозаймисті рідини.



ПОПЕРЕДЖЕННЯ. Мийка високого тиску не повинна використовуватись дітьми або ненавченим персоналом.



ПОПЕРЕДЖЕННЯ. Шланги високого тиску, фітінги та муфти відіграють велике значення для безпеки машини. Використовуйте лише шланги, фітінги та муфти, рекомендовані виробником.



ПОПЕРЕДЖЕННЯ. Для безпеки машини використовуйте лише оригінальні запасні частини від виробника або схвалені виробником.



ПОПЕРЕДЖЕННЯ. Вода, що пройшла через зворотні клапани, вважається непитною.



УВАГА! Під час чищення або технічного обслуговування, а також при заміні деталей машини повинна бути відключена від джерела живлення.



ПОПЕРЕДЖЕННЯ. Не використовуйте машину, якщо пошкоджено шнур живлення або важливі частини машини, наприклад, запобіжні пристрої, шланги високого тиску, пістолет-розпилювач з курком.



ПОПЕРЕДЖЕННЯ. Залежно від сфери застосування екрановані форсунки можуть використовуватися для чищення під високим тиском, що значно знижує викид водяних аерозолів. Однак не всі сфери застосування дозволяють використовувати такий пристрій. Якщо для захисту від аерозолів не застосовуються екрановані форсунки, залежно від середовища очищення може знадобитися респираторна маска класу FFP 2 або її аналог.

Відповідно до чинних норм забороняється використовувати пристрій в мережі питної води без системного сепаратора. Використовуйте сепаратор згідно з ІЕС 61770. Вода, що проходить крізь системний сепаратор, вважається непридатною для пиття.



1. **Не торкайтесь вилки або розетки мокрими руками.**
2. **Уникайте випадкових запусків. Перед вставленням та витягуванням шнура з електричних розеток переведіть вимикач на пристрої у положення «Вимк.».**

3. **Бризки води не повинні потрапляти на електропроводку або безпосередньо на саму мийку високого тиску, інакше можливий смертельний удар струмом.**
4. **Вузкий точковий струмінь дуже потужний.** Його не рекомендується використовувати на фарбованих поверхнях, дерев'яних поверхнях або предметах з клейкою основою.
5. **Слідкуйте за тим, щоб у робочій зоні не було людей та тварин.**
6. **Під час роботи завжди тримайте мийку високого тиску обома руками, щоб забезпечити повний контроль над розпилювальною трубкою.**
7. **Не торкайтесь форсунки або розпилювача води під час роботи.** Ніколи не кладіть руки перед форсункою.
8. **Під час роботи надягайте захисні окуляри.** Одягайте захисний одяг та взуття для захисту від випадкових бризок.
9. **Витягуйте вилку з розетки, коли пристрій не використовується, а також перед від'єднанням шланга високого тиску.**
10. **Ніколи не перегинайте шланг високого тиску й не зав'язуйте на ньому вузли, оскільки це може призвести до його пошкодження.** Регулярно оглядайте шланг високого тиску. **Негайно замініть шланг, якщо він пошкоджений, зношений або має ознаки тріщин, бульбашок, проколів або інших витоків.** Ніколи не беріться за шланг високого тиску, який протікає чи пошкоджено.
11. **Не використовуйте або не зберігайте цей пристрій за температури нижче 4°C (40°F).** Гарантія не поширюється на пошкодження через замерзання.
12. **Перед використанням уважно вивчіть усі інструкції та попередження щодо застосування хімікатів.** Використовуйте лише схвалені засоби для чищення мийки високого тиску. **Не використовуйте відбілювач, хлор або будь-які засоби для чищення, що містять кислоти.** **Завжди дотримуйтесь рекомендацій виробника, зазначених на етикетці, для правильного використання засобів для чищення.** Завжди захищайте очі, шкіру та органи дихання від впливу засобів для чищення.
13. **Мийка високого тиску не повинна використовуватися в місцях, де можуть бути пари газу.** Електрична іскра може призвести до вибуху або пожежі.
14. **Щоб мінімізувати кількість води, що потрапляє в мийку високого тиску, під час роботи пристрій слід розташовувати якнайдалі від об'єкта очищення.**
15. **Для запобігання випадковому спрацюванню пістолет-розпилювач необхідно фіксувати шляхом блокування куркового перемикача, коли він не використовується.**

16. **Щоб забезпечити вільну циркуляцію повітря, НЕ слід накривати мийку високого тиску під час роботи.**
17. **Не дозволяється чіпати, хапати і намагатися закрити отвір або подібний витік води на шлангу високого тиску.** Струмінь води знаходиться під високим тиском і може потрапити на шкіру.
18. **Використовуйте тільки шланги та приладдя, розраховані на тиск вище, ніж у вашій мийки високого тиску.** Ніколи не використовуйте приладдя або компоненти інших виробників.
19. **Ніколи не порушуйте захисні функції цього пристрою.**
20. **Не використовуйте машину з відсутніми, зламаними чи недозволеними деталями.**
21. **Ніколи не розпорошуйте легкозаймисті рідини і не використовуйте мийку високого тиску в місця, що містять горючий пил, рідину або пари.**

Безпека для оточення

- Цей пристрій не призначено для використання особами (включаючи дітей) із послабленими фізичними відчуттями чи розумовими здібностями, без належного досвіду та знань, окрім випадків використання під наглядом чи за вказівками особи, яка відповідає за їх безпеку.
- Уважно слідкуйте за тим, щоб діти не гралися з пристроєм.

Вібрація

Значення вібрації, вказані в технічних даних та в декларації про відповідність, були виміряні з дотриманням стандартних методів тестування, наданих у EN60335-2-79, та можуть використовуватися для порівняння одного інструмента з іншим. Задекларовані значення вібрації можна також використовувати для попереднього оцінювання впливу вібрації.

⚠ ПОПЕРЕДЖЕННЯ. Значення вібрації під час використання мийки високого тиску може відрізнятися від задекларованого в залежності від способів використання пристрою. Фактичний рівень вібрації може перевищувати заявлений.

Під час оцінки впливу вібрації для визначення заходів безпеки, необхідних відповідно до 2002/44/ЕС для захисту осіб, які регулярно використовують електроінструменти на роботі, слід враховувати фактичні умови використання та спосіб використання інструмента, беручи до уваги усі частини робочого циклу, в тому числі час, коли інструмент вимкнено, та коли він працює в режимі холостого ходу, на додаток до часу запуску.

Залишкові ризики

Дотримання всіх правил техніки безпеки та застосування пристроїв безпеки не гарантує уникнення певних залишкових ризиків. До такого переліку належать:

- Порушення слуху.

- Ризик тілесних ушкоджень через частинки, які розлітаються.
- Ризик опіків через нагрівання приладдя під час роботи.
- Ризик тілесних ушкоджень через занадто тривале використання.

ЗБЕРІГАЙТЕ ЦІ ІНСТРУКЦІЇ

Зарядні пристрої

DEWALT не вимагають налаштувань і розроблені для максимально простого використання.

Електрична безпека

Електричний двигун розроблений для роботи лише з одним значенням напруги. Завжди перевіряйте, що напруга акумулятора відповідає напрузі, що вказана в технічних даних. Також переконайтеся, що напруга зарядного пристрою відповідає напрузі мережі живлення.



Ваш зарядний пристрій DEWALT має подвійну ізоляцію відповідно до EN60335; тому заземлення не є необхідним.

Якщо кабель живлення пошкоджений, він повинен бути замінений лише авторизованою DEWALT сервісною організацією.

Використання електричного подовжувача

Використовуйте подовжувальний шнур лише за абсолютної необхідності. Використовуйте лише рекомендований подовжувальний шнур, що відповідає споживаній потужності вашого зарядного пристрою (див. **Технічні дані**). Мінімальний розмір перерізу провідника становить 1 мм²; максимальна довжина — 30 м.

При використанні кабельного барабану завжди витягуйте весь кабель.

Важливі інструкції з техніки безпеки для всіх зарядних пристроїв

ЗБЕРІГАЙТЕ ЦІ ІНСТРУКЦІЇ: У цьому керівництві містяться важливі інструкції з техніки безпеки та використання для сумісних зарядних пристроїв (див. «Технічні дані»).

- **Перед використанням зарядного пристрою прочитайте всі інструкції та попередження на зарядному пристрої, акумуляторах та продукті, для якого ці акумулятори використовуються.**



ПОПЕРЕДЖЕННЯ: Небезпека ураження електричним струмом. Не допускайте потрапляння рідини в зарядний пристрій. Це може призвести до ураження електричним струмом.



ПОПЕРЕДЖЕННЯ: Ми рекомендуємо використовувати пристрій з керуванням диференційним струмом з номінальним значенням диференційного струму 30 мА або менше.



УВАГА: Небезпека опіку. Для зниження ризику виникнення травм заряджайте лише акумулятори DEWALT. Інші типи акумуляторів можуть вибухнути, спричинивши тілесні ушкодження та пошкодження майна.



УВАГА: Уважно слідкуйте за тим, щоб діти не гралися з пристроєм.

ПРИМІТКА: За певних умов, коли зарядний пристрій підключений до мережі живлення, незахищені контакти всередині зарядного пристрою можуть замкнутися будь-яким стороннім предметом. Сторонні предмети, що проводять струм, наприклад металева стружка, алюмінієва фольга або будь-які металеві деталі, необхідно зберігати подалі від зарядного пристрою. Завжди відключайте зарядний пристрій від розетки, коли батарея не встановлена в зарядний пристрій. Відключіть зарядний пристрій від мережі живлення перед його очищенням

- **НЕ намагайтесь заряджати акумулятор зарядними пристроями, що не вказані в цьому керівництві.** Зарядний пристрій та акумулятори даної моделі розроблені для сумісної експлуатації.
- **Ці зарядні пристрої не призначені ні для чого іншого, крім зарядки акумуляторів DeWALT.** Використання з іншими акумуляторами може призвести до виникнення пожежі або ураження електричним струмом.
- **Не піддавайте зарядний пристрій впливу дощу або снігу.**
- **При відключенні зарядного пристрою від мережі живлення тягніть за вилку, а не за кабель.** Це зменшить ризик пошкодження вилки та кабелю.
- **Переконайтесь, що кабель розміщений так, щоб на нього не наступали, не ходили по ньому та не піддавали його іншим фізичним впливам.**
- **Не використовуйте подовжувальний шнур окрім випадків, коли це абсолютно необхідно.** Використання невідповідних подовжувальних шнурів може призвести до пожежі або ураження електричним струмом.
- **Не кладіть будь-які предмети на зарядний пристрій та не залишайте зарядний пристрій на м'якій поверхні, що може заблокувати вентиляційні отвори та призвести до надмірного нагрівання.** Розташуйте зарядний пристрій подалі від джерел тепла. Зарядний пристрій вентилюється крізь отвори у верхній та нижній частинах корпусу.
- **Не використовуйте зарядний пристрій із пошкодженим кабелем або вилкою — їх потрібно негайно замінити.**
- **Не використовуйте зарядний пристрій, якщо той отримав різкий удар, впав або був пошкоджений іншим чином.** Віднесіть його до авторизованого сервісного центру.
- **Якщо зарядний пристрій вимагає технічного обслуговування або ремонту, не розбирайте його самотужки, а віднесіть до авторизованого сервісного центру.** Невідповідні способи використання можуть призвести до виникнення пожежі або ураження електричним струмом.
- Якщо кабель живлення пошкоджено, для уникнення небезпеки його необхідно негайно замінити, звернувшись

до виробника, спеціаліста сервісного центру або іншого кваліфікованого спеціаліста.

- **Відключайте зарядний пристрій від розетки перед його очищенням. Це дозволяє знизити ризик ураження електричним струмом.** Видалення акумулятора не знижує ризик.
- **НИКОЛИ не намагайтесь з'єднувати два зарядні пристрої.**
- **Цей зарядний пристрій розрахований на роботу зі стандартною напругою побутової електромережі 230 В. Не намагайтесь використовувати його з іншою напругою.** Це не стосується автомобільних зарядних пристроїв.







Зарядка акумулятора (Рис. [Fig.] B)

1. Підключіть зарядний пристрій до відповідної розетки перед встановленням акумулятора.
2. Вставте акумулятор **35** у зарядний пристрій до упору. Червоний індикатор («зарядка») буде блимати, вказуючи на початок процесу зарядки.
3. Коли зарядку завершено, червоний індикатор горить, не блимаючи. Це означає, що акумулятор повністю заряджений та може використовуватися одразу або залишатися в зарядному пристрої. Щоб витягнути акумулятор із зарядного пристрою, натисніть кнопку деблокування **36** на акумуляторі.

ПРИМІТКА: щоб забезпечити максимальну продуктивність та тривалість роботи літій-іонного акумулятора, повністю зарядіть його перед першим використанням.

Робота зарядного пристрою

Нижче описані індикатори стану зарядки акумулятора.

Індикатори зарядки	
	Заряджається 
	Повністю заряджений 
	Затримка через надмірно високу/низьку температуру акумулятора* 

*Червоний індикатор буде продовжувати миготіти, а жовтий індикатор буде горіти під час виконання цього завдання. Коли акумулятор досягне прийнятної температури, жовтий індикатор згасне, а зарядний пристрій відновить процес зарядки.

Сумісний зарядний пристрій не буде заряджати несправний акумулятор. Зарядний пристрій розпізнає несправну батарею та не ввімкне світловий індикатор.

ПРИМІТКА: Це також може свідчити про проблему з зарядним пристроєм.

Якщо виявлено проблему із зарядним пристроєм, віднесіть зарядний пристрій та акумулятор для перевірки в авторизований сервісний центр.

Затримка через надмірно високу/низьку температуру акумулятора

Якщо зарядний пристрій визначає, що акумулятор є надмірно гарячим або холодним, він автоматично вмикає режим температурної затримки, припиняючи процес зарядки, доки акумулятор не досягне відповідної температури. Після досягнення прийнятної температури зарядний пристрій автоматично перемикається в режим зарядки акумулятора. Ця функція забезпечує максимальний термін служби акумулятора.

Холодний акумулятор буде заряджатися повільніше порівняно з теплим акумулятором. Такий акумулятор буде заряджатися повільніше протягом всього циклу зарядки та не повернеться до максимального значення зарядки, навіть якщо нагріється.

Зарядний пристрій DCB118 оснащений внутрішнім вентилятором, призначеним для охолодження акумулятора. Вентилятор автоматично вмикається, коли акумулятор потребує охолодження. Ніколи не використовуйте зарядний пристрій, якщо вентилятор працює неналежним чином або вентиляційні отвори заблоковані. Уникайте потрапляння сторонніх предметів усередину зарядного пристрою.

Електронна система захисту

Інструменти з літій-іонними акумуляторами XR розроблені з використанням електронної системи захисту, яка захищає акумулятор від перевантаження, перегрівання або глибокої розрядки.

Пристрій автоматично вмикається, якщо спрацює електронна система захисту. Якщо це сталося, встановіть літій-іонний акумулятор в зарядний пристрій до повної зарядки.

Кріплення на стіну

Ці зарядні пристрої можна закріпити на стіні, чи поставити на стіл або іншу робочу поверхню. При кріпленні на стіну розташуйте зарядний пристрій недалеко від електричної розетки, а також подалі від кутів та інших перешкод, що заважають повітряному потоку. Скористайтеся задньою частиною зарядного пристрою в якості шаблону для розташування кріпильних гвинтів на стіні. Надійно зафіксуйте зарядний пристрій за допомогою шурупів (потрібно придбати окремо) довжиною приблизно 25,4 мм з голівкою діаметром 7–9 мм, що закручуються в дерев'яну поверхню до оптимальної глибини, щоб залишилося приблизно 5,5 мм. Вирівняйте отвори на задній поверхні зарядного пристрою з виступаючими шурупами, після чого повністю вставте шурупи в отвори.

Інструкції з очищення зарядного пристрою

⚠️ ПОПЕРЕДЖЕННЯ: *Небезпека ураження електричним струмом. Відключіть зарядний пристрій від розетки змінного струму перед його очищенням. Бруд та жир можна видалити з поверхні зарядного пристрою за допомогою ганчірки або м'якої металевий щітки. Не використовуйте воду та мийні розчини. Не дозволяйте рідині потрапляти всередину інструмента та ніколи не занурюйте деталі інструмента в рідину.*

Акумулятор

Важливі інструкції з техніки безпеки для різних типів акумуляторів

При замовленні змінних акумуляторів не забудьте вказати номер за каталогом та напругу.

Новий акумулятор заряджений не повністю. Перед використанням акумулятора та зарядного пристрою прочитайте всі нижче наведені інструкції з техніки безпеки. Після цього виконайте всі вказані пункти процедури зарядки.

ПРОЧИТАЙТЕ ВСІ ІНСТРУКЦІЇ

- **Не заряджайте та не використовуйте акумулятор у вибухонебезпечних умовах, наприклад в присутності легкозаймистих рідин, газів або пилю.** Під час встановлення або виймання батареї з зарядного пристрою може спалахнути пил або пара.
- **Не прикладайте зусилля, вставляючи акумулятор в зарядний пристрій. Жодним чином не модифікуйте акумулятор, аби встановити його в несумісний зарядний пристрій, адже акумулятор може розірватися та спричинити серйозні травми.**
- Використовуйте тільки зарядні пристрої DEWALT для зарядження акумуляторів.
- **НЕ занурюйте акумулятор у воду та інші рідини та не бризкайте на нього.**
- **Не зберігайте та не використовуйте інструмент та акумулятор у місцях, де температура може сягати або перевищувати 40 °C (104 °F) (наприклад, біля гаражів або металевих будівель влітку).**
- **Не спалюйте акумулятор, навіть якщо він сильно пошкоджений або повністю зношений.** Акумулятор може вибухнути у вогні. Коли літій-іонні акумулятори горять, утворюються токсичні випаровування та речовини.
- **Якщо вміст акумулятора потрапив на шкіру, негайно промийте це місце м'яким милом та водою.** Якщо рідина з акумулятора потрапила в очі, промийте відкрите око протягом 15 хвилин або доки подразнення не зникне. Якщо необхідно звернутися до лікаря, акумуляторний електродит складається з суміші рідких органічних вуглекислих солей та солей літію.
- **Вміст відкритого акумулятора може спричинити подразнення дихальних шляхів.** Вийдіть на свіже повітря. Якщо симптоми не зникнуть, зверніться до лікаря.



ПОПЕРЕДЖЕННЯ: *Небезпека опіку. Рідина з акумулятора може спалахнути, якщо на неї потрапить іскра або полум'я.*



ПОПЕРЕДЖЕННЯ: *За жодних умов не намагайтеся відкрити акумулятор. За будь-якого пошкодження акумулятора не встановлюйте його у зарядний пристрій. Не бийте, не кидайте та не пошкоджуйте акумулятор. Не використовуйте акумулятор та зарядний пристрій, якщо ті отримали різкий удар, впади або були пошкоджені іншим чином (наприклад,*

були проколоті цвяхом, вдарені молотком, на них наступили). Це може призвести до ураження електричним струмом. Пошкоджені акумулятори необхідно повернути до сервісного центру для переробки.



ПОПЕРЕДЖЕННЯ: Небезпека виникнення пожежі.

Зберігайте та переносьте акумулятор щаб, щоб металеві предмети не торкалися його відкритих контактів. Наприклад, не кладіть акумулятор у фартух, кишені, ящики з інструментами, коробки з наборами приладдя, шухляди тощо, де можуть бути цвяхи, гвинти, ключі тощо.



УВАГА: Коли інструмент не використовується, залишайте його на боці на стабільній поверхні в такому місці, де через нього не можна перепечитися та впасти. Деякі інструменти з великими акумуляторами можуть стояти на батареї, але їх можна легко перекинути.

Транспортування



ПОПЕРЕДЖЕННЯ: Небезпека виникнення пожежі. Під час перевезення акумуляторів може виникнути пожежа, якщо контакти акумулятора випадково вийдуть в контакт з електропровідним матеріалом. Під час перевезення акумуляторів переконайтесь, що їхні контакти захищені та добре ізольовані від матеріалів, які можуть увійти з ними в контакт та викликати коротке замикання.

ПРИМІТКА: При перевезенні літій-іонних акумуляторів не можна здавати їх в багаж.

Акумулятори DEWALT відповідають всім нормам перевезення, описаним у галузевих та законодавчих положеннях, включно з рекомендаціями ООН про перевезення небезпечних вантажів, правилами перевезення небезпечних вантажів Міжнародної організації повітряного транспорту (IATA), міжнародними правилами перевезення небезпечних вантажів водним транспортом (IMDG) та Європейській угоді про міжнародне дорожнє перевезення небезпечних вантажів (ADR). Літій-іонні елементи живлення та акумулятори були перевірені відповідно до розділу 38.3 керівництва з тестів та критеріїв щодо перевезення небезпечних вантажів Рекомендацій ООН.

У більшості випадків перевезення акумуляторів DEWALT може не класифікуватися як перевезення небезпечних речовин, що підпадають під клас 9. Загалом тільки вантажі, що містять літій-іонні акумулятори ємністю більше за 100 ват-годин (Вт-год), вимагають транспортування відповідно до норм перевезення небезпечних речовин, що повністю підпадають під клас 9. На всі літій-іонні акумулятори нанесено значення ват-годин. Крім того, через складності законодавчих норм компанія DEWALT не рекомендує транспортування окремо літій-іонних акумуляторів повітряним транспортом, незалежно від показника ват-годин. Перевезення інструментів з акумуляторами (у комплекті) можна виконувати повітряним транспортом, якщо значення ват-годин не перевищує 100 Вт-год.

Незалежно від того, чи вантаж вважається виключеним або повністю регламентованим, вантажовідправник несе відповідальність за відповідність останнім нормам щодо вимог до упаковки, етикеток/маркування та документації. Інформація, що наводиться у цьому розділі керівництва, сумлінно перевірена та вважається дійсною на момент складання документації. Проте чинні нормативи можуть підлягати змінам. Покупець несе відповідальність за те, щоб його дії відповідали певним нормам.

Рекомендації щодо зберігання

1. Найкращим місцем для зберігання інструмента є прохолодне сухе місце, куди не потрапляють прямі сонячні промені та немає доступу тепла та холоду. Для оптимальної продуктивності та терміну служби батарей зберігайте їх за кімнатної температури, коли вони не використовуються.
2. При тривалому зберіганні для оптимального результату рекомендується помістити повністю заряджений акумулятор у сухе прохолодне місце поза зарядним пристроєм.

ПРИМІТКА: Не рекомендується зберігати акумулятор повністю розрядженим. Акумулятор потрібно перезарядити перед використанням.

Етикетки на зарядному пристрої та акумуляторі

Крім символів, що використовуються у цьому керівництві, етикетки на зарядному пристрої та акумуляторі можуть містити наведені нижче позначки.



Прочитайте інструкції цього керівництва перед використанням.



Див. розділ «Технічні дані» щодо часу зарядки.



Не торкайтеся електропровідними предметами.



Не заряджайте пошкоджені акумулятори.



Не піддавайте впливу води.



Негайно замінійте пошкоджений дрiт живлення.



Заряджайте акумулятор за температури 4–40 °C.



Лише для використання в приміщенні.



Утилізуйте акумулятори з належною турботою про навколишнє середовище.

Li-ION



Заряджайте акумулятори DEWALT лише за допомогою спеціальних зарядних пристроїв DEWALT. Зарядка інших акумуляторних батарей, ніж призначені DEWALT, у зарядному пристрої DEWALT може призвести до їх вибуху або інших небезпечних ситуацій.



Не спалюйте акумулятори.



ВИКОРИСТАННЯ (без кришки для транспортування).
Приклад: Значення Вт-год становить 108 Вт-год (1 акумулятор потужністю 108 Вт-год).



ТРАНСПОРТУВАННЯ (зі встановленою кришкою для транспортування). Приклад: Значення Вт-год становить 3 × 36 Вт-год (3 акумулятори потужністю 36 Вт-год).

Тип акумулятора

Ця DCMPW1600 працює від двох 18-вольтих акумуляторів однакової ємності. Ця DCMPW1600 не працюватиме з одним акумулятором, і при використанні 18-вольтих акумуляторів різної ємності, коли розрядиться акумулятор меншої ємності, пристрій вимкнеться. Для забезпечення оптимальної продуктивності та тривалості роботи рекомендується використовувати акумулятори DCB547 9.0 АН. **ПРИМІТКА.** Для забезпечення найкращих результатів, перед використанням слід переконатись, що обидва акумулятори повністю заряджені.

Для експлуатації придатні акумулятори наступних моделей: DCB181, DCB182, DCB183, DCB183B, DCB183G, DCB184, DCB184B, DCB184G, DCB184S, DCB187, DCB189, DCBP034, DCBP034G, DCBP518, DCBP518G, DCB546, DCB547, DCB547G, DCB548, DCB549. Див. додаткову інформацію в розділі «Технічні дані».

Комплект поставки

Комплект містить:

- 1 Мийка високого тиску
- 1 Ручка розпилювача
- 1 Розпилювальна трубка
- 1 Шланг високого тиску
- 1 Самовсмоктувальний шланг
- 1 Пінний пістолет високого тиску
- 1 Вхідний водяний фільтр
- 1 Регульована форсунка розпилювача
- 1 Турбофорсунка
- 1 Інструмент для очищення форсунки
- 1 Універсальний з'єднувач шланга
- 1 Літій-іонний акумулятор (моделі C1, D1, E1, G1, H1, L1, M1, P1, Q1, S1, T1, U1, X1, Y1, Z1)
- 2 Літій-іонні акумулятори (моделі C2, D2, E2, G2, H2, L2, M2, P2, Q2, S2, T2, U2, X2, Y2, Z2)
- 3 Літій-іонні акумулятори (моделі C3, D3, E3, G3, H3, L3, M3, P3, Q3, S3, T3, U3, X3, Y3, Z3)
- 1 Посібник з експлуатації

ПРИМІТКА. Акумулятори, зарядні пристрої й коробки для зберігання не входять до комплекту моделей N. Акумулятори й зарядні пристрої не входять до комплекту моделей NT. Акумулятори для приладів з підтримкою Bluetooth® входять до комплекту моделей B.

ПРИМІТКА. Текстовий знак та логотипи Bluetooth® є зареєстрованими товарними знаками, що належать компанії Bluetooth®, SIG, Inc. Будь-яке використання таких знаків компанією DEWALT здійснюється згідно з ліцензією. Інші торгові марки й торгові назви належать відповідним власникам.

- *Перевірте інструмент, деталі та приладдя на пошкодження, що могли виникнути під час транспортування.*
- *Перед використанням уважно прочитайте та повністю зрозумійте цей посібник.*

Маркування на інструменті

На інструменті є наступні піктограми:



Попередження! Користувач має уважно прочитати керівництво з експлуатації для зниження ризику отримання травм.



Використовуйте засоби захисту очей.



Використовуйте засоби захисту органів слуху.



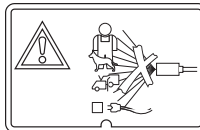
Машина не підходить для підключення до водопровідної магістралі з питною водою.



В Директиві 2000/14/ЕС вказана гарантована звукова потужність.
DCMPW1600



Завжди виймайте акумулятор із пристрою перед проведенням будь-яких робіт з очищення та технічного обслуговування.



Ніколи не спрямовуйте струмінь води на людей, тварин, машину або електричні компоненти

Розташування коду дати (рис. С)

Код дати виробництва **37** складається із 4 цифр року, за якими йдуть 2 цифри тижня і додатково 2 цифри коду підприємства.

Опис (Рис. А)

ПОПЕРЕДЖЕННЯ. Ніколи не модифікуйте електричні інструменти та їх деталі. Це може призвести до пошкодження майна або тілесних ушкоджень.

- 1 Шланг високого тиску
- 2 Розпилювальна трубка
- 3 Кнопка форсунки
- 4 Ручка розпилювача
- 5 Рукоятка
- 6 Кнопка блокування куркового перемикача
- 7 Курковий перемикач
- 8 Мийка високого тиску
- 9 Перемикач швидкостей
- 10 Кришка відсіку для речей
- 11 Засувка
- 12 Висувна рукоятка
- 13 Кнопка розблокування рукоятки
- 14 Кожух
- 15 Коліщатка для транспортування
- 16 Нижня частина
- 17 Водозбірник садового шланга
- 18 Випуск для води високого тиску
- 19 Кнопка прискорення
- 20 Кришка акумуляторного відсіку
- 21 Засувка кришки акумуляторного відсіку
- 22 Турбофорсунка
- 23 Регульована форсунка розпилювача
- 24 Вхідний водяний фільтр
- 25 Швидкоз'ємний перехідник для шланга
- 26 Пінний пістолет високого тиску
- 27 Інструмент для очищення форсунки
- 28 Самовсмоктувальний шланг
- 29 Поплавець
- 30 Фільтр всмоктувального шланга
- 31 Муфта всмоктувального шланга
- 32 Фіксатор відсіку для зберігання шлангів
- 33 Засувка відсіку для зберігання шлангів
- 34 Хомут для фіксації шланга на час зберігання

Сфера застосування

Ця мийка високого тиску призначена для чищення човнів, автомобілів, палуб, проїздів, решіток, сайдингу будинку, мотоциклів, внутрішніх двориків та вуличних меблів.

НЕ використовуйте за умов підвищеної вологості або в присутності легкозаймистих рідин та газів.

НЕ дозволяйте дітям торкатися інструмента. Використання інструмента недосвідченими операторами потребує нагляду.

- **Діти та люди з обмеженими можливостями.** Цей пристрій не призначений для використання дітьми та особами з обмеженими фізичними або розумовими можливостями без нагляду.
- Цей пристрій не призначений для використання особами (включаючи дітей) зі зниженими фізичними, сенсорними

або розумовими можливостями або особами, яким бракує досвіду або знань за винятком випадків, коли такі особи працюють під наглядом особи, яка несе відповідальність за їх безпеку. Не можна залишати дітей наодинці з цим пристроєм.

МОНТАЖ ТА НАЛАШТУВАННЯ

ПОПЕРЕДЖЕННЯ: Щоб знизити ризик серйозних тілесних ушкоджень, вимкніть інструмент та відключіть акумулятор перед виконанням будь-яких налаштувань або змінням/встановленням додаткового обладнання або приладдя. Випадковий запуск може призвести до травм.



ПОПЕРЕДЖЕННЯ: Використовуйте тільки акумулятори та зарядні пристрої марки DeWALT.

Ручки для перенесення (рис. А)

Цю мийку високого тиску обладнано захисним кожухом, що захищає мийку від щоденного зносу на виробництві, а також має кілька варіантів ручок для **14** перенесення. Обирайте максимально зручний варіант для перенесення мийки високого тиску в конкретному випадку. **НЕ НАМАГАЙТЕСЯ** тягнути мийку високого тиску за фіксатор відсіку для зберігання шлангів **32** або висувну рукоятку **12**.

Висувна рукоятка (рис. А, D)

Цю мийку високого тиску обладнано зручною, вбудованою висувною рукояткою та коліщатками для транспортування.

1. Щоб розблокувати висувну рукоятку **12**, натисніть кнопку розблокування рукоятки **13** і потягніть рукоятку вгору. Коли вона займе потрібне положення, ви почуєте характерне клацання.
2. Щоб скласти висувну рукоятку **12**, натисніть кнопку розблокування рукоятки **13** і потягніть висувну рукоятку вниз, в корпус мийки високого тиску. Коли вона займе потрібне положення, ви почуєте характерне клацання.
3. Для переміщення мийки високого тиску **8**, нахиліть пристрій таким чином, щоб коліщатка для транспортування **15** торкалися землі, і потягніть пристрій за висувну рукоятку.

Відсік для зберігання приладдя (рис. А, Е)

Цю мийку високого тиску обладнано вбудованим відсіком для зберігання такого приладдя **41**, як розпилювальна трубка, ручка розпилювача, рукоятка та форсунки.

1. Щоб розблокувати кришку відсіку для зберігання **10**, поверніть засувку кришки **11** проти годинникової стрілки і відкриті її, щоб отримати доступ до розпилювальної трубки **2**, ручки розпилювача **4**, рукоятки **5**, турбофорсунки **22** та регульованої форсунки розпилювача **23**.
2. Щоб заблокувати кришку відсіку для зберігання приладдя **10**, закрийте її. Поверніть засувку кришки **11** за годинниковою стрілкою, щоб заблокувати кришку.

Збирання розпилювальної трубки (рис. F)

1. Щоб під'єднати ручку розпилювача **4** до рукоятки **5**, вставте різьбовий кінець ручки розпилювача в різьбовий кінець рукоятки. Повертайте ручку розпилювача **4** за годинниковою стрілкою до повного затягування.
2. Щоб під'єднати розпилювальну трубку **2** до ручки розпилювача **4**, вставте різьбовий кінець розпилювальної трубки в різьбову муфту **42** ручки розпилювача. Повертайте різьбову муфту **42** за годинниковою стрілкою до повного затягування.

Відсік для зберігання шланга високого тиску і всмоктувального шланга (рис. G)

Цю мийку високого тиску обладнано вбудованим відсіком для зберігання шланга високого тиску. Скручений шланг закріплюється між фіксатором відсіку для зберігання шлангів **32** і мийкою високого тиску **8**.

1. Щоб отримати доступ до шланга високого тиску **1** або всмоктувального шланга **28**, розблокуйте засувку відсіку для зберігання шлангів **33** і відкрийте фіксатор відсіку для зберігання шлангів **32** мийки високого тиску **8**.
2. Розкрутіть хомут для фіксації шланга на час зберігання **34** і зніміть шланг з мийки високого тиску **8**.
3. Закрийте фіксатор відсіку для зберігання шлангів **32** і заблокуйте засувку відсіку для зберігання шлангів **33**, яка закріплює фіксатор відсіку для зберігання шлангів **32** на мийці високого тиску **8**.

Під'єднання шланга високого тиску (рис. H)

⚠ **ОБЕРЕЖНО! НИКОЛИ НЕ ТЯГНІТЬ ЗА ШЛАНГ ПОДАЧІ ВОДИ, ЩОБ ПЕРЕСУНИТИ** мийку високого тиску. Це може пошкодити шланг та/або впускний патрубок насоса.

ПРИМІТКА. Перед установкою розмотайте шланг високого тиску **1**, щоб запобігти перегинам.

ПРИМІТКА. Під час установки шланга не допускайте заїдання різьблення. Заїдання різьблення призведе до витоків.

1. Щоб під'єднати шланг високого тиску **1** до рукоятки **5**, спочатку накрутіть муфту шланга **39** на впускний патрубок **40**.
2. Щоб під'єднати шланг високого тиску до мийки високого тиску **8**, спочатку накрутіть муфту шланга **40** на впускний патрубок високого тиску **18**.

Під'єднання садового шланга (рис. I)

ПРИМІТКА. Перш ніж під'єднати садовий шланг до мийки високого тиску, пропустіть воду через садовий шланг протягом тридцяти секунд, щоб видалити сміття з середини садового шланга.

1. Щоб під'єднати садовий шланг **38** до мийки високого тиску **8**, спочатку накрутіть вхідний водяний фільтр **24** на водозабірник **17**.
2. Викрутіть основу швидкоз'ємного перехідника для шланга **25** і надягніть її на шланг. Вставте шланг у

швидкоз'ємний перехідник для шланга до упору. Накрутіть основу на швидкоз'ємний перехідник для шланга **25**, щоб закріпити шланг у швидкоз'ємному перехіднику **25**.

3. Встановіть швидкоз'ємний перехідник для шланга **25** на вхідний водяний фільтр **24** до «кляцання».

ПРИМІТКА. Завжди від'єднуйте садовий шланг після використання.

Встановлення форсунок (рис. J)

⚠ **НЕБЕЗПЕЧНО!** Ризик впорскування рідини. Не спрямовуйте струмінь розпилювача на людей, незахищену шкіру, очі або домашніх чи хижих тварин. Це може стати причиною отримання серйозної травми.

⚠ **ПОПЕРЕДЖЕННЯ.** Предмети, що розлітаються, можуть стати причиною серйозних травм. НЕ НАМАГАЙТЕСЯ м'якити форсунки під час роботи мийки високого тиску. Перед заміною форсунки вимкніть мийку високого тиску.

1. Щоб під'єднати форсунку до розпилювальної трубки **2**, натисніть кнопку форсунки **3** на розпилювальній трубі та вставте відповідну форсунку.
2. Відпустіть кнопку форсунки **3**, щоб зафіксувати форсунку на місці.
3. Сильно потягніть за форсунку, щоб переконатися, що вона зафіксована на місці.

Типи форсунок	Сфери застосування
Регульована форсунка	Для дбайливого чищення під широким кутом розпилення
Турбофорсунка	Для абразивного чищення

ПРИМІТКА. Турбофорсунка **22** підходить для очищення бетонної та цегляної кладки. Не рекомендується використовувати цю форсунку для чищення автомобілів, оскільки це може призвести до пошкодження поверхні.

Налаштування форми розпилення регульованої форсунки (рис. J)

Кут розпилення можна регулювати обертанням форсунки. Це дозволяє змінювати форму розпилення з вузького струменя (приблизно 0°) з високою ударною силою до широкого в'ялового розпилення (60°).

- Вузький суцільний струмінь розподіляє удар води у визначеній зоні, призводячи до високої сили удару по поверхні, що очищується. Використовуйте вузький суцільний струмінь для глибокого очищення у визначеній зоні. Однак використовуйте його з обережністю, оскільки він може пошкодити деякі поверхні.
- За допомогою широкого в'ялового розпилення удар води розподіляється по більшій площі, призводячи до відмінного очищення з меншим ризиком пошкодити поверхню. Для очищення поверхонь великої площі рекомендується використовувати широке в'ялове розпилення.

Під'єднання самовсмоктувального шланга (рис. А, К)

Використовуйте самовсмоктувальний шланг, щоб набрати воду з відра або іншого джерела прісної води.

ПРИМІТКА. Не використовуйте для всмоктування мило, хімікати, брудні або їдкі рідини, такі як засіб для миття вікон, підживку для рослин, добрива або відбілювач. Не використовуйте солону воду.

ПРИМІТКА. Під час установки самовсмоктувального шланга не допускайте заїдання різьблення **28**. Заїдання різьблення призведе до витоків.

1. Щоб під'єднати самовсмоктувальний шланг **28** до мийки високого тиску **8**, спочатку накрутіть муфту всмоктувального шланга **31** на водозабірник **17**.
2. Міцно затягніть муфту всмоктувального шланга **31** вручну.
ПРИМІТКА. Завжди від'єднуйте всмоктувальний шланг після використання.
3. Помістіть інший кінець всмоктувального шланга з фільтром **30** в ємність з прісною водою або джерело прісної води.
4. Налаштуйте поплавець **29** на всмоктувальному шлангу так, щоб фільтр **30** залишався покритим рідиною.
5. Виберіть відповідну форсунку для використання.

Встановлення форсунок

6. Після завершення роботи помістіть всмоктувальний шланг в ємність з чистою водою і пропустіть чисту воду через систему для промивання.

ПРИМІТКА. У разі використання самовсмоктувального шланга для самозаправлення мийки високого тиску може знадобитися кілька хвилин. Переконайтеся, що мийка високого тиску увімкнена і утримуйте курковий перемикач на розпилювальній трубіці натиснутим, доки мийка не буде заправлена.

Під'єднання пінного пістолета високого тиску (рис. L)

1. Щоб під'єднати пінний пістолет високого тиску **26** до розпилювальної трубки **2**, натисніть кнопку форсунки **3** і вставте пляшку з мийним засобом.
2. Відпустіть кнопку форсунки **3**, щоб зафіксувати пінний пістолет високого тиску **26** на місці.
3. Після цього міцно затягніть пінний пістолет високого тиску **26**, щоб переконатися, що його зафіксовано на місці.

ПРИМІТКА. Пляшку з мийним засобом слід розташувати під розпилювальною трубкою. Не розташовуйте пінний пістолет високого тиску над розпилювальною трубкою, оскільки це призведе до потрапляння крапель мийного засобу на розпилювальну трубку. Розпилювальна насадка пінного пістолета високого тиску **26** обертається, щоб забезпечити виконання роботи у вертикальному або горизонтальному напрямку.

РЕЖИМ РОБОТИ

Інструкції з використання



ПОПЕРЕДЖЕННЯ: Завжди дотримуйтесь усіх інструкцій з техніки безпеки та відповідних норм.



ПОПЕРЕДЖЕННЯ: Щоб знизити ризик серйозних тілесних ушкоджень, вимкніть інструмент та відключіть акумулятор перед виконанням будь-яких налаштувань або змінами/встановленням додаткового обладнання або приладдя. Випадковий запуск може призвести до травм.

Встановлення та виймання акумуляторів (рис. M, N)

Ця мийка високого тиску працює від двох акумуляторів однакової ємності. Ця мийка високого тиску не працюватиме з одним акумулятором, а при використанні акумуляторів різної ємності, коли розрядиться акумулятор меншої ємності, пристрій вимкнеться.

ПРИМІТКА. Для забезпечення найкращих результатів, перед використанням слід переконавшись, що обидва акумулятори повністю заряджені.

Встановлення акумуляторів



ПОПЕРЕДЖЕННЯ. Перш ніж встановлювати акумулятори, переконайтеся, що перемикач швидкостей знаходиться в положенні OFF (ВИМК.), тобто в центральному положенні.



ОБЕРЕЖНО! Якщо кришка акумуляторного відсіку буде відкрита, пристрій вимкнеться. Якщо перемикач швидкостей знаходиться в положенні HI (ВИСОК.) або LO (НИЗЬК.), пристрій увімкнеться після закриття кришки акумуляторного відсіку.



ОБЕРЕЖНО! Не утримуйте курковий перемикач, закриваючи кришку акумуляторного відсіку.

1. Розблокуйте кришку акумуляторного відсіку **20**, повернувши засувку кришки акумуляторного відсіку **21** проти годинникової стрілки і відкрийте кришку, щоб отримати доступ до акумуляторного відсіку.
2. Вирівняйте акумулятори **35** відповідно до напрямних в акумуляторному відсіку та просуньте їх до упору. Переконайтеся, що акумулятори не випадають.
3. Заблокуйте кришку акумуляторного відсіку **20**, закрийте кришку акумуляторного відсіку таким чином, **20** щоб вона щільно прилягала до мийки високого тиску **8**.
4. Поверніть засувку кришки акумуляторного відсіку **21** за годинниковою стрілкою, щоб заблокувати кришку акумуляторного відсіку. Перед запуском пристрою переконайтеся, що кришка акумуляторного відсіку повністю закрита.
ПРИМІТКА. Якщо кришка акумуляторного відсіку повністю не закрита і не заблокована, пристрій не працюватиме.

Виймання акумуляторів

1. Поверніть засувку кришки акумуляторного відсіку **21** проти годинникової стрілки і відкрийте кришку, щоб отримати доступ до акумуляторів **35**.
2. Натисніть кнопки розблокування акумуляторів **36** на акумуляторах **35** і витягніть акумулятори з пристрою.
3. Вставте акумулятори у зарядний пристрій відповідно до інструкцій, викладених у розділі щодо зарядного пристрою цього посібника.
4. Закрийте кришку акумуляторного відсіку **20** таким чином, щоб вона щільно прилягала до мийки високого тиску **8** і заблокуйте її. Переконайтеся, що кришка акумуляторного відсіку повністю закрита.

Акумулятори з індикатором рівня заряду (рис. В)

Деякі Акумулятори DEWALT оснащені індикатором заряду з трьох зелених світлодіодів, що вказують рівень заряду акумулятора, що залишився.

Щоб увімкнути індикатор заряду, натисніть та утримуйте кнопку індикатора заряду **43**. Три зелені світлодіоди будуть горіти відповідним чином, відображуючи рівень зарядження акумулятора. Коли рівень заряду акумулятора нижче відповідного ліміту, індикатор рівня заряду не горить, а акумулятор потрібно зарядити.

ПРИМІТКА. Індикатор рівня заряду показує лише рівень заряду, що залишився в акумуляторі. Він не показує функціональність інструмента, а його показники можуть змінюватись відповідно до комплекtnості інструмента, температури та способу застосування.

Належне положення рук (рис. О)

⚠ ПОПЕРЕДЖЕННЯ. Щоб знизити ризик серйозних травм, **ЗАВЖДИ** правильно розташуйте руки, як показано на рисунку.

⚠ ПОПЕРЕДЖЕННЯ. Щоб знизити ризик серйозних травм, **ЗАВЖДИ** добре тримайте інструмент, щоб попередити випадкову віддачу.

Правильне положення рук вимагає, щоб одна рука знаходилась на рукоятці **5**, а інша – на ручці розпилювача **4**.

Правильне положення мийки високого тиску (рис. А)

⚠ ОБЕРЕЖНО! Перед експлуатацією:

Завжди тримайте пристрій лицьовою стороною догори **16**, щоб коліщата **15** торкалися землі, як показано на рис. А.

ПРИМІТКА. Забороняється використовувати мийку високого тиску у вертикальному положенні, на боці або у перевернутому положенні.

Перемикач швидкостей (рис. А, Р)

Ця мийка високого тиску дозволяє працювати при нижчому тиску для делікатніших робіт або збільшувати тиск для забезпечення високоєфективного очищення.

Перемикач швидкостей **9** має три робочих положення;

- Off (ВИМК.), по центру.
- HI (ВИСОК.), праворуч.
- LO (НИЗЬК.), ліворуч.

Щоб увімкнути мийку високого тиску, переведіть перемикач швидкостей **9** в праве або ліве положення.

Щоб вимкнути мийку високого тиску, переведіть перемикач швидкостей **9** в центральне положення.

Щоб збільшити тиск, переведіть перемикач швидкостей **9 праворуч, в положення «HI» (висок.).** Цей режим найкраще підходить для застосувань, які потребують більшого тиску/ бар.

Щоб зменшити тиск, переведіть перемикач швидкостей **9 ліворуч, в положення «LO» (НИЗЬК.).** Цей режим найкраще підходить для застосувань, що потребують більш делікатного очищення. Крім того, цей режим передбачає більшу тривалість роботи.

ПРИМІТКА. При роботі в режимі «HI» («ВИСОК») час роботи мийки високого тиску буде скорочено в порівнянні з часом роботи у режимі «LO» («НИЗЬК.»).

Щоб активувати режим прискорення, натисніть кнопку прискорення **19**, після активації режиму загориться зелений світлодіод. Цей режим найкраще підходить для застосувань, які потребують максимального тиску бар.

ПРИМІТКА. Режим прискорення можна активувати максимум на десять хвилин. Можна натиснути кнопку прискорення **19** повторно, щоб вийти з режиму прискорення раніше, ніж за десять хвилин. Тоді ви повернетесь до режиму, якому відповідає положення перемикача швидкостей **9**. Коли десять хвилин спливатиме, зелений світлодіод почне блимати, а пристрій повернеться до режиму, якому відповідає положення перемикача швидкостей **9**, після вичерпання часу режиму прискорення.

ПРИМІТКА. Після вичерпання десяти хвилин режим прискорення можна активувати знову, повторно натиснувши на пристрій кнопку прискорення **19**.

ПРИМІТКА. Використання режиму прискорення призведе до скорочення загального часу роботи.

Мийка під тиском (рис. А–Р)

⚠ ПОПЕРЕДЖЕННЯ. Щоб знизити ризик отримання серйозних травм, вимкніть пристрій і витягніть акумулятор перед виконанням будь-яких налаштувань або змінням/ встановленням насадок або приладдя. Випадковий запуск може призвести до травм.

Підготовка поверхні до очищення

- Приберіть із робочої зони предмети, які можуть становити небезпеку, наприклад, дитячі іграшки або вуличні меблі.
- Переконайтеся, що всі двері і вікна щільно закриті. Захистіть всі рослини і дерева на прилеглий території дрантям, щоб вони не постраждали від надмірного розпилення.
- Попередньо промийте ділянку, що очищається, прісною водою.
- Використовуйте лише мийні засоби, розроблені для мийок високого тиску.

- Завжди тестуйте мийний засіб на непомітній ділянці перед використанням.

Підготовка мийки високого тиску до використання



НЕБЕЗПЕЧНО! Ризик впорскування рідини і розриву. При використанні налаштування високого тиску НЕ допускайте контакту розпилювача високого тиску з незахищеною шкірою, очима або будь-якими домашніми тваринами чи хижакками. Це може стати причиною отримання серйозної травми.



ОБЕРЕЖНО! Перед експлуатацією:

1. Під'єднайте шланг високого тиску до мийки високого тиску і розпилювальної трубки. Інструкції щодо під'єднання шланга високого тиску до мийки високого тиску і розпилювальної трубки див. в темі **Під'єднання шланга високого тиску** в розділі **Збирання і регулювання**.
2. Підключіть подачу води до мийки високого тиску. Інструкції щодо підключення подачі води до мийки високого тиску див. в темі **Під'єднання садового шланга** в розділі **Збирання і регулювання**.
3. Встановіть два акумулятори **35**. Закрийте і заблокуйте кришку акумуляторного відсіку **20**. Переконайтеся, що кришка повністю закрита, див. в темі **Встановлення акумуляторів** в розділі **Встановлення та виймання акумуляторів**.

Підготовка розпилювальної трубки (рис. А, F)

ВАЖЛИВО! Перш ніж увімкнути мийку високого тиску, розблокуйте курковий перемикач **6** та натисніть його **7**.

1. Розпилювальна трубка має бути зібрана перед експлуатацією. Див. в темі **Збирання розпилювальної трубки** в розділі **Збирання і регулювання**.
2. Розблокуйте курковий перемикач **6**.
3. Підключіть подачу води.
4. Натисніть курковий перемикач **7**. Утримуйте курковий перемикач протягом 30 секунд, щоб очистити систему повітря.
5. Якщо в струмені води все ще є повітря, продовжуйте пропускати воду через розпилювальну трубку.

Очищення поверхні (рис. P)

1. Щоб запустити мийку високого тиску, переведіть перемикач швидкостей **9** в положення HI (ВИСОК.) або LO (НИЗЬК.).
2. Найкращий кут розпилення води на поверхню, що очищається, становить 45°.
 - Направлення струменя води під прямим кутом, зазвичай, призводить до вдавлювання часток бруду в поверхню, що очищається.
 - При роботі з вертикальними поверхнями найкраще наносити мийний засіб, починаючи знизу і рухаючись вгору, щоб запобігти підтіканню мийочого засобу вниз і появі розводів.
3. Щоб деактивувати ручку розпилювача, відпустіть курковий перемикач.

Переміщення мийки високого тиску (рис. A–D)

1. Вимкніть мийку високого тиску **8**, перевівши перемикач швидкостей **9** в центральне положення. Відключіть подачу води.
2. Направте розпилювальну трубку **2** у безпечному напрямку та натисніть курковий перемикач **7**, щоб скинути залишковий тиск води.
3. Після повного випорожнення розпилювальної трубки, витягніть висувну рукоятку у **12** і перемістіть мийку високого тиску на коліщатках **15** на наступну локацію.

Вимкнення (рис. А, Н, І, N, P)

1. Вимкніть мийку високого тиску **8**, перевівши перемикач швидкостей **9** в центральне положення. Відключіть подачу води і витягніть акумулятори з мийки високого тиску **8**.
2. Скиньте залишковий тиск, натиснувши і утримуючи курковий перемикач **7**, доки вода не перестане витікати з розпилювальної трубки **2**.
3. Заблокуйте курковий перемикач **6**.
4. Від'єднайте садовий шланг від водозабірника **17**.
5. Від'єднайте шланг високого тиску **1** від випускного патрубку високого тиску **18** і зливного шланга.

Очищення форсунки (рис. А, Q)



ПОПЕРЕДЖЕННЯ. Щоб знизити ризик отримання серйозних травм, вимкніть пристрій і витягніть акумулятор перед виконанням будь-яких налаштувань або змінанням/встановленням насадок або приладдя.

Випадковий запуск може призвести до травм.

Якщо форсунка забивається сторонніми матеріалами, наприклад брудом, може виникнути надмірний тиск. Якщо форсунка частково забивається або звужується, тиск насоса буде коливатися. Негайно очистіть форсунку за допомогою засобу для чищення форсунок.

1. Вимкніть мийку високого тиску **8**, перевівши перемикач швидкостей **9** в центральне положення.
2. Відключіть подачу води і витягніть акумулятори з мийки високого тиску **8**.
3. Натисніть курковий перемикач **7** на ручці розпилювача **4**, щоб скинути тиск води.
4. Зніміть форсунку з розпилювальної трубки **2**, натиснувши кнопку форсунки **3** на розпилювальній трубці і потягнувши форсунку.
5. Використовуючи інструмент для очищення форсунки **27**, видаліть сміття з форсунки.
6. Пропустіть воду з крана або садового шланга крізь форсунку.

Всмоктувальний шланг (рис. K)

1. Щоб прочистити всмоктувальний шланг **28**, відключіть мийку високого тиску.
2. Натисніть курковий перемикач, щоб скинути тиск води.
3. Від'єднайте всмоктувальний шланг **28** від мийки високого тиску.

- Щоб прочистити всмоктувальний шланг, використовуйте воду із садового шланга, ретельно промийте всмоктувальний шланг і дайте йому висохнути.

Фільтр всмоктувального шланга (рис. R)

- Поверніть фільтр **30** на кінці всмоктувального шланга **28** проти годинникової стрілки і зніміть його.
- Вийміть сітчастий фільтр з корпусу фільтра.
- Промийте всі деталі чистою водою і встановіть на місце.

ТЕХНІЧНЕ ОБСЛУГОВУВАННЯ

Ваш електричний інструмент призначений для роботи протягом довгого часу з мінімальним обслуговуванням. Довга задовільна робота приладу залежить від належного обслуговування приладу та регулярного його очищення.

- !** **ПОПЕРЕДЖЕННЯ:** Щоб знизити ризик серйозних тілесних ушкоджень, вимкніть інструмент та відключіть акумулятор перед виконанням будь-яких налаштувань або зніманням/встановленням додаткового обладнання або приладдя. Випадковий запуск може призвести до травм.

Зарядний пристрій та акумулятор не підлягають обслуговуванню.

Змащування

Ваш електричний інструмент не вимагає додаткового змащування.

Очищення

- !** **ПОПЕРЕДЖЕННЯ.** Небезпека ураження електричним струмом або механічного пошкодження. Перед чищенням від'єднайте електроприлад від джерела живлення.

- !** **ПОПЕРЕДЖЕННЯ.** Для безпечної і продуктивної експлуатації електроприлад і вентиляційні отвори мають бути чистими.

- !** **ПОПЕРЕДЖЕННЯ.** Ніколи не використовуйте розчинники та інші агресивні хімічні засоби для очищення неметалевих деталей інструмента. Такі хімічні засоби можуть негативно впливати на матеріали, що використовуються в цих деталях. Користуйтеся тканиною, змоченою у м'якому мильному розчині. Не дозволяйте рідині потрапляти всередину інструмента і ніколи не занурюйте деталі інструмента в рідину.

Вентиляційні отвори потрібно очищати сухою м'якою неметалічною щіткою та/або прийнятним пиломоском. Не використовуйте воду та мийні розчини. Використовуйте засоби захисту очей і рекомендовану протипилову маску.

Зберігання (рис. A, E, S)

- Зберігати в сухому закритому місці при температурі вище точки замерзання, витягнувши акумулятори. **ЗБЕРІГАТИ У ПРИМІЩЕННІ.**
- Завжди повністю зливайте воду зі шланга високого тиску, мийки високого тиску, форсунок та розпилювальної трубки.


- Форсунок можна зберігати в слотах для зберігання форсунок у відсіку для зберігання **41**, як показано на рис. A, E і рис. S.
- Шланг високого тиску і всмоктувальний шланг можна зберігати згорнутими і закріпленими між кожухом і мийкою високого тиску **8**, як показано на рис. A.
- Розпилювальну трубку можна зберігати, розділивши її на три частини, у відсіку для зберігання **41**, як показано на рис. A, E і рис. S.
- Лінійний пістолет високого тиску **26** можна зберігати порожнім у вбудованому відсіку для зберігання мийки високого тиску, як показано на рис. A.


Додаткові аксесуари

- !** **ПОПЕРЕДЖЕННЯ:** Оскільки інше приладдя, що не зазначене виробником DEWALT, не перевірялося з цим пристроєм, його використання з інструментом може бути небезпечним. Необхідно використовувати лише рекомендовані DEWALT приладдя з цим пристроєм, щоб знизити ризик отримання травми.

Зверніться до свого дилера для отримання подальшої інформації щодо відповідного приладдя.

Захист навколишнього середовища

-  Роздільний збір. Пристрої і акумулятори позначені цим символом, не можна викидати зі звичайним побутовим сміттям.

 Пристрої і акумулятори містять матеріали, які можна відновити та переробити, що зменшить потребу у сировині. Утилізуйте електротехнічну продукцію і акумулятори відповідно до місцевих положень.

Більш детальну інформацію можна отримати на сайті www.2helpU.com.

Придатність акумулятора для перезарядки

Дана модель акумулятора підлягає перезарядці у випадку зниження його потужності при виконанні завдань, що попередньо не вимагали особливих зусиль. Наприкінці терміну служби акумулятора утилізуйте його у спосіб, безпечний для навколишнього середовища.

- Повністю розрядіть акумулятор, потім витягніть його з інструменту.
- Літій-іонні акумулятори можна повторно переробляти. Відправте їх до свого дилера або на місцеву переробну станцію. Там зібрані акумулятори будуть перероблені або знищені належним чином.



Виробник:
"Stanley Black & Decker Deutschland GmbH" Black-&-Decker Str.40, D-65510 Idstein, Німеччина

ПОШУК ТА УСУНЕННЯ НЕСПРАВНОСТЕЙ



ПОПЕРЕДЖЕННЯ. Ризик небезпечної експлуатації. Перед обслуговуванням витягніть вилку з розетки або вимкніть електроживлення, вимкніть подачу води, скиньте залишковий тиск і активуйте кнопку блокування ручки розпилювача.

ПРОБЛЕМА	ПРИЧИНА	УСУНЕННЯ
Двигун не запускається.	Акумулятори встановлені невірно. Акумулятори не заряджаються. Перемикач швидкостей знаходиться в положенні OFF (ВИМК.). Курковий перемикач розпилювальної трубки не натиснутий. Кришка акумуляторного відсіку не закрита.	Перевірте установку акумулятора. Перевірте вимоги до зарядки акумуляторного блоку. Переведіть перемикач в положення HI (ВИСОК.) або LO (НИЗЬК.). Натисніть курковий перемикач і переведіть його в положення ON (ВИМК.). Натисніть на кришку акумуляторного відсіку, щоб переконатися, що вона повністю закрита і перевірте, чи заблокована вона за допомогою засувки.
Пристрій не досягає високого тиску.	Кран для води не повністю увімкнений. Вхідний водяний фільтр забитий. Форсунка зношена. Насос засмоктує повітря. Подача води обмежена.	Повністю відкрийте кран для води. Вийміть фільтр і промийте до очищення. Замініть на нову форсунку. Перевірте герметичність шлангів і фітінгів. Вимкніть машину та продуйте насос, натиснувши і утримуючи курковий перемикач, доки з форсунки не почне витікати вода постійним потоком. Перевірте шланг подачі води на наявність перегинів, витоків й забиття.
Вхідний тиск змінюється у більший/менший бік.	Недостатня подача вхідної води. Насос засмоктує повітря. Засмічена сітка водозабірника. Вихідна форсунка забита.	Увімкніть воду на повну силу – перевірте шланг на витюки та перегини. Перевірте герметичність шлангів і фітінгів. Вимкніть машину та продуйте насос, натиснувши і утримуючи курковий перемикач, доки з форсунки не почне витікати вода постійним потоком. Щоб усунути засмічення, змийте його водою. Видуйте або видаляйте сміття.
Немає мийного засобу.	Пляшка з мийним засобом порожня. Пляшка з мийним засобом неправильно під'єднана. Мийний засіб занадто густий. Всмоктувальні отвори для мийного засобу пошкоджені або забиті. Вихідна форсунка забита.	Додайте більше мийного засобу. Перевірте з'єднання. Переконайтеся, що пляшка з мийним засобом надійно встановлена на розпилювальній трубіці. Використовуйте мийні засоби, рекомендовані виключно для мийок високого тиску. Дотримуйтеся інструкцій виробника щодо змішування. Видальте забруднення або сміття та залийте теплу воду в всмоктувальні отвори для мийного засобу. Видуйте або видаляйте сміття. Пропустіть теплу воду через форсунку, щоб видалити сміття
З'єднувач садового шланга протікає.	Регулятор кількості розпилюваної речовини в закритому положенні. Послабте арматуру. Відсутня/зношена гумова шайба.	Налаштуйте кількість розпилюваної речовини за допомогою регулятора на пістолеті високого тиску. Затягніть арматуру. Замініть шайбу в перехіднику для шланга.
Всмоктувальний шланг не є самовсмоктувальним	Послабте арматуру. Фільтр занурений не повністю. Дайте насосу більше часу для заправлення.	Затягніть арматуру. Відрегулюйте поплавць і переконайтеся, що фільтр повністю покритий рідиною. На початку самозаправлення може тривати кілька хвилин. Переконайтеся, що пристрій увімкнений, а курковий перемикач натиснутий.
Розпилювальна трубка або подовжувач протікає.	Розпилювальна трубка не прикріплена належним чином. Зпамане ущільнювальне кільце.	Див. в темі Збирання розпилювальної трубки в розділі Збирання і регулювання . Зверніться до представника служби підтримки клієнтів компанії DEWALT за номером 1-800-4-DEWALT (1-800-433-9258).
Насос занадто шумний.	Насос засмоктує повітря.	Перевірте герметичність шлангів і фітінгів. Вимкніть машину та продуйте насос, натиснувши і утримуючи курковий перемикач, доки з форсунки не почне витікати вода постійним потоком.
Витік води з насоса.	Послабте арматуру. Водяні ущільнювачі пошкоджені або зношені.	Перевірте міцність затягнення усієї арматури. Зверніться до представника служби підтримки клієнтів компанії DEWALT за номером 1-800-4-DEWALT (1-800-433-9258).
Витік мастила.	Масяльні ущільнювачі пошкоджені або зношені.	Зверніться до представника служби підтримки клієнтів компанії DEWALT за номером 1-800-4-DEWALT (1-800-433-9258).
Двигун гуде, але не працює.	У системі є залишковий тиск. Мийка високого тиску не використовувалася тривалий час.	Вимкніть пристрій, натисніть курковий перемикач на розпилювальній трубіці, щоб зменшити тиск, а потім увімкніть пристрій. Зверніться до представника служби підтримки клієнтів компанії DEWALT за номером 1-800-4-DEWALT (1-800-433-9258).

DEWALT

ГАРАНТІЙНИЙ ТАЛОН

**3 РОКИ
ГАРАНТІЇ**

1. Вітаємо Вас з покупкою високоякісного виробу DEWALT і висловлюємо вдячність за Ваш вибір.
2. При покупці виробу вимагайте перевірки його комплекстності і справності у Вашій присутності, інструкцію з експлуатації та заповнений гарантійний талон українською мовою. В гарантійному талоні повинні бути внесені: модель, дата продажу, серійний номер, дата виробництва інструменту, назва, печатка і підпис торгової організації. За відсутності у Вас правильно заповненого гарантійного талону, а також при невідповідності зазначених у ньому даних ми будемо змушені відхилити Ваші претензії щодо якості даного виробу.
3. Щоб уникнути непорозумінь, переконливо просимо Вас перед початком роботи з виробом уважно ознайомитися з інструкцією з його експлуатації. Правовою основою справних гарантійних умов є чинне Законодавство. Гарантійний термін на даний виріб складає 36 місяці і обчислюється з дня продажу. У разі усунення недоліків виробу, гарантійний строк продовжується на період його перебування в ремонті. Термін служби виробу становить 5 років з дня продажу.
4. У разі виникнення будь-яких проблем у процесі експлуатації виробу рекомендуємо Вам звертатися тільки в уповноважені сервісні центри DEWALT, адреси та телефони яких Ви зможете знайти в гарантійному талоні, на сайті www.2helpU.com або дізнатися в магазині. Наші сервісні станції - це не тільки кваліфікований ремонт, але і широкий асортимент запчастин і аксесуарів.
5. Виробник рекомендує проводити періодичну перевірку і технічне обслуговування виробу в уповноважених сервісних центрах.
6. Наші гарантійні зобов'язання поширюються тільки на несправності, виявлені протягом гарантійного терміну і викликані дефектами виробництва та \ або матеріалів.
7. Гарантійні умови не поширюються на несправності виробу, що виникли в результаті:
 - 7.1. Недотримання користувачем приписів інструкції з експлуатації виробу, застосування виробу не за призначенням, неправильного зберігання, використання приладдя, витратних матеріалів і запчастин, що не передбачені виробником.
 - 7.2. Механічного пошкодження (відколи, тріщини і руйнування) внутрішніх і зовнішніх деталей виробу, основних і допоміжних рукояток, мережевого кабелю, що викликані зовнішнім ударним або будь-яким іншим впливом
 - 7.3. Потраплення у вентиляційні отвори та проникнення всередину виробу сторонніх предметів, матеріалів або речовин, що не є відходами, які супроводжують застосування виробу за призначенням, такими як: стружка, тирса, пісок, та ін.
 - 7.4. Впливу на виріб несприятливих атмосферних і інших зовнішніх факторів, таких як дощ, сніг, підвищена вологість, нагрівання, агресивне середовище, невідповідність параметрів електромережі, що зазначені на інструменті.
 - 7.5. Стихійного лиха. Пошкодження або втрати виробу, що пов'язані з непереборними лихами, стихійними явищами, у тому числі внаслідок дії непереборної сили (пожежа, блискавка, потоп і інші природні явища), а також внаслідок перепадів напруги в електромережі та іншими причинами, які знаходяться поза контролем виробника.
8. Гарантійні умови не поширюються:
 - 8.1. На інструменти, що піддавалися розкриттю, ремонту або модифікації поза уповноваженим сервісним центром.
 - 8.2. На деталі, вузли та матеріали, що мають сліди природного зносу, такі як: приводні ремені і колеса, вугільні щітки, мастило, підшипники, зубчасті зчеплення редукторів, гумові ущільнення, сальники, направляючі роликки, муфти, вимикачі, бойки, штовхачі, стовпи тощо.
 - 8.3. На змінні частини: патрони, цанги, затискні гайки і фланці, фільтри, ножі, шліфувальні підшви, ланцюги, зірочки, пильні шини, захисні кожухи, пилки, абразиви, пильні і абразивні диски, фрези, свердла, бури тощо
 - 8.4. На несправності, що виникли в результаті перевантаження інструменту (як механічного, так і електричного), що спричинили вихід з ладу одночасно двох і більше деталей і вузлів, таких як: ротора і статора, обох обмоток статора, веденої і ведучої шестерень редуктора або інших вузлів і деталей. До безумовних ознак перевантаження виробу відносяться, крім інших: поява кольорів мінливості, деформація або оплвлення деталей і вузлів виробу, потемніння або обуглювання ізоляції проводів електродвигуна під впливом високої температури.

Товар отриманий в справному стані, без видимих ушкоджень, в повній комплектації, перевірений у моїй присутності, претензій щодо якості товару не маю. З умовами гарантійного обслуговування ознайомлений і згоден.

П. І. Б. та підпис власника _____

Шановні клієнти, наша мережа авторизованих сервісних центрів постійно розширюється. Актуальну інформацію про обслуговування в місті, що цікавить вас, ви можете дізнатися на сайті

www.2helpU.com

Редакція ВК/12-12-2018

Інформація про інструмент

Найменування інструменту	
Модель	
Найменування продавця	
Дата продажу	

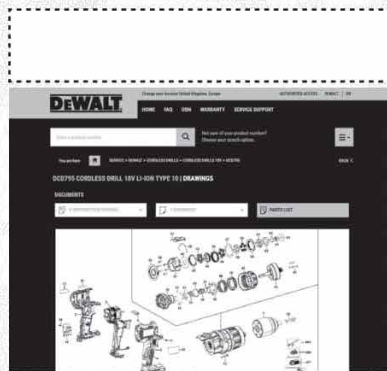
М.П.
Продавця

Серійний номер/Дата виробництва

Інструмент	
Зарядний пристрій	
Акумулятор 1	
Акумулятор 2	

На сайті www.2helpU.com доступні наступні функції:

- Список авторизованих сервісних центрів
- Зручний пошук найближчого сервісного центру
- Керівництво з експлуатації
- Технічні характеристики
- Список деталей і запасних частин
- Схема складання інструменту



**Також дану інформацію ви можете отримати, зателефонувавши за номером:
0 (800) 211 521 в Україні**

ВІДМІТКА ПРО ПРОВЕДЕННЯ СЕРВІСНОГО ОБСЛУГОВУВАННЯ

№1	№2	№3	№4
№ замовлення	№ замовлення	№ замовлення	№ замовлення
Дата прийому	Дата прийому	Дата прийому	Дата прийому
Дата ремонту	Дата ремонту	Дата ремонту	Дата ремонту
Печатка і підпис сервісного центру	Печатка і підпис сервісного центру	Печатка і підпис сервісного центру	Печатка і підпис сервісного центру

