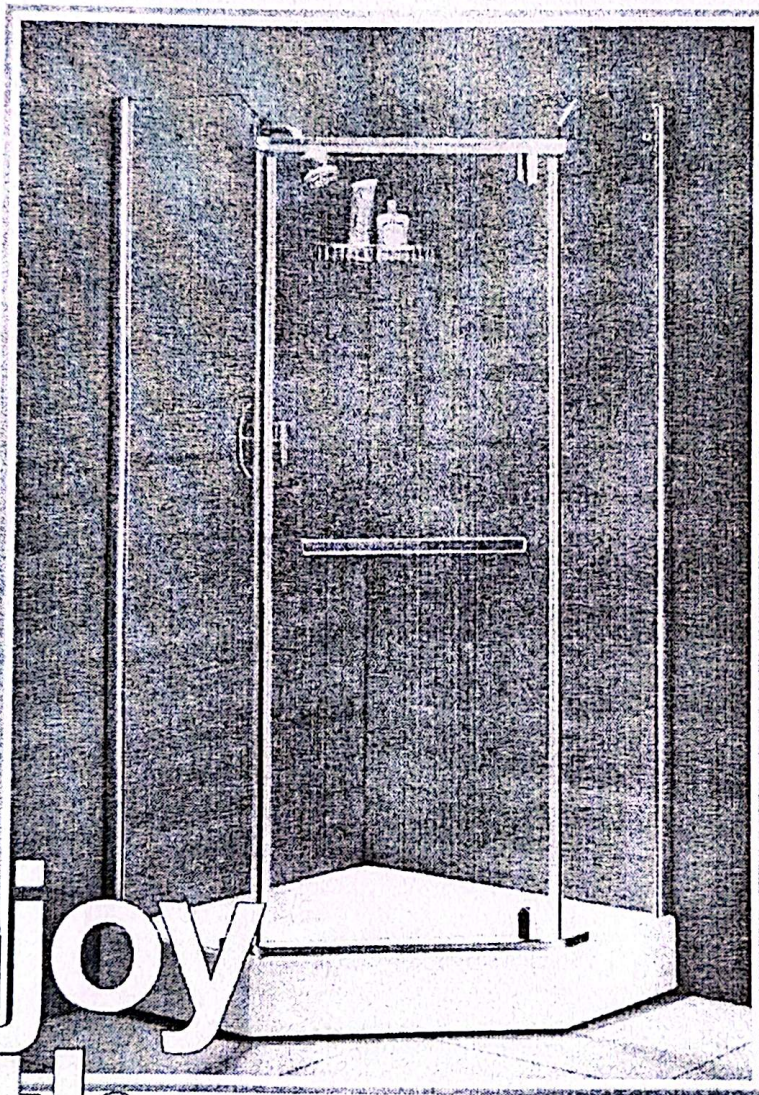


SHOWER ENCLOSURE

USING INSTRUCTIONS OF SHOWER ENCLOSURE



enjoy
bath
freely.

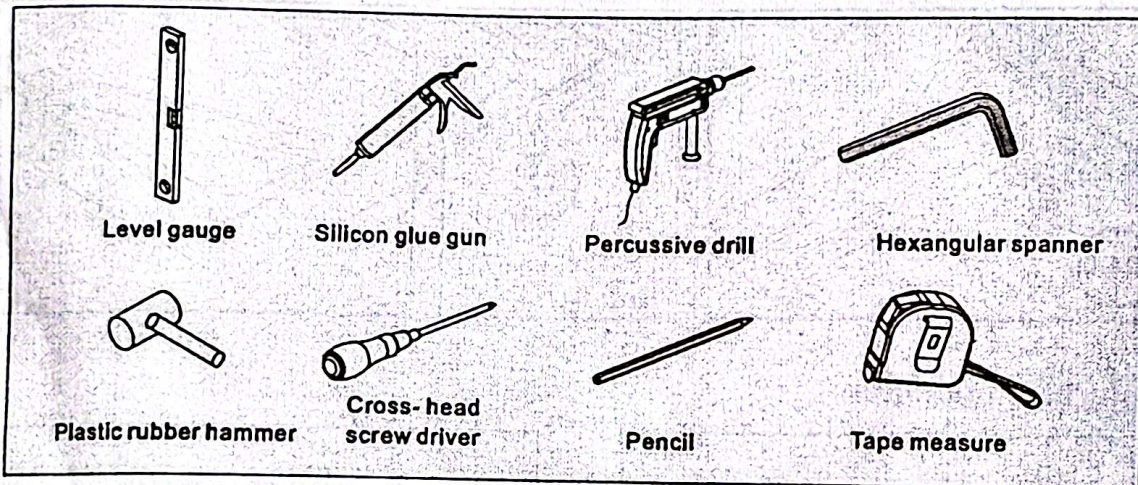
DP002/DP006
90*90*190CM

USING INSTRUCTIONS OF SHOWER ENCLOSURE

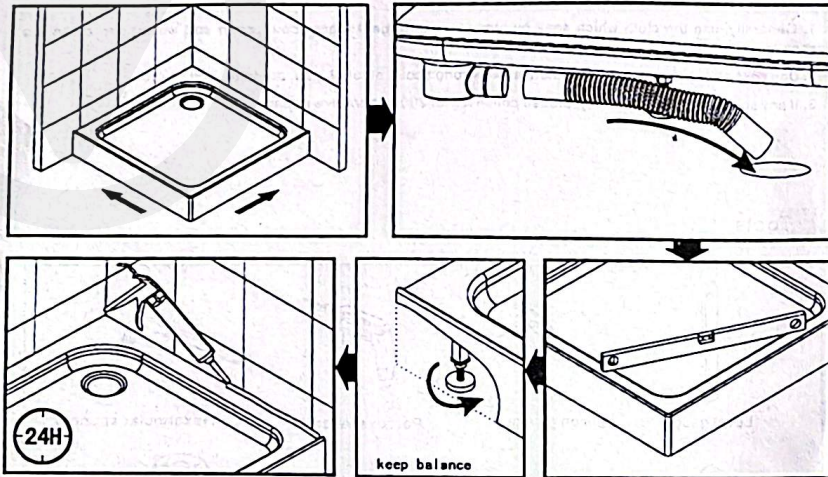
Clean and Maintenance

1. Generally, use the cloth which soak by litmusless detergent (light scour ,soap and water) can clean the shower enclosure.
2. Don't use strong deliquescent substance like strong scour, alcohol, gas, acetone, and so on.
3. If any scratch on the acrylic tray, please polish it with 2000# abrasive paper.

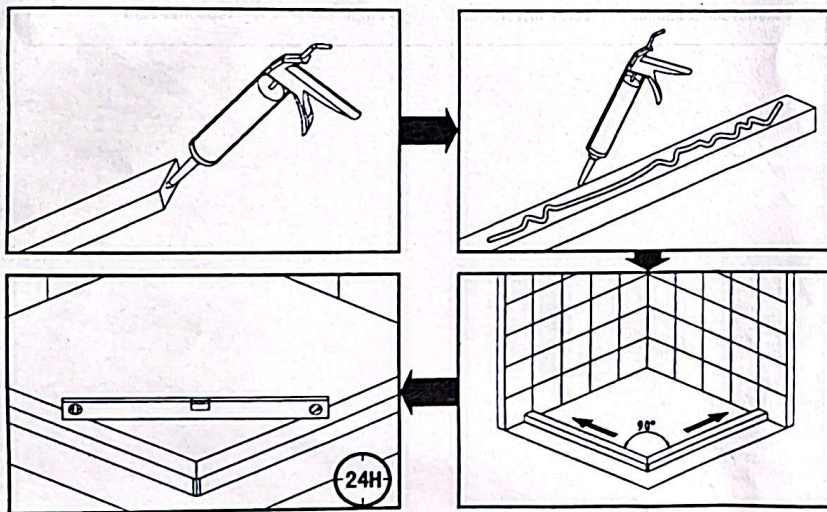
Tools



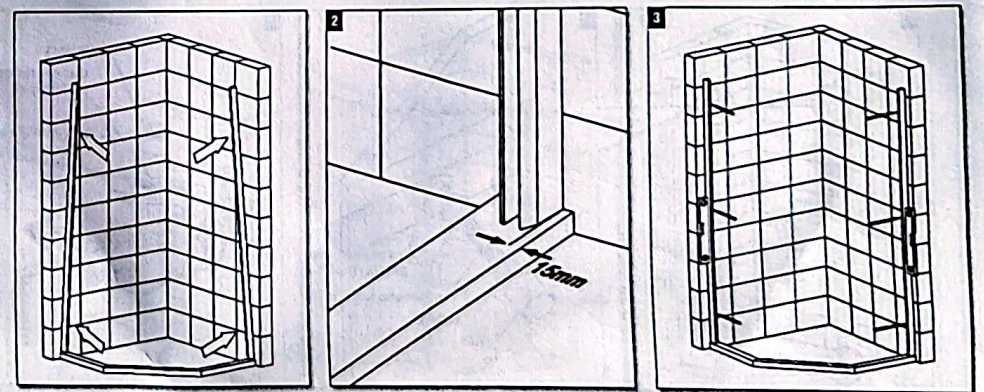
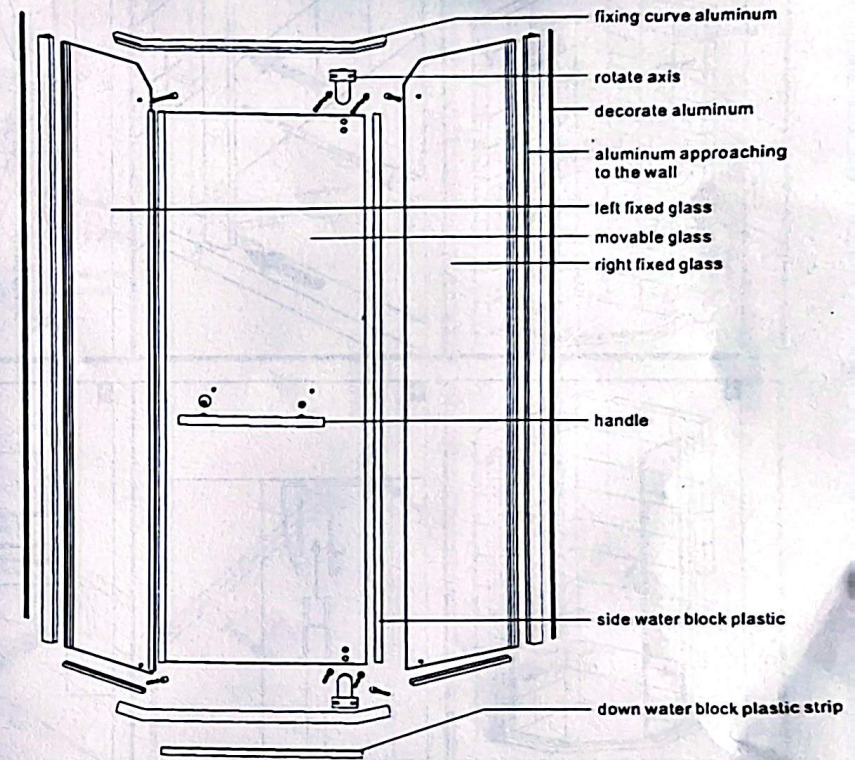
Shower tray installation

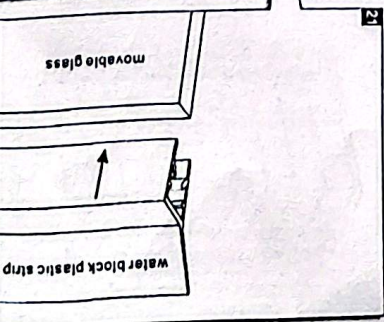
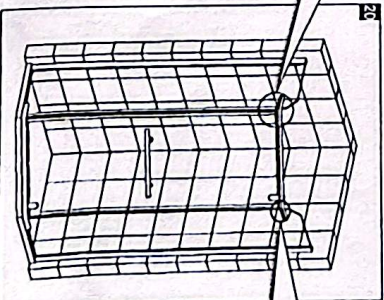
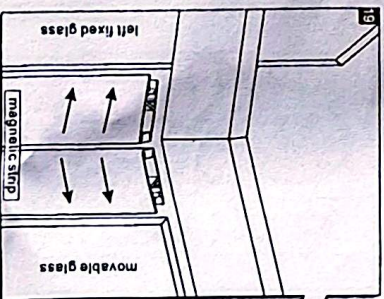
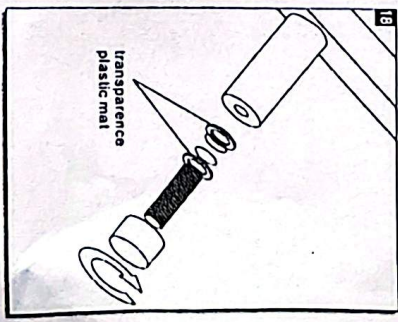
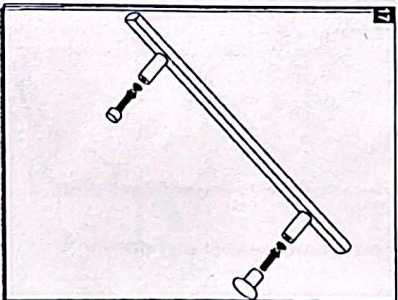
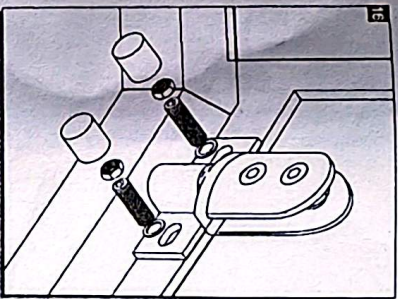
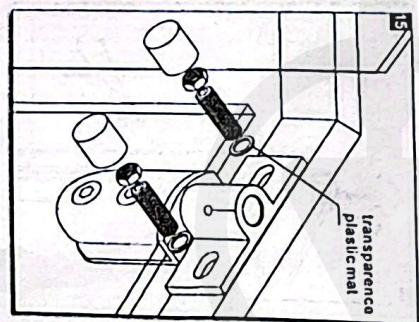
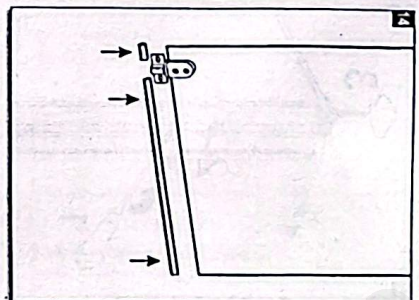
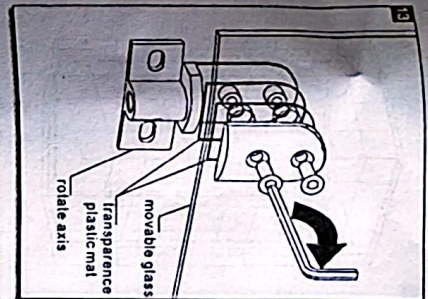
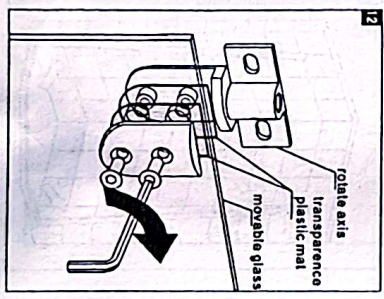
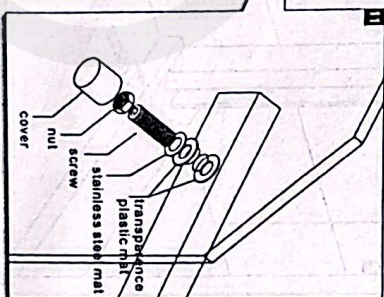
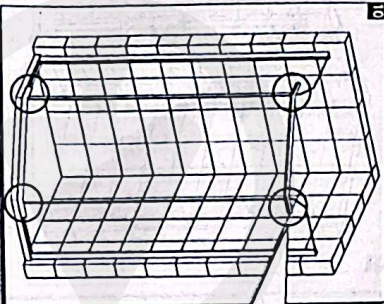
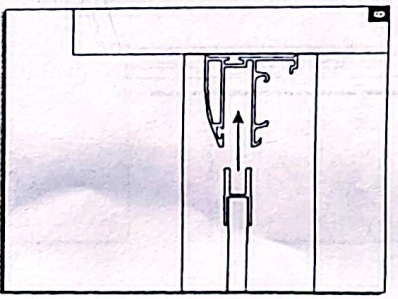
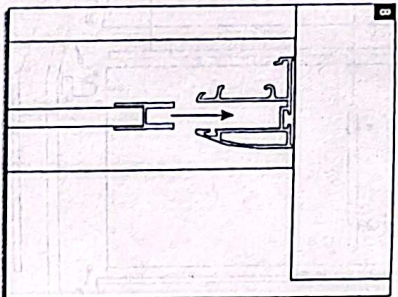
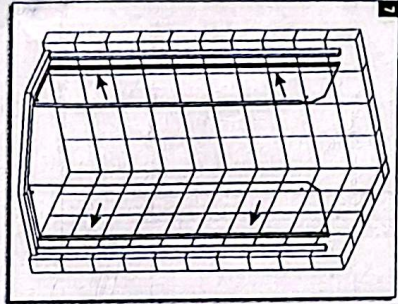
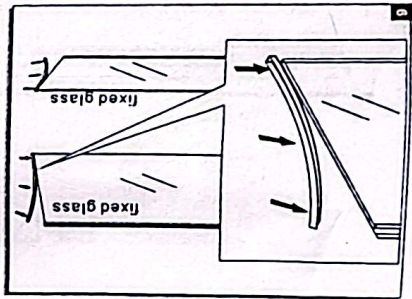
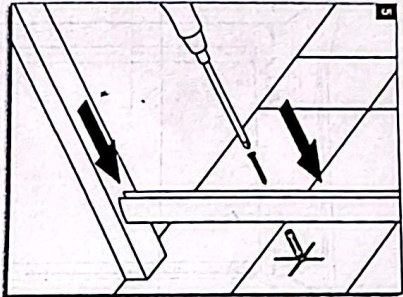
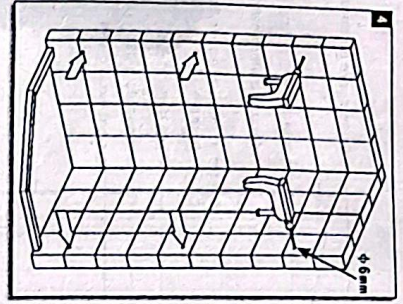


Marble installation

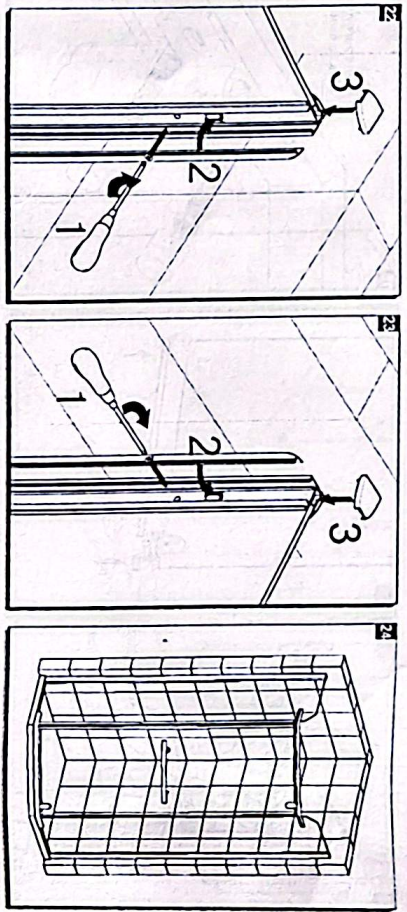


Installation

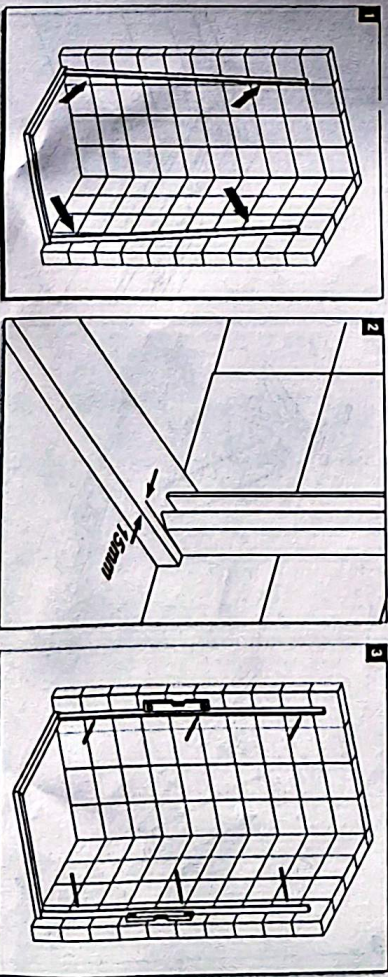
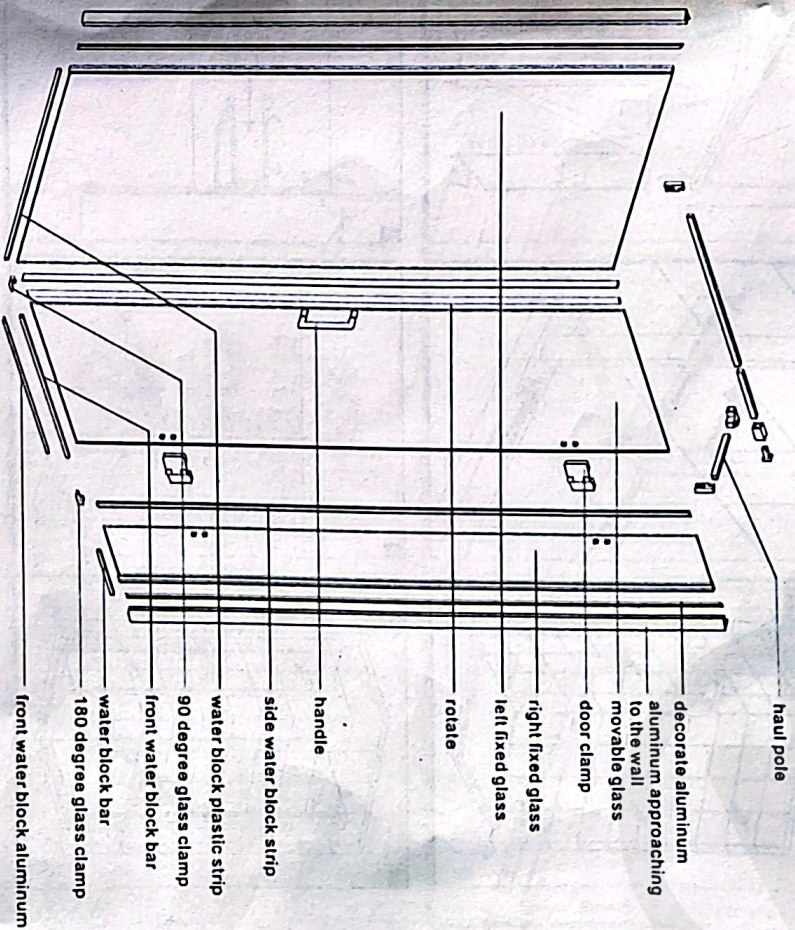


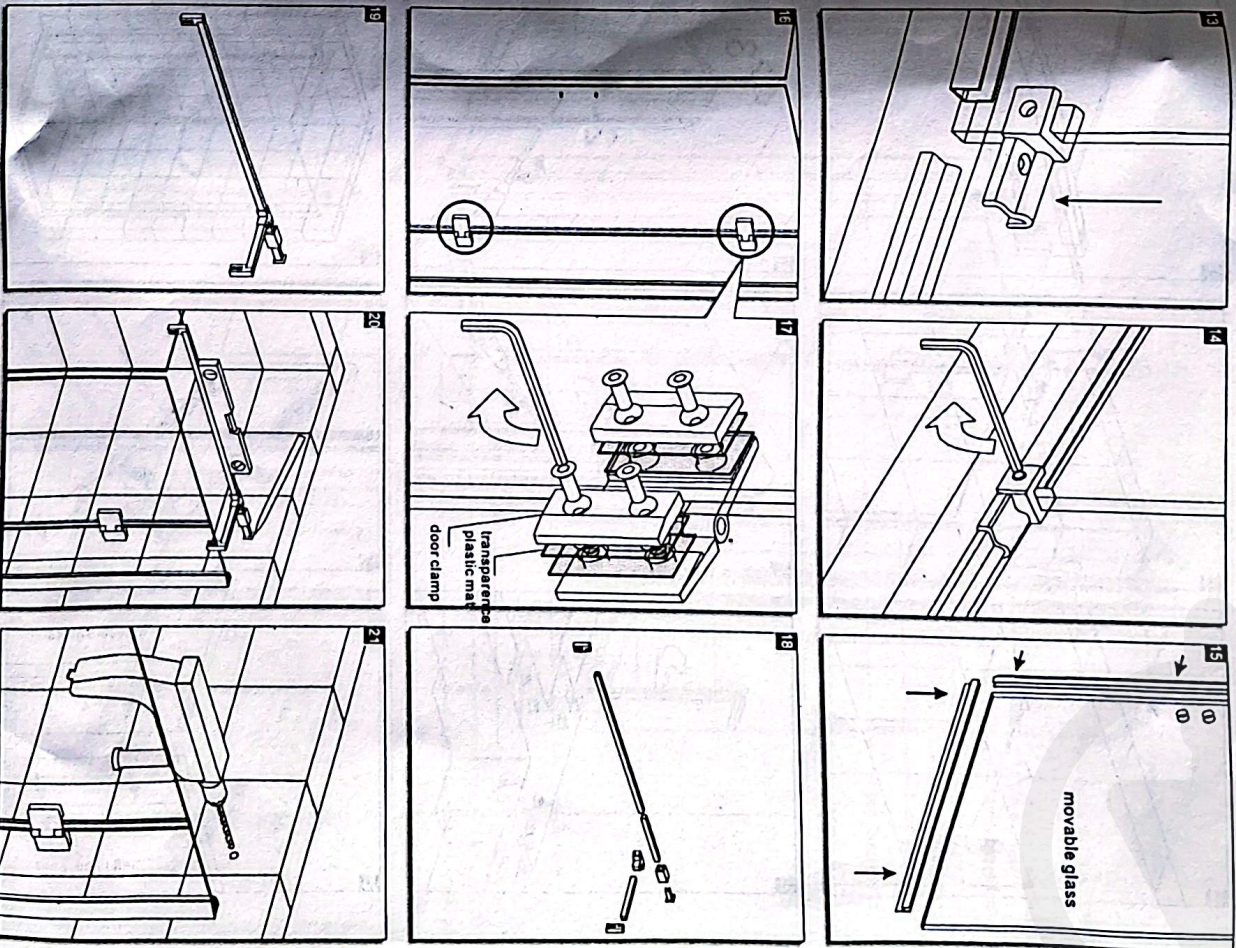
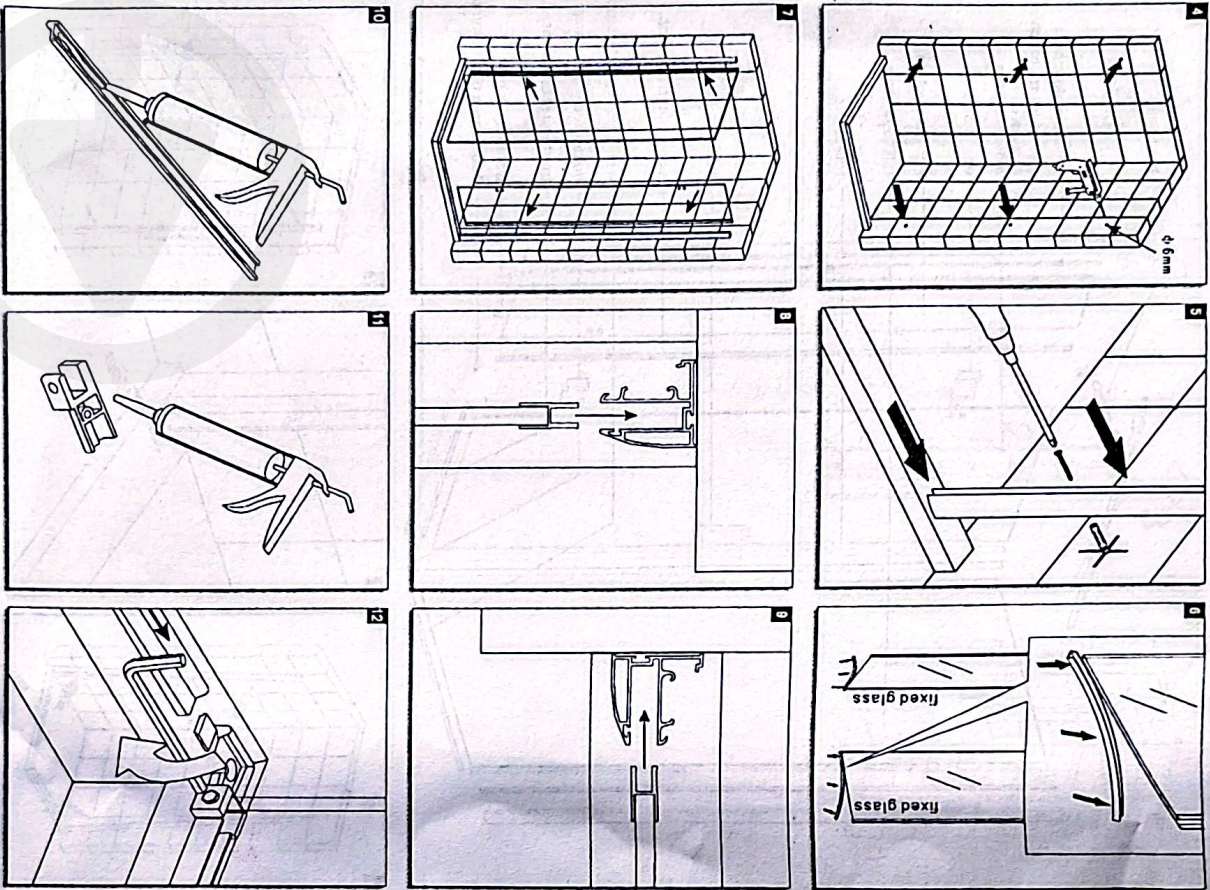


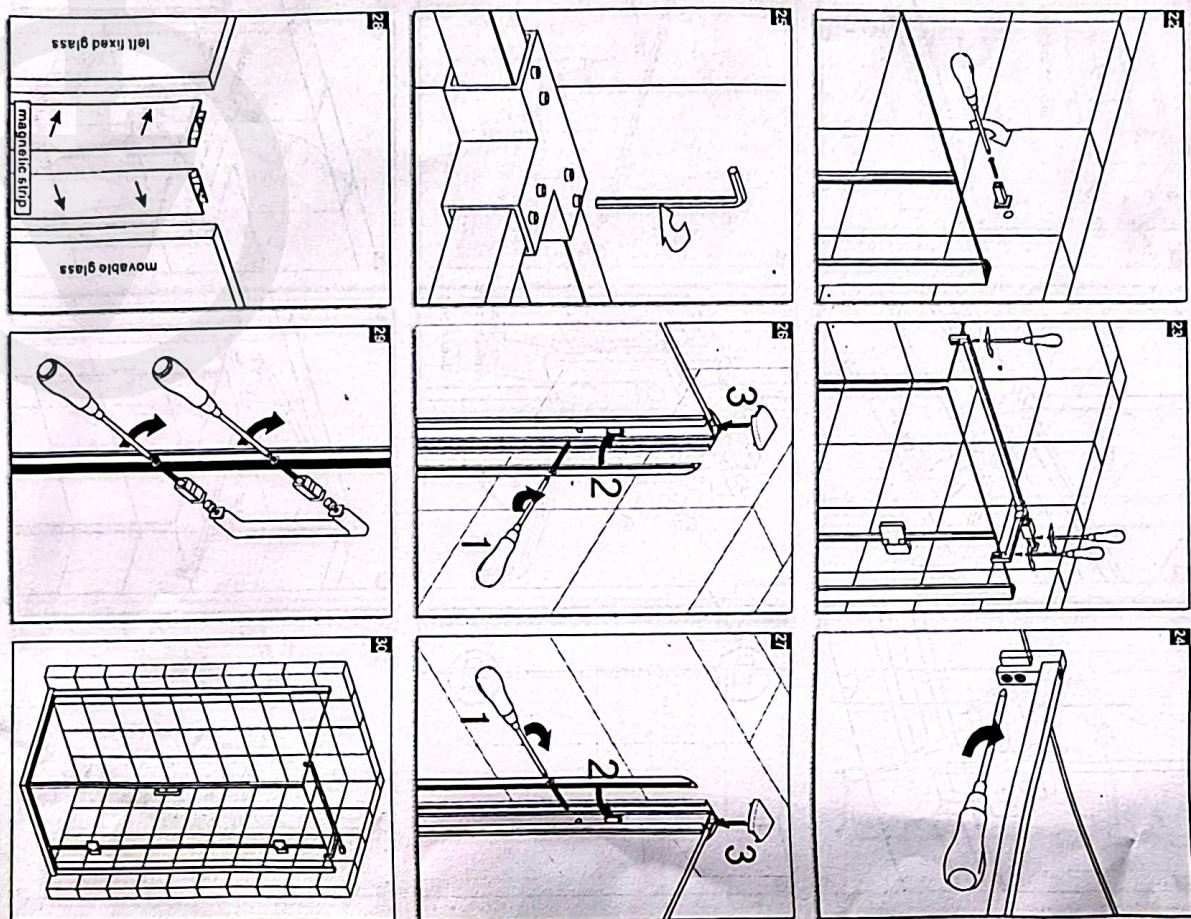
USING INSTRUCTIONS OF SHOWER ENCLOSURE



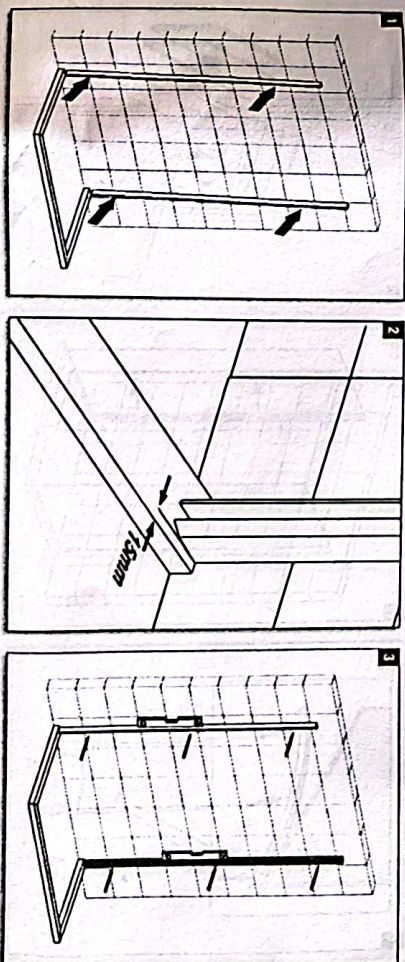
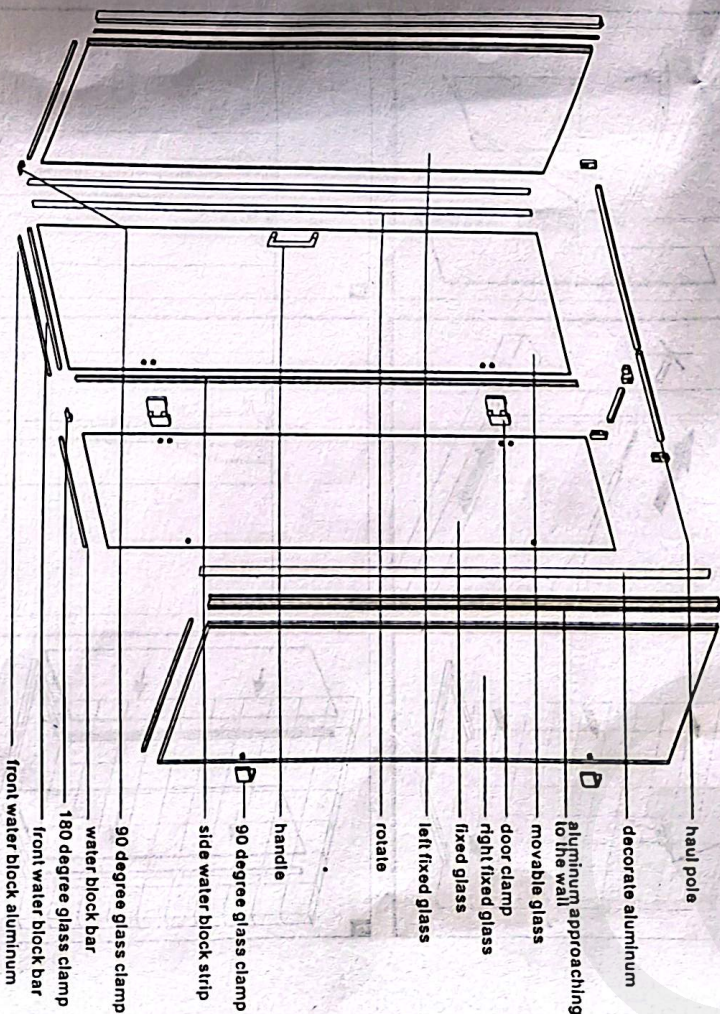
USING INSTRUCTIONS OF SHOWER ENCLOSURE







Installation



USING INSTRUCTIONS OF SHOWER ENCLOSURE

